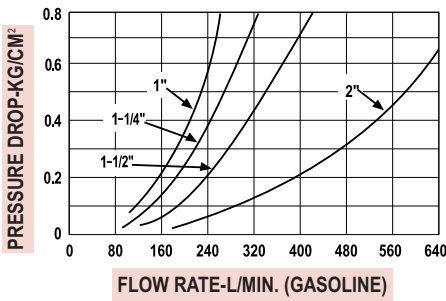
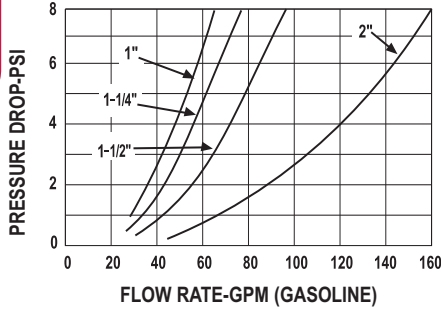


OPW 190 HIGH-FLOW NOZZLES

For High-Flow, Bulk Fuel Oil Delivery Service

Designed to handle high flow when line pressure is not a critical consideration or otherwise absorbed.



ONE COMPANY. ONE WORLD. ONE SOURCE.™

Materials

- Body:** cast aluminum
- Main Stem:** stainless steel
- Stem Seal:** Graphite with Teflon®
- Disc:** Viton®
- Spout:** OPW 296 brass or 297 aluminum (optional)



(Spout optional)

Features

- ◆ **Aluminum body** - lighter weight, easier to maneuver.
- ◆ **Dual poppets** - allow for low flow metering (this nozzle is not intended for high pressure pump applications).
- ◆ **Replaceable hold-open rack** - for use when fueling large-capacity tanks. Nozzle must be attended at all times during usage.
- ◆ **Right angle design** - provides larger lever area for better grip and easier control; permits nozzle to fit into awkward spaces close to walls and into corners.
- ◆ **Drag lugs** - protect the nozzle when dragged across rough surfaces; enhances long-life durability.
- ◆ **Easily replaced spout** - the spout is easily threaded into the body. Replacement spouts are readily available from OPW.
- ◆ **NPT female threads at inlet end** - standard pipe threads accept all standard 1", 1 1/4", 1 1/2" and 2" male connections.
- ◆ **Design working pressure** - OPW nozzles are designed to work at 50 PSI (3.45 bar) maximum pressure.

Ordering Specifications

Product #	Inlet Thread		Spout Diameter		lbs.	kg
	in.	mm	in.	mm		
190-0112	1"	25	1 1/4"	32	2.3	1.0
190-0113	1 1/4"	32	1 1/4"	32	2.3	1.0
190-0114	1 1/2"	38	1 1/2"	38	3.0	1.4
190-0115	2	51	2	51	5.8	2.6
190G-B104	1 1/2"	38	1 1/2"	38	5.1	2.3

w/ Spout and Ground Wire
Gov't. Nat'l. Stock #: 4930-01-360-5540

(G threads – call OPW for availability & pricing)



North America Toll Free – TELEPHONE: (800) 422-2525

Fax: (800) 421-3297 ♦ Email: domesticsales@opw-fc.com

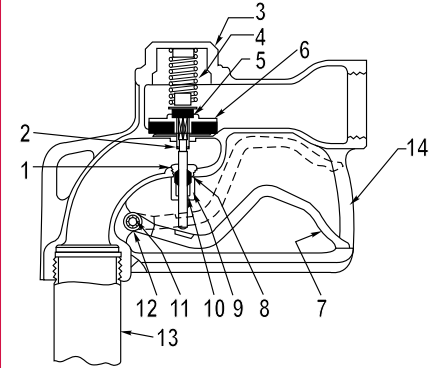
International – TELEPHONE: (513) 870-3315 or (513) 870-3261

Fax: (513) 870-3157 ♦ Email: intlsales@opw-fc.com ♦ www.opw-fc.com
9393 Princeton-Glendale Road ♦ Hamilton, OH 45011

NOTE: See OPW's Website at: www.opw-fc.com for product instruction sheets, trouble-shooting guides, how-to-use guide and to view the Do's & Don'ts at the Gas Pump video.

Replacement Parts - OPW 190 Nozzles

Key	Part #	Description	190-0112	190-0113	190-0114	190-0115	190-B104
1	H00195RB	Stuffing Box	•	•	•		•
1	H00250RB	Stuffing Box				•	
2	H00538RE	Stem	•	•	•		
2	H06742RE	Stem				•	
3	H09600AH	Cap	•	•	•		
3	H09601AH	Cap				•	
3	H11592AH	Cap					•
4	H00136M	Spring	•	•	•		•
4	H03666M	Spring				•	
5	190K-0001	Upper Poppet S/A	•	•	•		•
5	H01814	Upper Poppet S/A				•	
6	H01817	Lower Poppet S/A	•	•	•		•
6	H01818	Lower Poppet S/A				•	
7	H11925M	Lever	•	•	•		•
7	H06733M	Lever				•	
8	C04495M	Packing	•	•	•	•	•
9	H07012M	Packing Gland	•	•	•		•
9	H00520RB	Packing Gland				•	
10	H00113RA	Packing Nut	•	•	•		
10	H00252RA	Packing Nut				•	
10	H00113RAG	Packing Nut					•
11	H08163M	Push Nut	•	•	•	•	•
12	H08164RE	Pin	•	•	•		•
12	H08165RE	Pin				•	
13	297-9020	Spout, (optional)	•	•			
13	297-9030	Spout, (optional)			•		
13	297-9040	Spout, (optional)				•	
13	296-0040	Spout, Brass (optional)		•			
13	296-0060	Spout, Brass (optional)			•		
13	296-0080	Spout, Brass (optional)			•		
14	C04698M	Rack	•	•	•	•	•
14	H14105M	Screw	•	•	•	•	•
Not Shown							
	296CA-4000	Dust Cap					•
	153-0910	Strainer					•



Important

FlexWorks by OPW, Inc., VAPORSAVER™ and all other OPW products must be used in compliance with all applicable federal, state, provincial and local laws, rules and regulations. Product selection must be based on physical specifications and limitations, compatibility with the environment and material to be handled. All illustrations and specifications in this literature are based on the latest production information available at the time of publication. Prices, materials and specifications are subject to change at any time, and models may be discontinued at any time, in either case, without notice or obligation. OPW warrants solely to its customer that the following products sold by OPW will be free from defects in materials and workmanship under normal use and conditions for the periods indicated.

REPLACEMENT SPOUTS

Ordering Specifications

Product #	Size		O.D.		Length		Weight		Used On	Description
	in.	mm	in.	mm	in.	mm	lbs.	kg		
296-0040	1 1/4" (NPT)	32	1 3/8"	35	9"	229	0.90	0.41	190-0113; 210-0104	Brass
296-0060	1 1/2" (NPT)	38	1 3/8"	35	9"	229	0.98	0.45	190-0114; 210-0105	Brass
296-0080	1 1/2" (NPT)	38	1 5/8"	41	9"	229	1.05	0.48	190-0114; 210-0105	Brass
297-9020	1 1/4" (NPT)	32	1 21/32"	42	8"	203	0.50	0.23	190-0113; 210-0104; 295SC-0139	Aluminum
297-9030	1 1/2" (NPT)	38	1 29/32"	48	8"	203	0.60	0.27	190-0114; 210-0105; 295SC-0141	Aluminum
297-9040	2" (NPT)	51	2 3/8"	60	8"	203	0.80	0.36	190-0115	Aluminum
297SA-9050	1 1/4" (NPSM)	32	1"	25	9"	229	0.60	0.27	295SA-0135,0136,0137	Aluminum
297SA-9060	1 1/2" (NPSM)	38	1 5/8"	41	7"	178	0.80	0.36	295SA-0138	Aluminum
696J-7010	1 1/2" (NPSM)	38	2 1/2"	54	7 1/4"	184	0.80	0.36	295SAJ-0200	Aluminum



Note: See OPW Environmental Products Section of this catalog for spout adaptors used with OPW 61Stop AST Overfill Prevention Valve.

Important

FlexWorks by OPW, Inc., VAPORSAVER™ and all other OPW products must be used in compliance with all applicable federal, state, provincial and local laws, rules and regulations. Product selection must be based on physical specifications and limitations, compatibility with the environment and material to be handled. All illustrations and specifications in this literature are based on the latest production information available at the time of publication. Prices, materials and specifications are subject to change at any time, and models may be discontinued at any time, in either case, without notice or obligation. OPW warrants solely to its customer that the following products sold by OPW will be free from defects in materials and workmanship under normal use and conditions for the periods indicated.