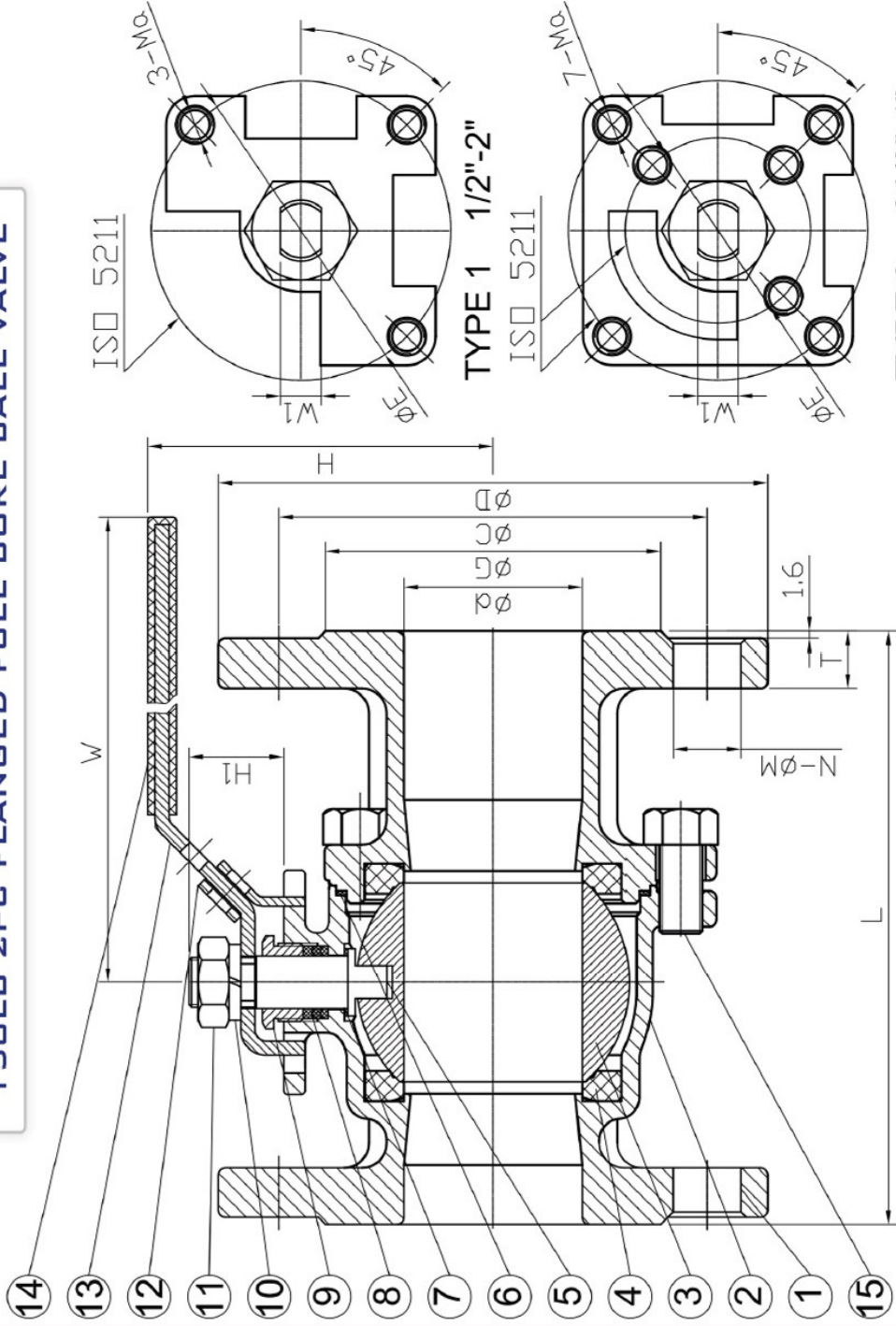


### 150LB 2PC FLANGED FULL BORE BALL VALVE

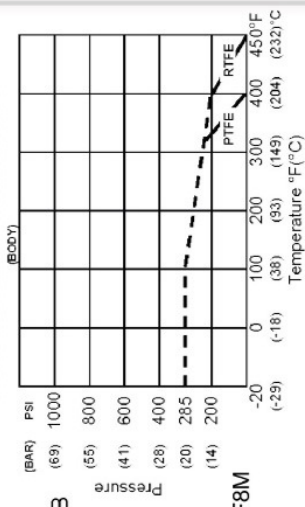


NO. PART NAME	MATERIAL
1 BODY	CF8M 316
2 CAP	CF8M 316
3 BALL	CF8M 316
4 SEAT	PTFE
5 STEM	SUS316
6 GASKET	PTFE
7 THRUST WASHER	PTFE
8 PACKING	PTFE
9 GLAND	SUS304
10 SPRING WASHER	SUS304
11 STEM NUT	SUS304
12 LOCKING DEVICE	SUS304
13 HANDLE	SUS304
14 PLASTIC COVER	PLASTIC
15 BOLT	SUS304

#### FEATURES:

- FACE TO FACE DIMENSION: ANSI B16.10
- END FLANGE DIMENSION: ANSI B16.5 150LB
- TEST: API 598
- WITH ISO 5211 MOUNTING PAD
- INVESTMENT CASTING BODY
- BLOW-OUT PROOF STEM / FULL PORT
- LEVER OPERATED
- MATERIAL: STAINLESS STEEL 316/A351Gr-CF8M
- LOCKABLE HANDLE

#### PRESSURE TEMPERATURE RATINGS



SIZE NB	PART No	d	C	G	T	N- M	L	H	H1	W	W1	ISO 5211	E	MA	Kg
1/2	FLBV15008	15	89	60.5	35	12.1	4- 16	108	72	16.5	123	F03	36	M5	1.8
3/4	FLBV15012	20	98	70	43	12.1	4- 16	117	76	16.5	123	F03	36	M5	2.5
1	FLBV15016	25	108	79.5	51	12.1	4- 16	127	92	23.5	183	F04	42	M5	4.0
1 1/4	FLBV15020	32	117	89.5	64	12.7	4- 16	140	95	21.0	153	F04	42	M5	5.7
1 1/2	FLBV15024	40	127	98.5	73	14.3	4- 16	165	125	37.5	246	F07	70	M8	7.5
2	FLBV15032	50	152	120.5	92	15.9	4- 19	178	132	37.5	246	F07	70	M8	10.6
2 1/2	FLBV15040	65	178	139.5	105	17.5	4- 19	190	166	47.0	285	F07-F10	70-102	M10	13.5
3	FLBV15048	80	190	152.5	127	19.1	4- 19	203	176	47.0	285	F07-F10	70-102	M10	19.8
4	FLBV15064	100	229	190.5	157	23.9	8- 19	229	189	47.0	385	F07-F10	70-102	M10	26.0