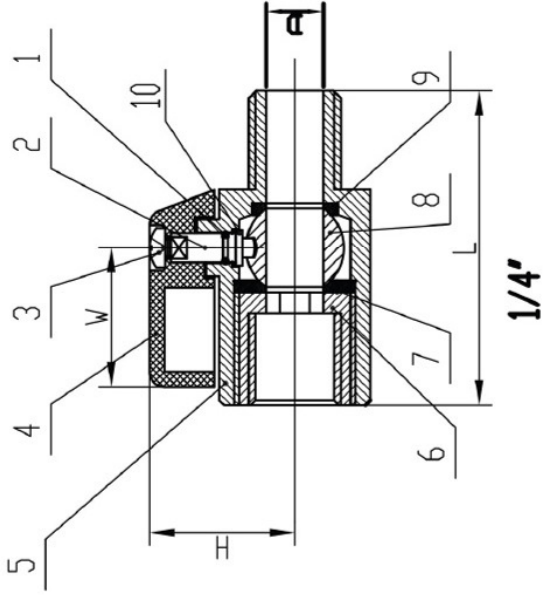
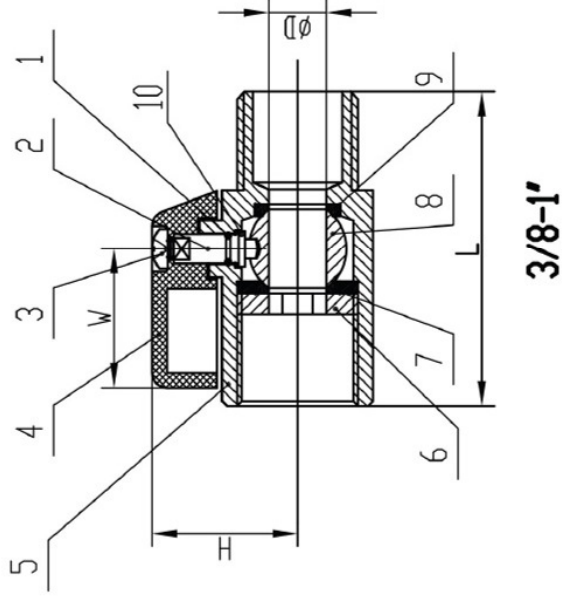


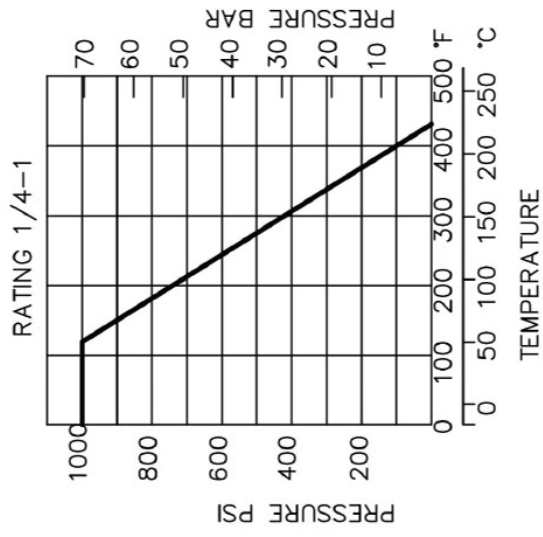
### MINI MALE/FEMALE REDUCED BORE BALL VALVE BSPP



NO.	PART NAME	MATERIAL	QTY
1	O-RING	VITON	1
2	STEM	304	1
3	BOLT	304	1
4	LEVER	ALUMINUMALLOY	1
5	BODY	CF8M / CF8	1
6	CAP	CF8M / CF8	1
7	BALL SEAT(A)	15% R-PTFE	1
8	BALL	CF8M / CF8	1
9	BALL SEAT(B)	15% R-PTFE	1
10	THRUSE WASHER	PTFE	1



Size: 1/4" - 1"  
 Reduced bore  
 Threaded ends: ISO 228/1 BSPP  
 Material: CF8M  
 Pressure rating 1000PSI(WOG)  
 Compact handle



SIZE BSPP	PART No	D	L	H	W	Kg
1/4	MINI/MFRBV04	8	39	26.5	22.8	0.075
3/8	MINI/MFRBV06	8	41	26.5	22.8	0.083
1/2	MINI/MFRBV08	9.2	46	28.3	22.8	0.116
3/4	MINI/MFRBV12	12.5	55	31.5	22.8	0.195
1	MINI/MFRBV16	15	65	34	22.8	0.297