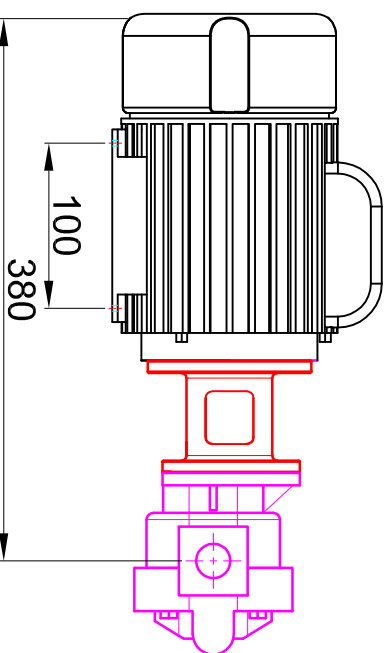
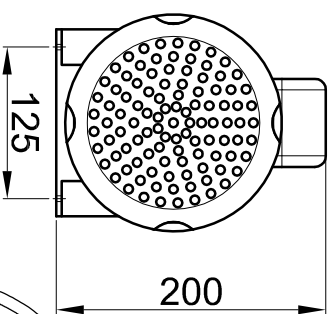


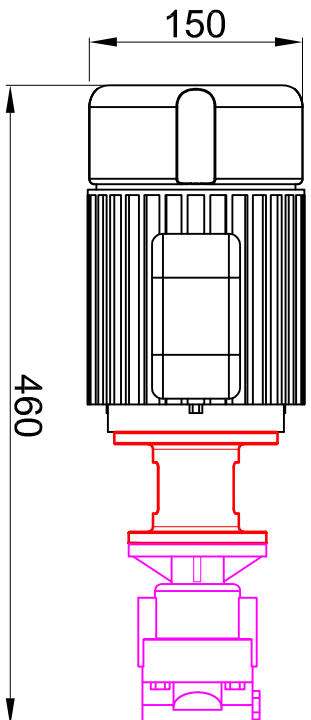
RIGHT SIDE VIEW



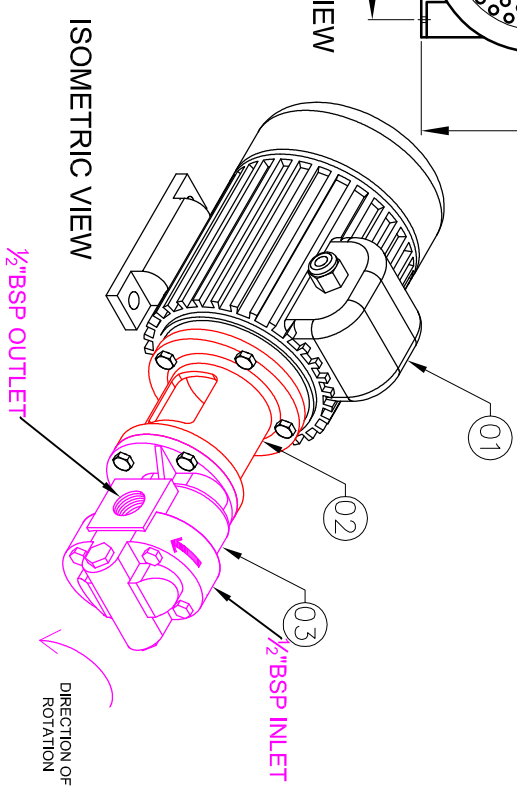
FRONT VIEW



LEFT SIDE VIEW



TOP VIEW



ISOMETRIC VIEW

SR.NO	ITEM	QTY
03	PUMP 20 LPM	01
02	BELL HOUSING	01
01	MOTOR 0.75 HP, 4P, B34 (3 PHASE)	01

BILL OF MATERIALS

Alteration Area	Permissible Deviations	Surface Finish	Scale	Weight
			N.T.S.	15 Kg.

Date	Name	Description
10.07.16	HEMANT	Material Raw Material
10.07.16	RAVINDRA	Die No.:
10.07.16	A.P.G.	

Pump Motor Assy
0.75 HP-20 LPM

Sheet
1 OF 1

