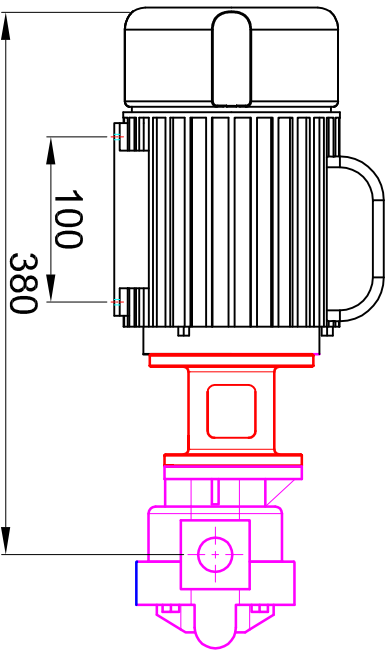
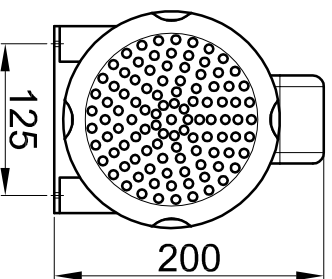


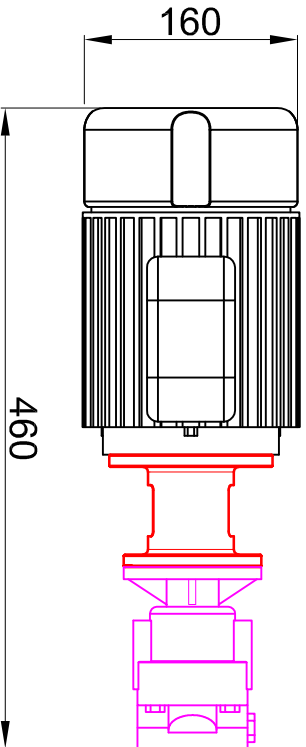
RIGHT SIDE VIEW



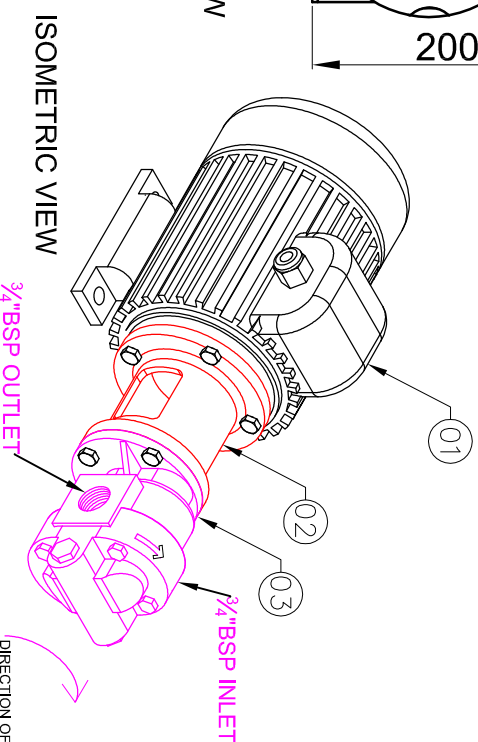
FRONT VIEW



LEFT SIDE VIEW



TOP VIEW



ISOMETRIC VIEW

SRNO.	ITEM	QTY
03	PUMP 30 LPM	01
02	BELL HOUSING	01
01	MOTOR 1 HP, 4P, B34 (3 PHASE)	01

BILL OF MATERIALS

Alteration Area	Permissible Deviations	Surface Finish	Scale	Weight
			N.T.S.	17 Kg.

Date	Name	Material / Raw Material
10.07.16	HEMANT	
10.07.16	RAVINDRA	
10.07.16	A.P.G.	

Pump Motor Assy
1 HP, 3Phase + 30 LPM

Alteration	Date	Name	Belongs to	Substitutes	Drawing No.

Sheet
1 OF 1