

Electronic pressure regulators

 Domestic use



PERFORMANCE RANGE

- Max flow rate: **200 l/min** (12 m³/h)
- Working pressure: **10 bar**
- Restarting pressure: **1.5 bar**

APPLICATION LIMITS

- Maximum liquid temperature **+50 °C**
- Ambient temperature up to **+40 °C**
- Burst pressure **40 bar**
- Protection: **IP 65**
- Voltage: **230 V** - Frequency: **50/60 Hz**
- Max current:
 - **12 A** EASYSMALL-1
 - **16 A** EASYSMALL-2

PERFORMANCE DATA

MODEL	POWER (P ₂)		Volt	Hz	Current
	Single-phase	kW			
EASYSMALL-1	0.75	1	230	50/60	12 A
EASYSMALL-2	1.5	2	230	50/60	16 A

CONSTRUCTION AND SAFETY STANDARDS

- Tropicalised resinated and easily replaced electronic card for complete protection from humidity, fitted in the case with an IP 65 protection.
- The electronic card inside the EASYSMALL has undergone the strictest EMC tests of electromagnetic compatibility (low emission of interference and a high immunity to disturbance) as a guarantee of its reliable use everywhere.

INSTALLATION AND USE

Flow and pressure sensing device for control and protection of single-phase pumps up to 2 HP (for domestic applications). It starts the pump when there is a drop in system pressure (e.g. when opening a tap) and stops the pump when the flow drops below 2 l/min (tap closed).

PATENTS - TRADE MARKS - MODELS

- Registered EU Design n. 001774928
- EASYSMALL® registered Trade Mark n. 0001511131

OPTIONS AVAILABLE ON REQUEST

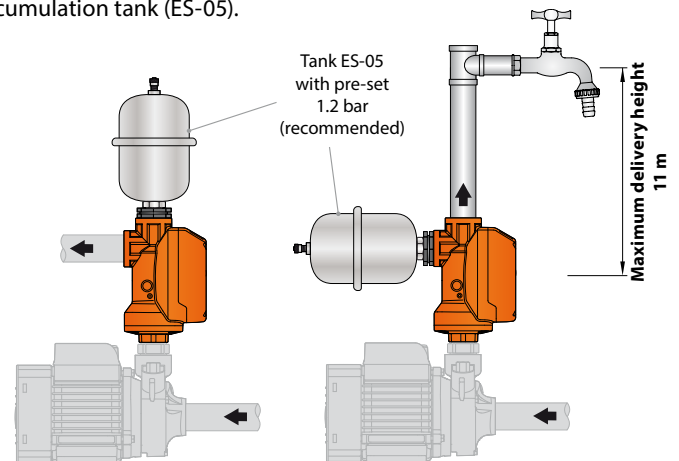
- Version with pressure gauge

GUARANTEE

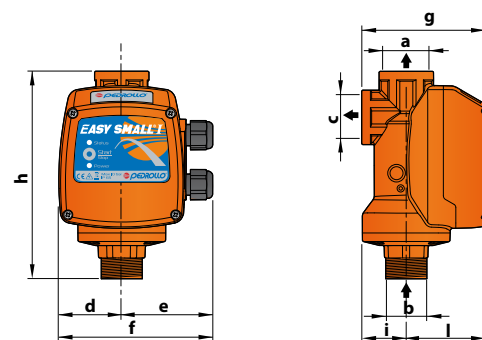
2 years subject to terms and conditions

STANDARD INSTALLATION

In order to avoid frequent restarts we advise installing a small accumulation tank (ES-05).



DIMENSIONS AND WEIGHT



MODEL	PORTS			DIMENSIONS mm						kg	
	a	b	c	d	e	f	g	h	i		l
EASYSMALL 1-2	1"	1"	1"	56	74	130	100	170	36	64	0.7

ACCESSORIES

- **ES-05** Stainless steel 0.5 litre tank (1")
- **GSR** Special three piece joint with an o-ring seal (1" M)

