

Customer Product Standard
SJ-CPS-175X108X292-T1.4PUN

5L Container, 175x108x292mm - 59mm Screw Neck (Soldered) and Wadded Cap + Innerseal, 10 per Pack: C.O.D.G.Certification - UN Group II and III

Approved
Metric
English

Note

Data is supplied expressly for Huber customers. All information contained herein is confidential and not to be reproduced, copied or disclosed to others.

Revision Comments

Print Area Drawing improvements.

Plants
Aintree

Operations

0	Container Specification	3	Cans on 1300x1120 Pallet
2	Print Area		

Issue Date: 22 Oct 2009
Version Number: 4
Supersedes Issue Dated: 15 Oct 2009

Authorised By:
Issued By:
Prepared By:



This information is confidential and provided for use by Huber customers only.

Data must not be disclosed to any other parties.

Date Published 18 Jan 2010

Customer Product Standard
SJ-CPS-175X108X292-T1.4PUN

Approved
Metric

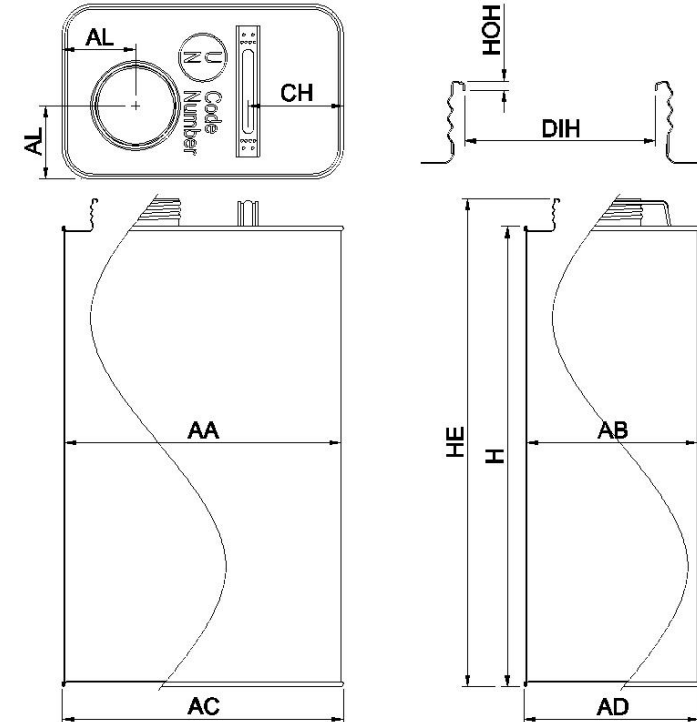
5L Container, 175x108x292mm - 59mm Screw Neck (Soldered) and Wadded Cap + Innerseal, 10 per Pack: C.O.D.Certification - UN Group II and III

0 Container Specification

English

Container Features

Feature	Specification
Nominal Volume	5000 ml
Gross Lidded Capacity	5450 ml
Container Weight	413 g
Body Material	0.23 mm
Top End Material	0.30 mm
Bottom End Material	0.30 mm



Container Dimensions

Item	Feature	Specification	Tolerance
HE	Overall Height	308.00	±1.00
H	Container Height over Seams	292.00	±1.00
AA	Body Internal Dimension (major axis)	175.00	
AB	Body Internal Dimension (minor axis)	108.00	
AC	Over Seam Dimension (major axis)	178.00	-max
AD	Over Seam Dimension (minor axis)	111.00	-max
CH	Handle Position	60.25	-max
AL	Aperture Location	46.50	±0.50
DIH	Aperture Opening Inside Diameter	48.38	+0.00 -0.05
HOH	Skirt Depth	5.00	±0.50

Note

- Container size to BS 5740.
- Screw neck to BS 6499.
- Welded side seam.
- Only the following closure references are UN certified:
- Bericap 59mm Tinplate Screw Cap fitted with Wad
- Bericap 59mm Tinplate or 'Ferrolite' Innerseal

Container Marking and Performance

Feature	Specification
Issue Date:	22 Oct 2009
Version Number:	4
Supersedes Issue Dated:	15 Oct 2009
Authorised By:	
Issued By:	
Prepared By:	



This information is confidential and provided for use by Huber customers only.

Data must not be disclosed to any other parties.

Date Published 18 Jan 2010

Customer Product Standard
SJ-CPS-175X108X292-T1.4PUN

Approved
Metric

5L Container, 175x108x292mm - 59mm Screw Neck (Soldered) and Wadded Cap + Innerseal, 10 per Pack: C.O.D.G.Certification - UN Group II and III

0 Container Specification

English

Container Marking and Performance

Feature	Specification
UN Packaging Marking	UN 3A1/Y 1.2/150/**F/HP6/LRM M027
Drop Test	1.2 metres
Stack Test	3.0 metres at Relative Density of 1.2
Hydraulic Pressure Test	150 kPa

Note

** Year of manufacture.

Issue Date: 22 Oct 2009
Version Number: 4
Supersedes Issue Dated: 15 Oct 2009

Authorised By:
Issued By:
Prepared By:



This information is confidential and provided for use by Huber customers only.

Data must not be disclosed to any other parties.

Date Published 18 Jan 2010

Customer Product Standard
SJ-CPS-175X108X292-T1.4PUN

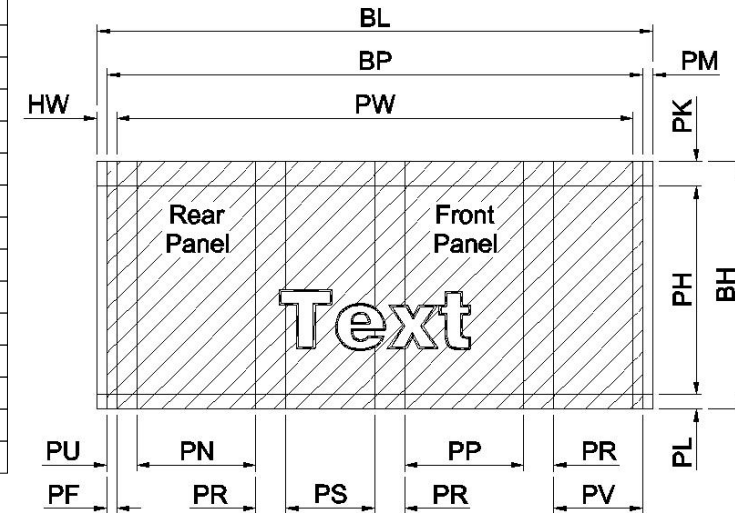
Approved
 Metric
 English

5L Container, 175x108x292mm - 59mm Screw Neck (Soldered) and Wadded Cap + Innerseal, 10 per Pack: C.O.D.Certification - UN Group II and III

2 Print Area

Print Dimensions

Item	Feature	Specification
BL	Body Blank Length	532.74
BH	Body Blank Height	295.50
BP	Print Length	524.00
PM	Print Margin	4.37
PF	Print without Text	1.50
PW	Detail Print Width	521.00
HW	Detail Print Width Margin	5.87
PH	Detail Print Height	283.50
PK	Top Text Free Area	6.00
PL	Bottom Text Free Area	6.00
PP	Print Front Panel	138.00
PN	Print Rear Panel	138.00
PS	Printed Side Panel	71.00
PR	Printed Corner Radius	29.00
PU	Printed Part Radius	28.00
PV	Printed Side Panel	62.00



Issue Date: 22 Oct 2009
 Version Number: 4
 Supersedes Issue Dated: 15 Oct 2009

Authorised By:
 Issued By:
 Prepared By:



Date Published 18 Jan 2010

This information is confidential and provided for use by Huber customers only.

Data must not be disclosed to any other parties.

Customer Product Standard
SJ-CPS-175X108X292-T1.4PUN

Approved
Metric

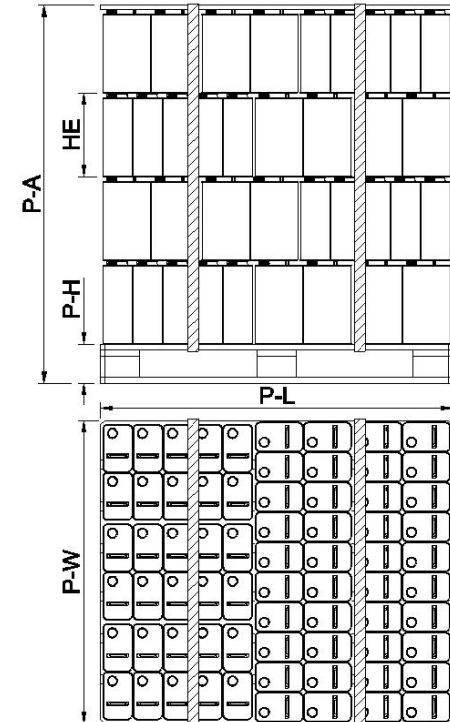
5L Container, 175x108x292mm - 59mm Screw Neck (Soldered) and Wadded Cap + Innerseal, 10 per Pack: C.O.D.Certification - UN Group II and III

3 Cans on 1300x1120 Pallet

English

Container and Pallet Dimensions

Item	Feature	Specification
HE	Overall Height	308.00
P-A	Pack Height	1385
P-L	Pallet Length	1300
P-W	Pallet Width	1120
P-H	Pallet Height	100
P-I	Top Cover Length	1300
P-J	Top Cover Width	1120
P-K	Top Cover Depth	15



Container Loading

Feature	Specification
Volume of Loaded Pallet	2.02 m3
Weight of Pallet	tbc
Complete Pack Weight	tbc
Number of Containers per Shrink Pack	10
Number of Shrinkwraps per Layer	7
Number of Containers per Layer	70
Number of Layers	4
Number of Layer Pads	5
Number of Shrinkwraps per Pallet	28
Number of Containers per Pallet	280
Number of Straps	2

Issue Date: 22 Oct 2009
 Version Number: 4
 Supersedes Issue Dated: 15 Oct 2009

Authorised By:
 Issued By:
 Prepared By:



Date Published 18 Jan 2010

This information is confidential and provided for use by Huber customers only.

Data must not be disclosed to any other parties.