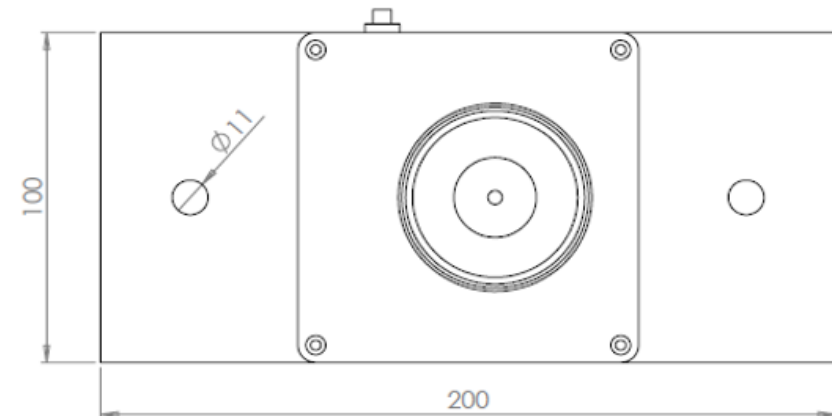
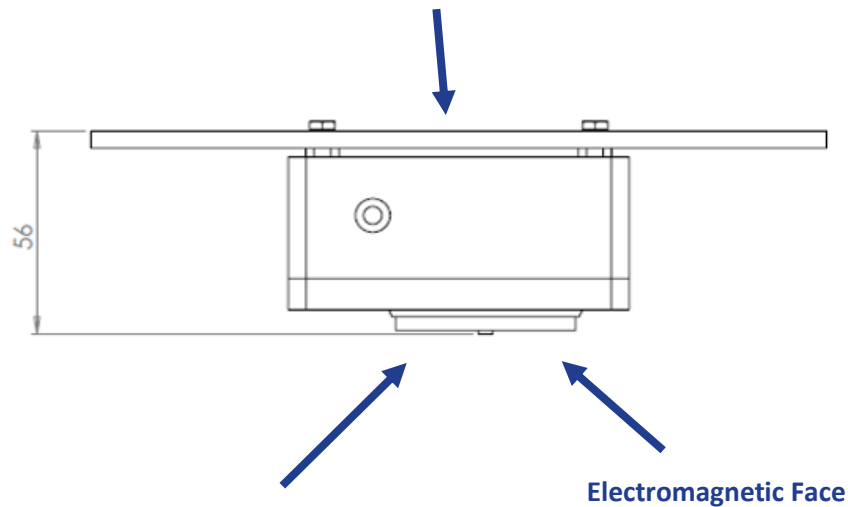


# 20-162/20-163/20-164 – Electromagnetic Quick Release (E-Mag/SQR)

The E-Mag and E-Mag2 Electromagnetic quick release mechanisms are for use with electrically actuated fire valve systems. They provide instant release of Free Fall Fire Valves when de-energised, making them the ideal method for remote fire valve closure.

### Mounting Plate:

6mm thick mild steel, with 2 x11mm diam, fixing holes at 155mm centres. Mounting plate stainless steel



**Spring loaded centre** overcomes any residual magnetic force when the electromagnet is de-energised

Electromagnetic Release (E-Mag) Technical Details			
Product Code	Voltage	Power Consumption	Holding force
20-162	24V DC	2VA	40Kg
20-163	110V AC	2VA	40Kg
20-164	230V Ac	2VA	40Kg

\* All information is sourced from our manufacturer's data and is intended for guidance only – FEL Valves Ltd can accept no liability for changes, omissions or errors.