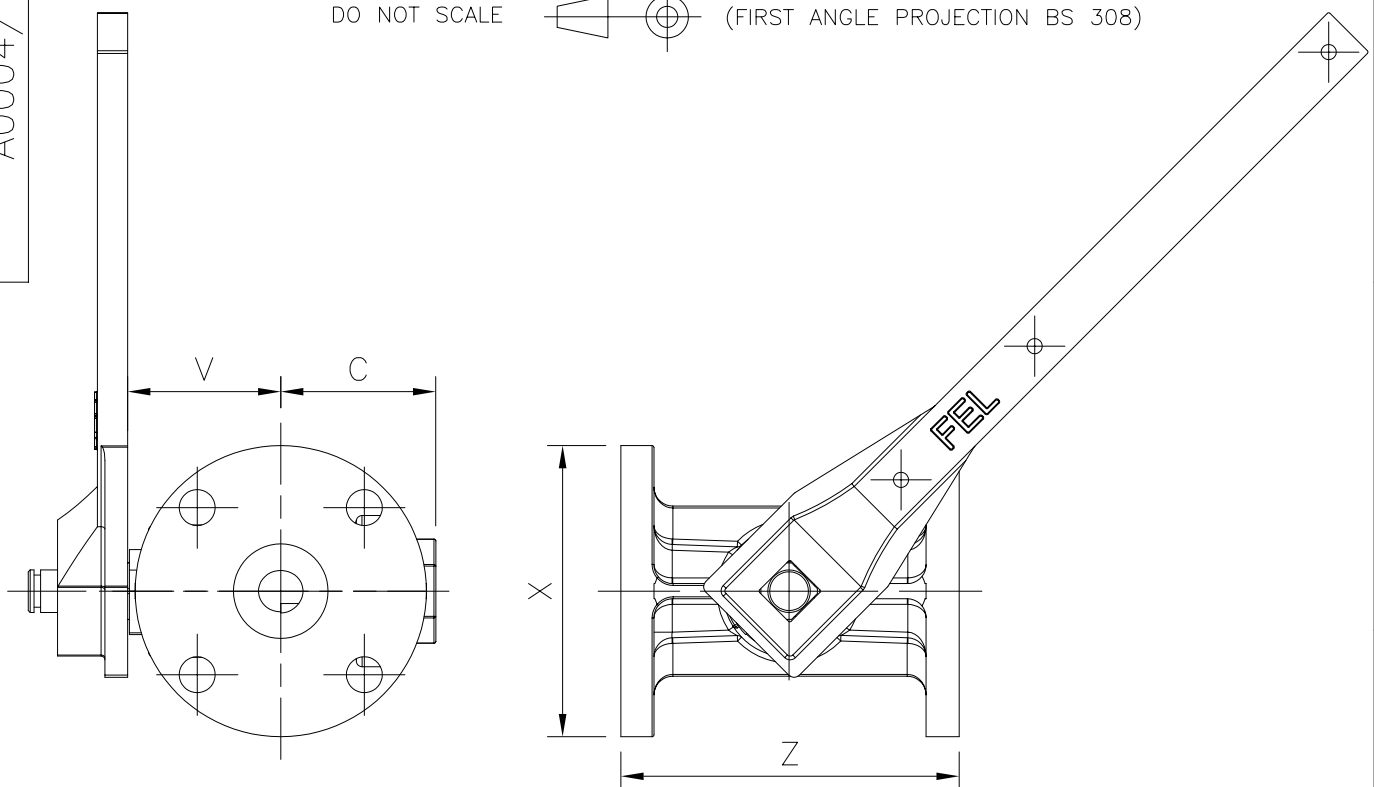
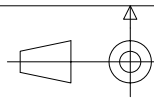


DRG No: A0004/1

DO NOT SCALE (FIRST ANGLE PROJECTION BS 308)



KG = WEIGHT

Product No	Valve Size (MM)	Valve Dimension				
		C	V	Z	X	KG
20-002	15		88	106	95	
20-004	20		88	115	105	
20-006	25	59.5	88	121	115	3.4
20-008	32	58.7	124	111	140	4.8
20-010	40	58.7	124	116	150	4.8
20-012	50	79.4	141	176	165	8.6
20-014	65	99.2	194	191	185	13.4
20-016	80	106.4	201	203	200	17.7
20-017	100	124.6	230	229	220	28
20-018	125	153.2	290	267	250	40
20-019	150	153.2	290	267	285	45
20-020	200	165.1	325	292	340	78

MOD	DESCRIPTION	DATE	SIG

TITLE: FREE FALL VALVE ASSEMBLY (FLANGED)

F.E.L Valves Ltd.

GENERAL TOLERANCES

- 0-PLACE DEC [0] ±0.5mm
- 1-PLACE DEC [0.0] ±0.2mm
- 2-PLACE DEC [0.00] ±0.05mm
- ANGULAR ± 0° 30'

REMOVE ALL BURRS & SHARP EDGES UNLESS OTHERWISE STATED

DRAWN: J.WILLIAMS

DATE: 15.04.02

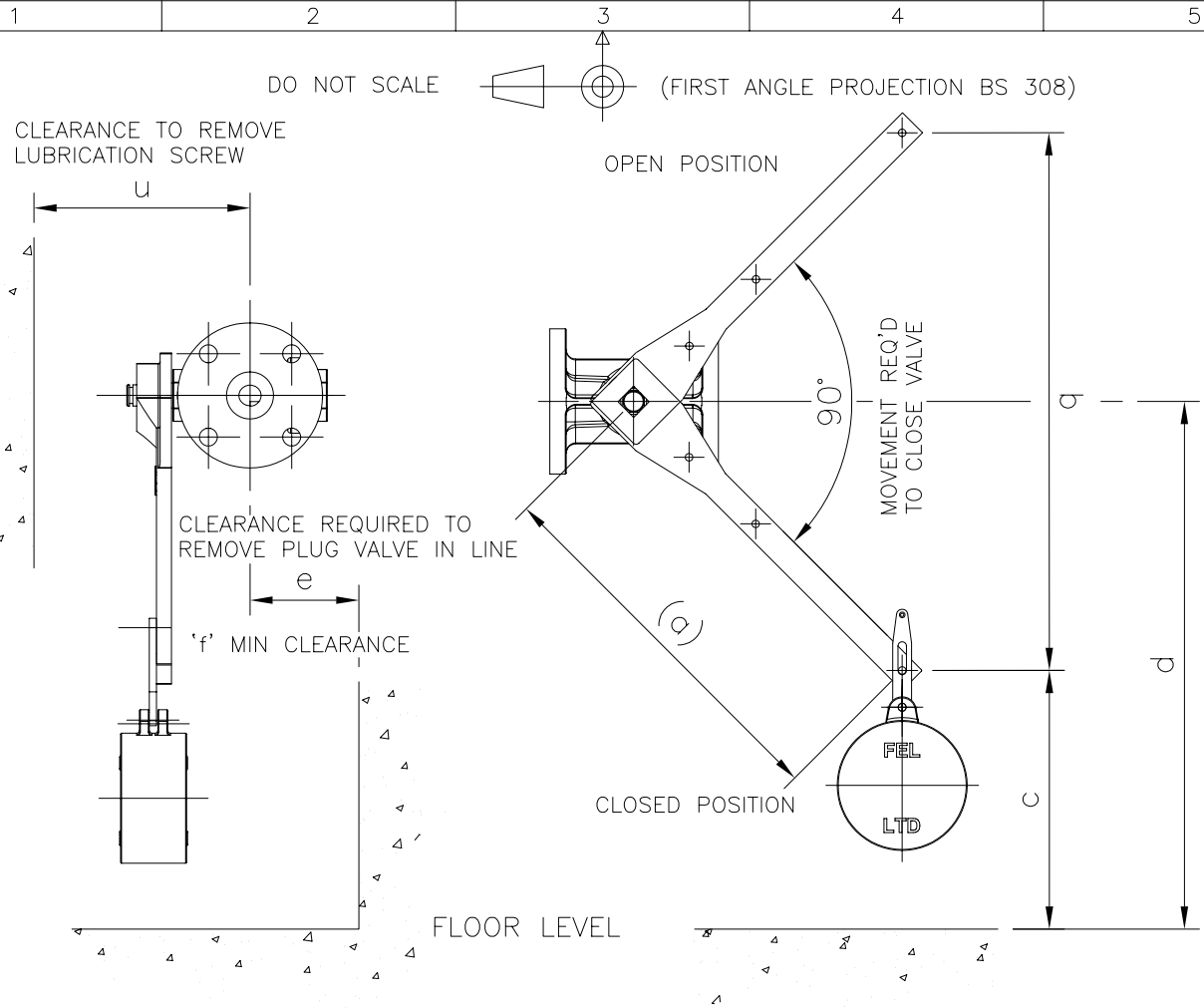
FILE NAME: A0004_FREE FALL VALVE

96, PICKMERE LANE,
WINCHAM, NORTHWICH,
CHESHIRE, UK. CW9 6EB.
TEL: 01565 733137

SCALE: NTS [A4]

DRG No: A0004/1

DRG No: A0004/2



Product No	Valve Size (MM)	Working Dimension						
		a	b	c	d	e	f	u
20-002	15	245	346	185	358	203	80	50
20-004	20	245	346	185	358	203	80	50
20-006	25	245	346	185	358	203	80	50
20-008	32	305	432	220	435	260	100	50
20-010	40	305	432	220	435	260	100	50
20-012	50	400	566	245	528	260	125	50
20-014	65	400	566	245	528	308	145	75
20-016	80	400	566	245	528	308	145	75
20-017	100	760	1075	245	782	416	160	75
20-018	125	760	1075	245	782	503	185	110
20-019	150	760	1075	245	782	503	190	110
20-020	200	760	1075	245	782	565	260	110

MOD	DESCRIPTION	DATE	SIG

TITLE: FREE FALL VALVE ASSEMBLY (FLANGED)

F.E.L Valves Ltd.

GENERAL TOLERANCES
 0-PLACE DEC [0] ±0.5mm
 1-PLACE DEC [0.0] ±0.2mm
 2-PLACE DEC [0.00] ±0.05mm
 ANGULAR ± 0° 30'

REMOVE ALL BURRS & SHARP EDGES UNLESS OTHERWISE STATED

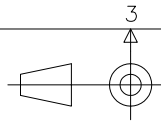
DRAWN: J.WILLIAMS
 DATE: 15.04.02
 FILE NAME: A0004_FREE FALL VALVE
 SCALE: NTS [A4]

96, PICKMERE LANE,
 WINCHAM, NORTHWICH,
 CHESHIRE, UK. CW9 6EB.
 TEL: 01565 733137

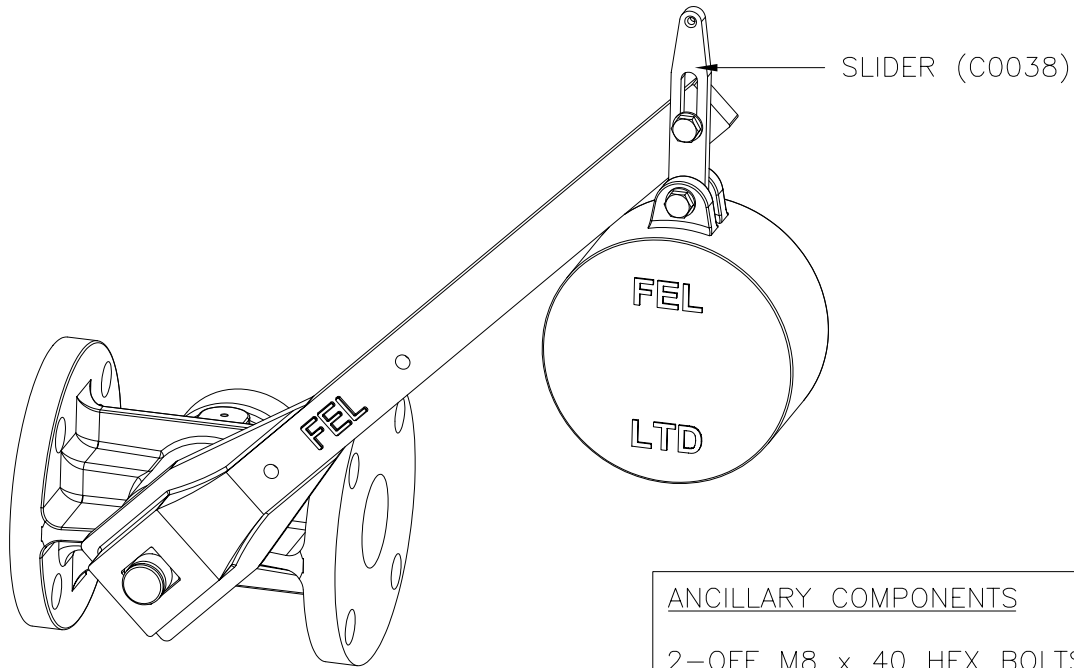
DRG No: A0004/2

DRG No: A0004/3

DO NOT SCALE



(FIRST ANGLE PROJECTION BS 308)



ANCILLARY COMPONENTS

- 2-OFF M8 x 40 HEX BOLTS
- 2-OFF M8 NUTS
- 4-OFF ø8.0 WASHERS

Product No	Valve Size (MM)	Weight Size	Lever Size
20-002	15	2.5 (C0035)	2 (C0024)
20-004	20	2.5 (C0035)	2 (C0024)
20-006	25	2.5 (C0035)	2 (C0024)
20-008	32	5 (C0036)	3 (C0025)
20-010	40	5 (C0036)	3 (C0025)
20-012	50	7.5 (C0037)	4 (C0026)
20-014	65	7.5 (C0037)	5 (C0027)
20-016	80	7.5 (C0037)	5 (C0027)
20-017	100	7.5 (C0037)	6 (C0028)
20-018	125	2 x 7.5 (C0037)	7 (C0029)
20-019	150	2 x 7.5 (C0037)	7 (C0029)
20-020	200	4 x 7.5 (C0037)	7 (C0029)

FOR FURTHER DETAILS OF 20-018 & 019
REFER TO A0011

MOD	DESCRIPTION	DATE	SIG

TITLE:
FREE FALL VALVE ASSEMBLY (FLANGED)

F.E.L Valves Ltd.

GENERAL TOLERANCES

- 0-PLACE DEC [0] ±0.5mm
- 1-PLACE DEC [0.0] ±0.2mm
- 2-PLACE DEC [0.00] ±0.05mm
- ANGULAR ± 0° 30'

DRAWN:
J.WILLIAMS

DATE:
23.04.02

96, PICKMERE LANE,
WINCHAM, NORTHWICH,
CHESHIRE, UK. CW9 6EB.
TEL: 01565 733137

FILE NAME:
A0004_FREE FALL VALVE

SCALE:
NTS [A4]

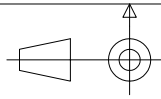
DRG No: A0004/3

REMOVE ALL BURRS & SHARP EDGES UNLESS OTHERWISE STATED

High Peak CAD Services Ltd. 127 Manchester Rd, Chapel-en-le-Frith, High Peak, Derbyshire, SK23 9TN. TEL/FAX 01298 813378

DRG No: A0004/4

DO NOT SCALE



(FIRST ANGLE PROJECTION BS 308)

STANDARD FLANGE SIZES RATING PN16 (BS 4504)

Valve Size (MM)	Flange Dia	P.C.D	No of Holes	Dia of Holes
15	95	65	4	14
20	105	75	4	14
25	115	85	4	14
32	140	100	4	18
40	150	110	4	18
50	165	125	4	18
65	185	145	4	18
80	200	160	8	18
100	220	180	8	18
125	250	210	8	18
150	285	240	8	22
200	340	295	12	22

MOD	DESCRIPTION	DATE	SIG

TITLE:
FREE FALL VALVE ASSEMBLY (FLANGED)

F.E.L Valves Ltd.

GENERAL TOLERANCES
 0-PLACE DEC [0] ±0.5mm
 1-PLACE DEC [0.0] ±0.2mm
 2-PLACE DEC [0.00] ±0.05mm
 ANGULAR ± 0° 30'

DRAWN: J.WILLIAMS DATE: 26.04.02
 FILE NAME: A0004_FREE FALL VALVE

96, PICKMERE LANE,
 WINCHAM, NORTHWICH,
 CHESHIRE, UK. CW9 6EB.
 TEL: 01565 733137

REMOVE ALL BURRS & SHARP EDGES UNLESS OTHERWISE STATED

SCALE: NTS [A4]

DRG No: A0004/4

High Peak CAD Services Ltd. 127 Manchester Rd, Chapel-en-le-Frith, High Peak, Derbyshire, SK23 9TN. TEL/FAX 01298 813378