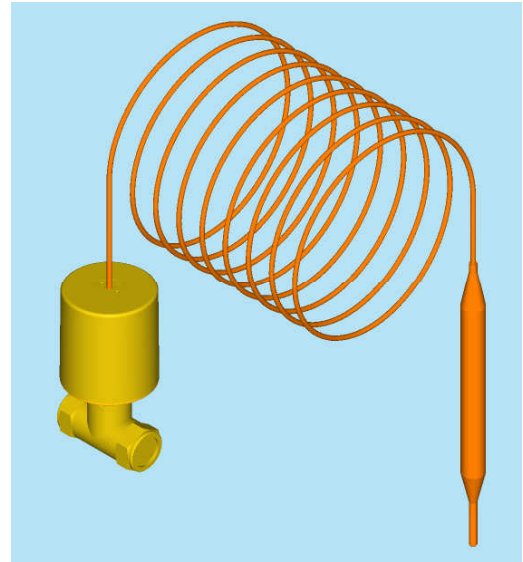
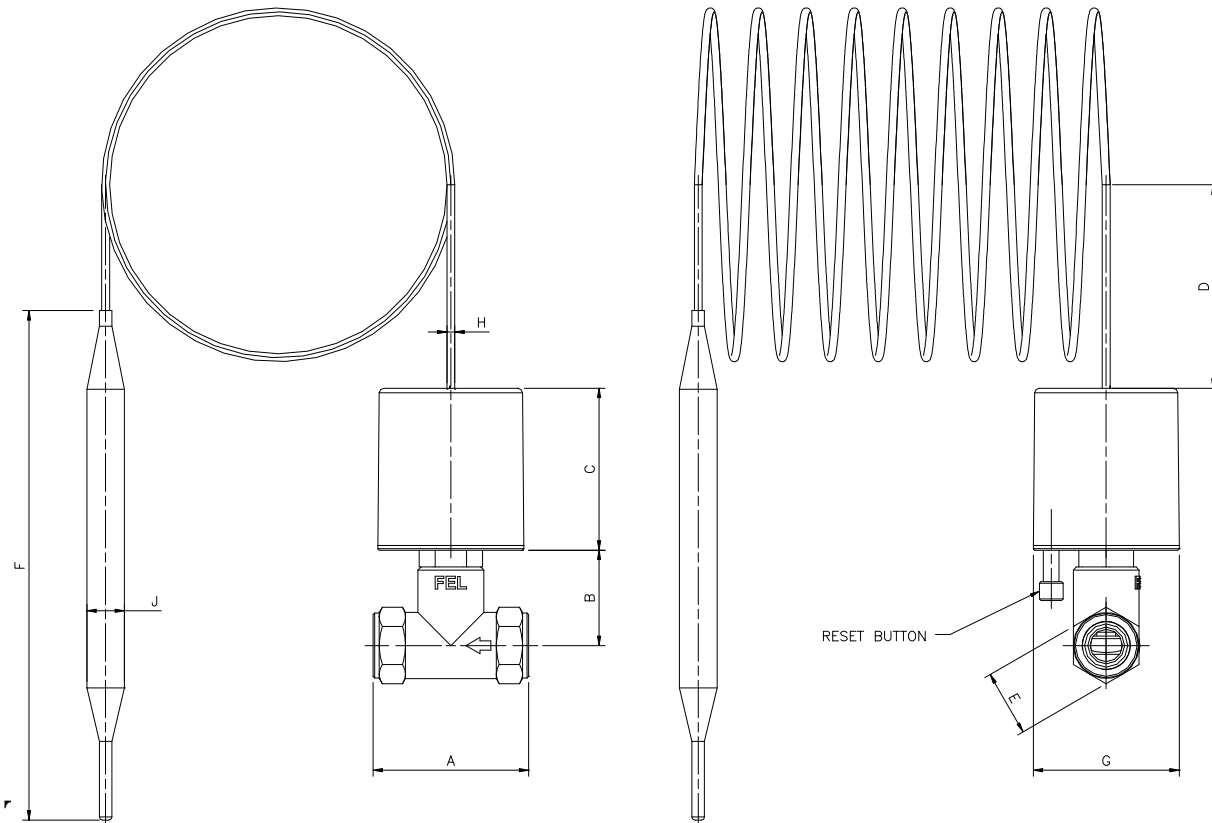


TFV Thermostatic Fire Valve



Physical dimensions

	A	B	C	D = Min	E	F		G	H	J
						72°	95°			
3/8"	50	31	51	40	21	166	190	46	2.8	12
1/2"	73	31	51	40	28	166	190	46	2.8	12
3/4"	78	31	51	40	35	166	190	46	2.8	12



	1.5m	2.0m	3.0m	6.0m	10.0m	15.0m	25.0m
3/8" x 10mm 72°C	30-002	-----	30-003	30-004	30-005	30-006	30-040
3/8" x 10mm 95°C	-----	30-007	30-008	30-009	30-010	30-011	30-050
1/2" 72°C	30-012	-----	30-013	30-014	30-015	30-016	30-041
1/2" 95°C	-----	30-017	30-018	30-019	30-020	30-021	30-051
3/4" 72°C	30-022	-----	30-023	30-024	30-025	30-026	30-042
3/4" 95°C	-----	30-027	30-028	30-029	30-030	30-031	30-052

Ordering Information

Tel: 01565 733137. Fax: 01565 733841. E-mail: fel.valves@virgin.net Web: www.felvalves.com
 FEL Valves Ltd., 96 Pickmere Lane, Wincham, Northwich, Cheshire, UK. CW9 6EB