





## Contents

**01** One-piece Instrument Ball Valves  
B1 Series



**06** Hex Bar Stock Ball Valves  
B2 Series



**10** Trunion Ball Valves  
B3 and B3H Series



**17** Bar Stock Ball Valves  
B4 Series



**23** 3-piece Ball Valves  
B5 Series High Pressure Application



# One-piece Instrument Ball Valves

## Features

- Working pressure up to 3000 psig (207 bar)
- Working temperature from -65°F to 300°F (-54°C to 148°C)
- 2-way, 3-way models for on-off and switching service available
- One piece body and one piece ball stem eliminates multiple seal points
- Top entry design allows in-line inspection and repair after system depressurizing, simplifies maintenance
- Live-loading with packing springs compensates for thermal effects and wear
- Pneumatic and electric actuation available
- Panel mountable
- 100% factory tested

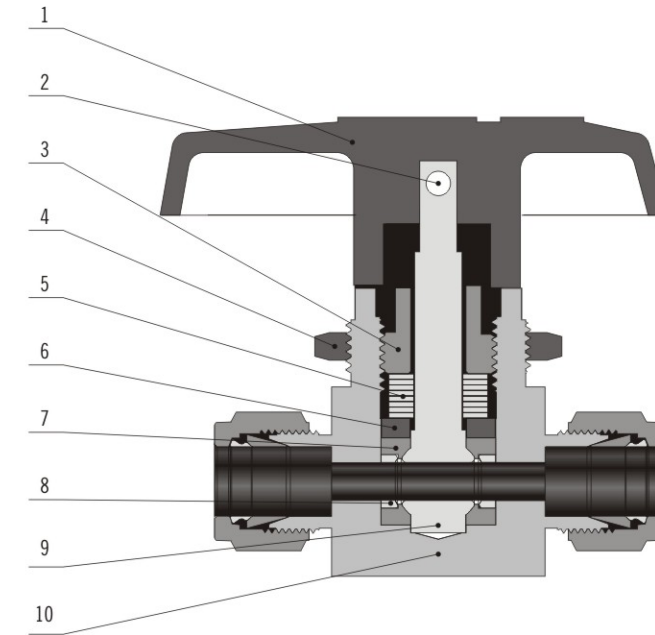


## Technical Data

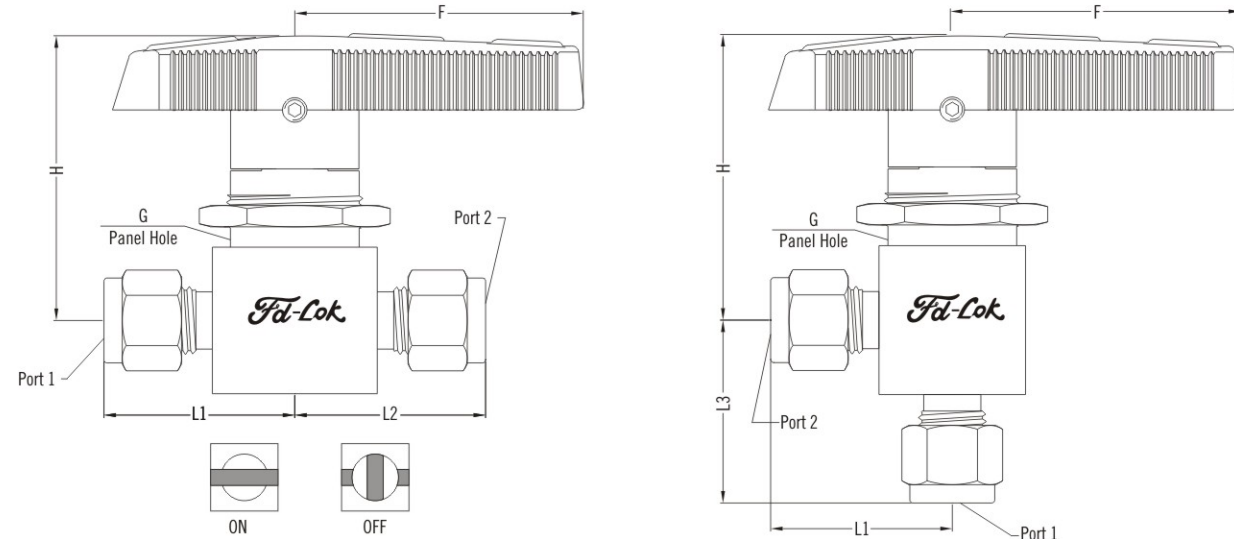
Temperature		Working pressure, psig (bar)
°F	°C	
-65~50	-54~10	3000(207)
50~150	10~65	3000(207)
200	93	2800(193)
250	121	2650(182)
300	148	2500(172)

# One-piece Instrument Ball Valves

## Materials of Construction

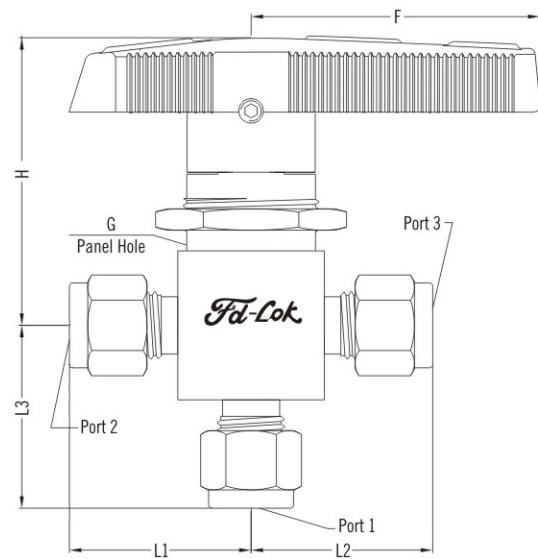


Item	Component	Valve Body Materials		
		Stainless Steel	Brass	Alloy 400
Material Grade/ASTM Specification				
1	Handle	Aluminum alloy		
2	Set screw	302 SS		
3	Packing screw	316 SS/A176	Brass CDA 360/B16	Alloy R-405/B164
4	Panel nut	S17400S	Brass CDA 360/B16	S17400S
5	Packing springs	316 SS/A240		
6	Gland	316 SS/A276		
7	Packing seat	PTFE/Reinforced PTFE/UHMWPE		
8	Support rings	Fluorocarbon coated 316 SS/A276		Fluorocarbon coated alloy 400
9	Ball stem	316 SS/A276 and A479		Alloy R-405/B164
10	Body	316 SS/A182	Brass CDA 360/B283	Alloy 400/B564
	Lubricant	Hydrocarbon-based and silicone-based		



B1 (straight pattern)

B1-A (angle pattern)



B1-X (3-way pattern)

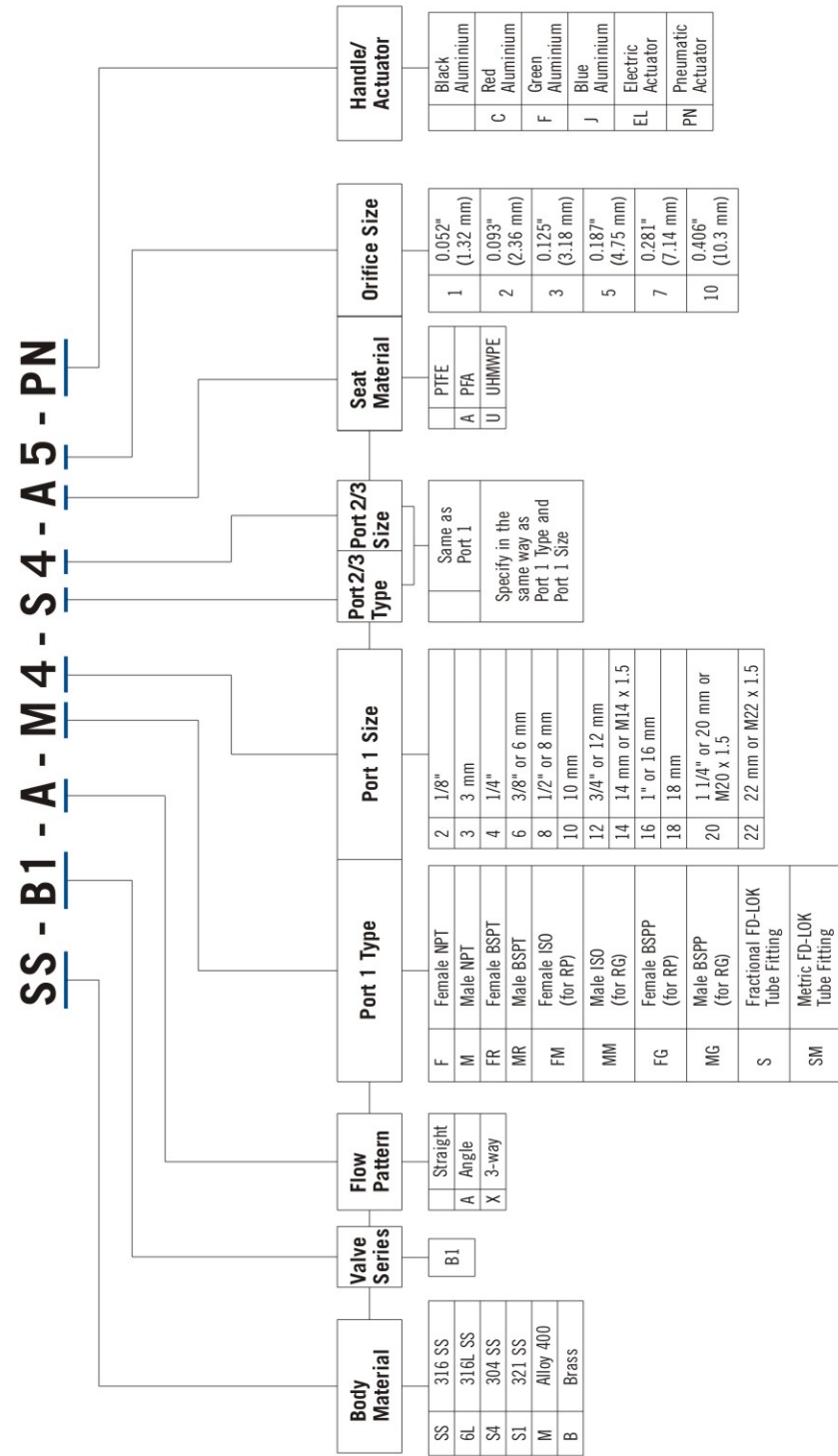
Table of Dimensions

Basic Model Number	End Connection		Orifice in. (mm)	Cv	L1	L2	L3	H	F	G
	Port 1	Port 2/3			in. (mm)					
-B1-S1-1	1/16" FD-LOK	1/16" FD-LOK	0.052 (1.32)	0.10	0.84 (21.3)	0.84 (21.3)	0.84 (21.3)	1.36 (34.5)	1.12 (28.4)	0.59 (15.1)
-B1-S2-2	1/8" FD-LOK	1/8" FD-LOK	0.093 (2.36)	0.20	1.01 (25.7)	1.01 (25.7)	0.97 (24.6)	1.36 (34.5)	1.12 (28.4)	0.59 (15.1)
-B1-SM3-2	3mm FD-LOK	3mm FD-LOK								
-B1-F2-3	1/8 Female NPT	1/8 Female NPT			0.81 (20.6)	0.81 (20.6)	0.81 (20.6)			
-B1-S4-3	1/4" FD-LOK	1/4" FD-LOK	0.125 (3.18)	0.60	1.10 (27.9)	1.10 (27.9)	1.07 (27.2)	1.36 (34.5)	1.12 (28.4)	0.59 (15.1)
-B1-SM6-3	6mm FD-LOK	6mm FD-LOK								
-B1-F2-5	1/8 Female NPT	1/8 Female NPT			1.00 (25.4)	1.00 (25.4)	1.00 (25.4)			
-B1-F4-5	1/4 Female NPT	1/4 Female NPT			1.03 (26.2)	1.03 (26.2)	1.03 (26.2)			
-B1-FR4-5	1/4 Female BSPT	1/4 Female BSPT								
-B1-M4-5	1/4 Male NPT	1/4 Male NPT	0.187 (4.75)	1.5	1.00 (25.4)	1.00 (25.4)	1.03 (26.2)			
-B1-M4-S4-5	1/4 Male NPT	1/4" FD-LOK			1.12 (28.4)	1.00 (25.4)	1.03 (26.2)	1.47 (37.3)	1.53 (38.9)	0.78 (19.8)
-B1-S4-5	1/4" FD-LOK	1/4" FD-LOK			1.20 (30.5)	1.20 (30.5)	1.17 (29.7)			
-B1-S6-5	3/8" FD-LOK	3/8" FD-LOK			1.29 (32.8)	1.29 (32.8)	1.29 (32.8)			
-B1-SM6-5	6mm FD-LOK	6mm FD-LOK			1.20 (30.5)	1.20 (30.5)	1.17 (29.7)			
-B1-SM8-5	8mm FD-LOK	8mm FD-LOK			1.23 (31.2)	1.23 (31.2)	1.20 (30.5)			
-B1-F4-7	1/4 Female NPT	1/4 Female NPT								
-B1-F6-7	3/8 Female NPT	3/8 Female NPT	0.281 (7.14)	6.0	1.25 (31.8)	1.25 (31.8)	1.25 (31.8)			
-B1-FR6-7	3/8 Female BSPT	3/8 Female BSPT						2.07 (52.6)	2.00 (50.8)	1.13 (28.6)
-B1-S6-7	3/8" FD-LOK	3/8" FD-LOK			1.52 (38.6)	1.52 (38.6)	1.43 (36.3)			
-B1-SM10-7	10mm FD-LOK	10mm FD-LOK								
-B1-SM12-7	12mm FD-LOK	12mm FD-LOK								
-B1-SM14-7	14mm FD-LOK	14mm FD-LOK			1.56 (39.7)	1.56 (39.7)	1.47 (37.4)			
-B1-F8-10	1/2 Female NPT	1/2 Female NPT								
-B1-FR8-10	1/2 Female BSPT	1/2 Female BSPT			1.56 (39.7)	1.56 (39.7)	1.56 (39.7)			
-B1-S8-10	1/2" FD-LOK	1/2" FD-LOK	0.406 (10.3)	12				2.43 (61.7)	3.00 (76.2)	1.50 (38.1)
-B1-S12-10	3/4" FD-LOK	3/4" FD-LOK								
-B1-SM12-10	12mm FD-LOK	12mm FD-LOK			1.96 (49.8)	1.96 (49.8)	1.74 (44.2)			
-B1-SM14-10	14mm FD-LOK	14mm FD-LOK								
-B1-SM16-10	16mm FD-LOK	14mm FD-LOK								

Remarks:

- a. FD-LOK means FD-LOK double ferrule tube fittings.
- b. Dimensions shown with FD-LOK nuts finger-tight. All dimensions are for reference only, subject to change. For dimensions not shown above, consult the factory please.
- c. The sizes and types listed are standard. Other sizes and types are available upon request.
- d. Stem packing required periodically check and adjust during the valve service life to prevent seat leakage.
- e. Valves that have not been cycled for a period of time may have a higher initial actuation torque.





**Features**

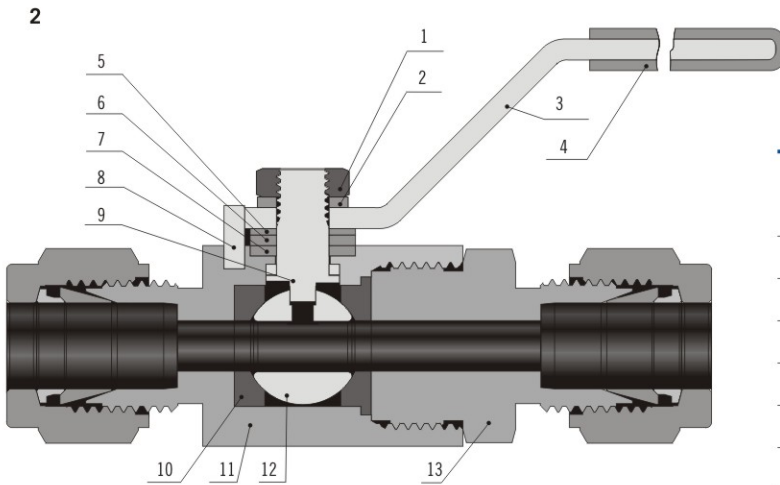
- Working pressure up to 2000 psig (138 bar)
- Working temperature from -65°F to 450°F (-54°C to 232°C)
- Size from 1/8" to 1" or 6 mm to 25 mm
- Compact design with one piece hexagon body
- Low torque for easy operation
- Free floating ball design provides seat wear compensation
- 100% factory tested



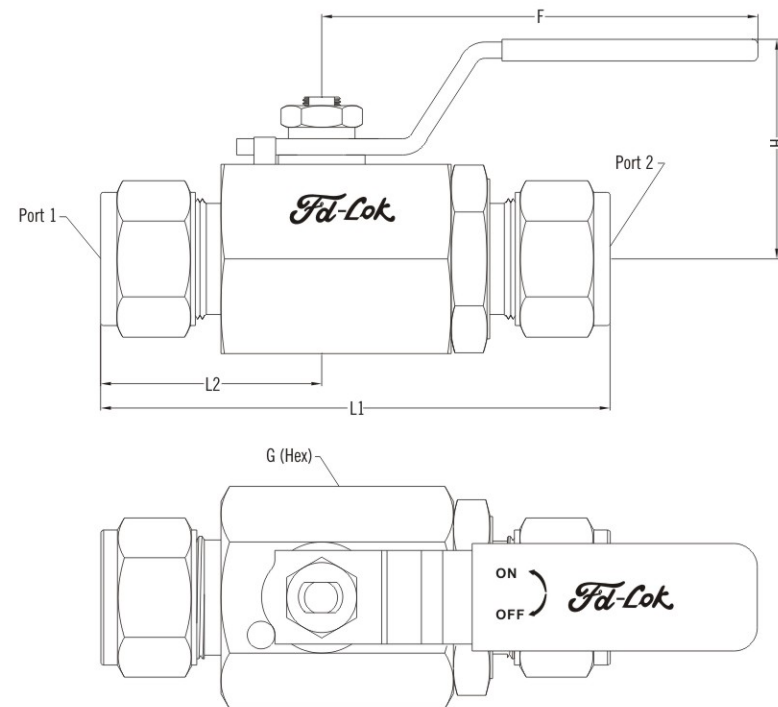
**Technical Data**

Temperature		Working pressure, psig (bar)
°F	°C	
-65~100	-54~37	2000(138)
150	65	1820(125)
200	93	1650(113)
250	121	1480(101)
300	148	1310(90)
350	176	1140(79)
400	204	970(67)
450	232	800(55)

## Materials of Construction



Item	Component	Body Materials	
		316 SS	Brass
1	Stem nut	316 SS	
2	Spring washer	Spring steel	
3	Handle	316 SS	
4	Handle sleeve	Vinyl	
5	Washer	304 SS	
6	Gland	316 SS/A276	
7	Packing	PTFE (TFM1600)	
8	Stop pin	316 SS/A276	
9	Stem	316 SS/A276	
10	Seat	Reinforced PTFE	
11	Body	316 SS/A276	Brass/B453
12	Ball	316 SS/A479	
13	End connector	316 SS/A276	Brass/B453



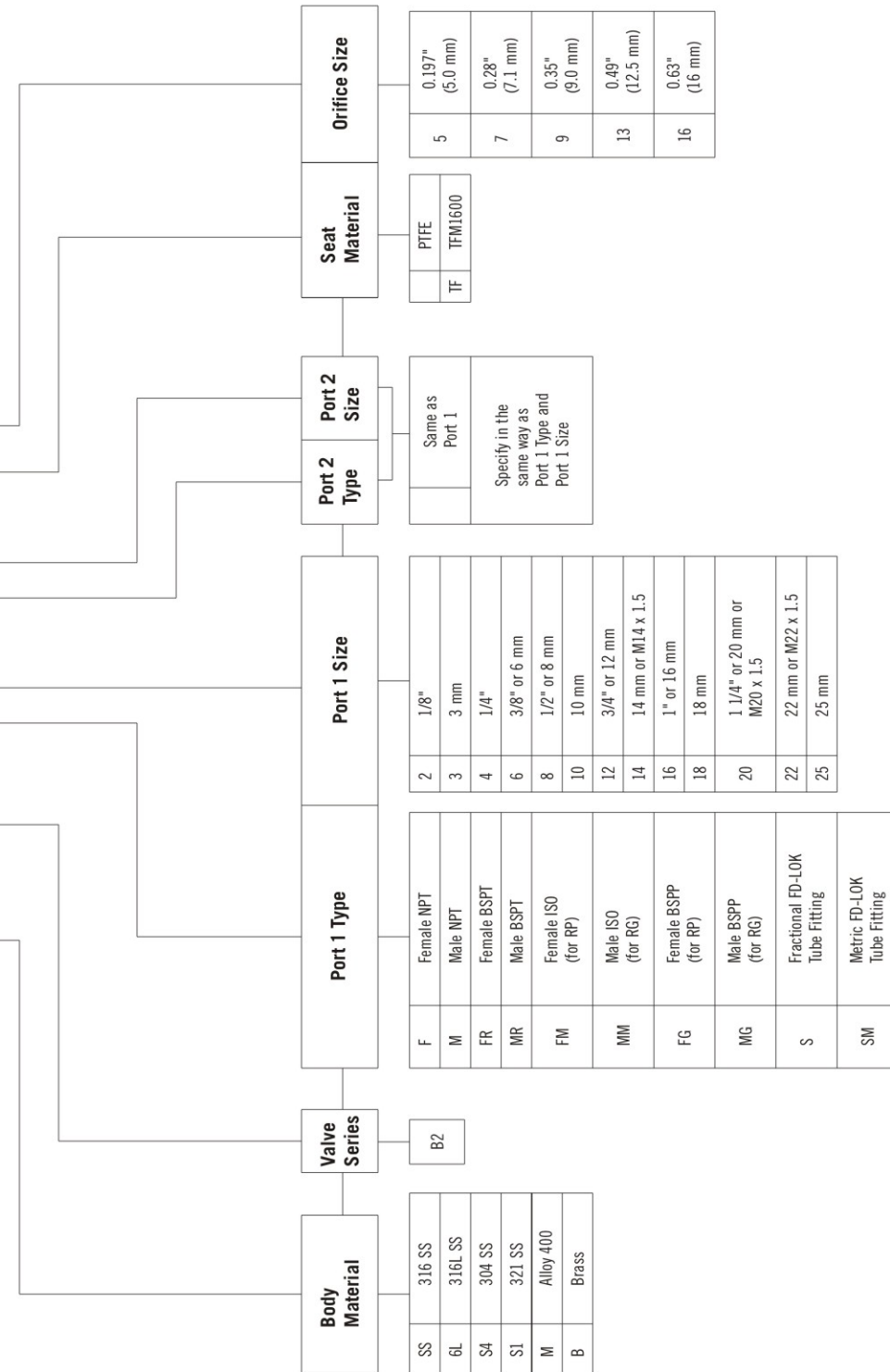
## Table of Dimensions

Basic Model Number	End Connection		Orifice in. (mm)	Cv	L1	L2	H in. (mm)	F	G
	Port 1	Port 2/3							
-B2-F2-5	1/8 Female NPT	1/8 Female NPT	0.197 (5.0)	1.25	1.85 (47)	0.77 (19.6)	1.18 (30.0)	2.36 (60.0)	3/4 (19.05)
-B2-F4-5	1/4 Female NPT	1/4 Female NPT							
-B2-FR4-5	1/4 Female BSPT	1/4 Female BSPT							
-B2-S4-5	1/4" FD-LOK	1/4" FD-LOK							
-B2-SM6-5	6mm FD-LOK	6mm FD-LOK	0.28 (7.1)	2.5	2.03 (51.6)	0.81 (20.6)	1.18 (30.0)	2.36 (60.0)	7/8 (22.23)
-B2-F6-7	3/8 Female NPT	3/8 Female NPT							
-B2-FR6-7	3/8 Female BSPT	3/8 Female BSPT							
-B2-S6-7	3/8" FD-LOK	3/8" FD-LOK							
-B2-SM8-7	8mm FD-LOK	8mm FD-LOK	0.35 (9.0)	9.25	20.3 (51.6)	0.85 (21.6)	1.54 (39.0)	3.15 (80.0)	15/16 (24.0)
-B2-SM10-7	10mm FD-LOK	10mm FD-LOK							
-B2-F8-9	1/2 Female NPT	1/2 Female NPT							
-B2-FR8-9	1/2 Female BSPT	1/2 Female BSPT							
-B2-S8-9	1/2" FD-LOK	1/2" FD-LOK	0.49 (12.5)	12.65	2.39 (60.7)	1.19 (30.2)	1.77 (45.0)	3.94 (100.0)	1.26 (32.0)
-B2-SM12-9	12mm FD-LOK	12mm FD-LOK							
-B2-F12-13	3/4 Female NPT	3/4 Female NPT							
-B2-FR12-13	3/4 Female BSPT	3/4 Female BSPT							
-B2-S10-13	5/8" FD-LOK	5/8" FD-LOK	0.63 (16.0)	17.35	3.5 (88.9)	1.5 (38.1)	1.77 (45.0)	3.94 (100.0)	1 5/8 (41.27)
-B2-S12-13	3/4" FD-LOK	3/4" FD-LOK							
-B2-SM14-13	14mm FD-LOK	14mm FD-LOK							
-B2-SM16-13	16mm FD-LOK	16mm FD-LOK							
-B2-F16-16	1 Female NPT	1 Female NPT	0.63 (16.0)	17.35	3.01 (76.5)	1.49 (37.9)	1.77 (45.0)	3.94 (100.0)	1 5/8 (41.27)
-B2-FR16-16	1 Female BSPT	1 Female BSPT							
-B2-S16-16	1" FD-LOK	1" FD-LOK							
-B2-SM25-16	25mm FD-LOK	25mm FD-LOK							

### Remarks:

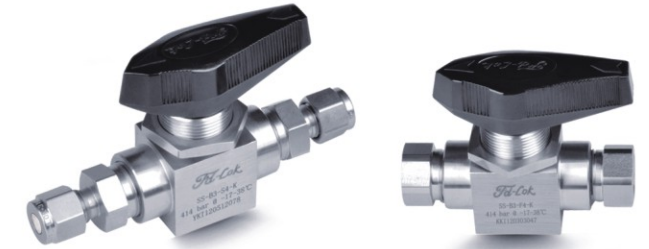
- a. FD-LOK means FD-LOK double ferrule tube fittings.
- b. Dimensions shown with FD-LOK nuts finger-tight. All dimensions are for reference only, subject to change. For dimensions not shown above, consult the factory please.
- c. The sizes and types listed are standard. Other sizes and types are available upon request.
- d. Stem packing required periodically check and adjust during the valve service life to prevent seat leakage.
- e. Valves that have not been cycled for a period of time may have a higher initial actuation torque.

SS - B2 - F4 - S4 - TF5



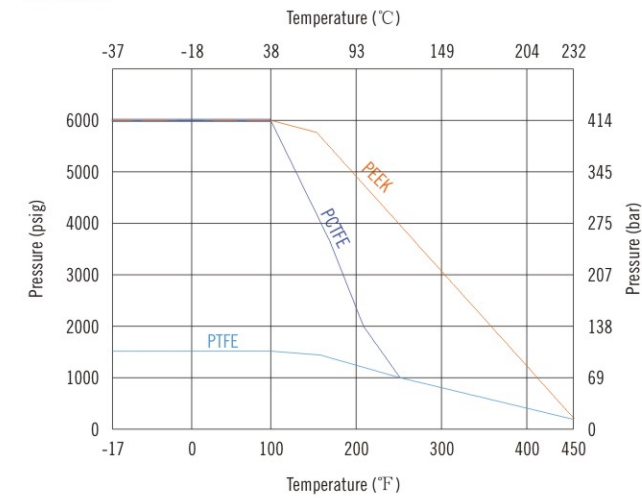
## Features

- Maximum working pressure: 10000 psig (690 bar)
- Working temperature: 0°F to 450°F (-17°C to 232 °C)
- Fixed ball with double sealing
- Automatic compensation of seat sealing
- Low operating torque
- Blowout proof stem
- Handle as indicator of flow direction
- Positive handle stop
- Pneumatic or electric actuator available
- Panel mountable
- Options for handle color
- Leak-tight performance testing with nitrogen for every valve at the maximum working pressure, but not higher than 6000 psig

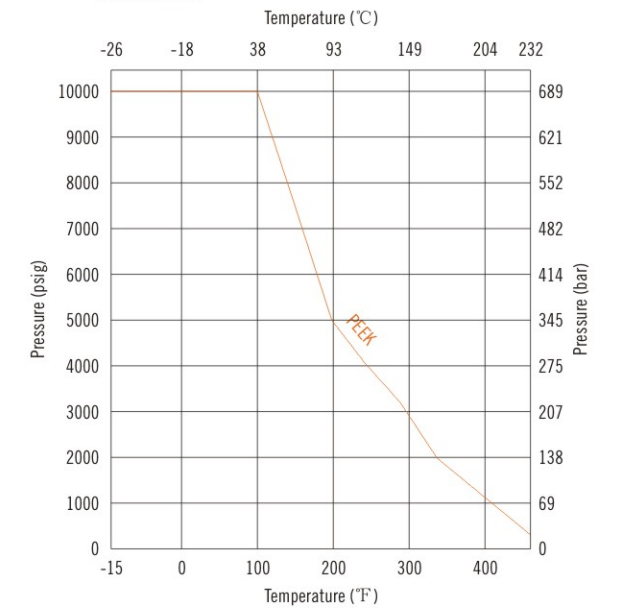


## Pressure vs. Temperature

B3 Series



B3H Series



1. Graphs are for 2-way valves only
2. Maximum working pressure for 3-way valves:  
6000 psig: connection 1 as inlet, connection 2 and connection 3 as outlet  
3000 psig: connection 2 and connection 3 as inlet, connection 1 as outlet



# Trunnion Ball Valves

## Flow Data at 70°F (20°C)

**B3 Series 2-way**  
0.187" (4.75 mm) orifice, 1.2 Cv

Inlet Pressure psig (bar)	Pressure Drop (Δp) psig (bar)	Air Flow std ft <sup>3</sup> /min (std L/min)	Water Flow U.S. gal/min (L/min)
1000 (69)	10 (0.69)	14 (334)	3.5 (13)
3000 (207)	50 (3.45)	30 (834)	7.5 (28)
6000 (414)	100 (6.89)	60 (1670)	11.0 (41)

**B3 Series 3-way**  
0.187" (4.75 mm) orifice, 0.75 Cv

Inlet Pressure psig (bar)	Pressure Drop (Δp) psig (bar)	Air Flow std ft <sup>3</sup> /min (std L/min)	Water Flow U.S. gal/min (L/min)
1000 (69)	10 (0.69)	10 (275)	3.0 (11)
3000 (207)	50 (3.45)	23 (630)	7.0 (26)
6000 (414)	100 (6.89)	42 (1150)	9.5 (35)

**B3H Series 2-way**  
0.187" (4.75 mm) orifice, 1.2 Cv

Inlet Pressure psig (bar)	Pressure Drop (Δp) psig (bar)	Air Flow std ft <sup>3</sup> /min (std L/min)	Water Flow U.S. gal/min (L/min)
1000 (69)	150 (10.3)	90 (2550)	15 (56)
6000 (414)	600 (41.4)	345 (9660)	30 (111)
10000 (689)	1000 (68.9)	560 (15680)	40 (148)

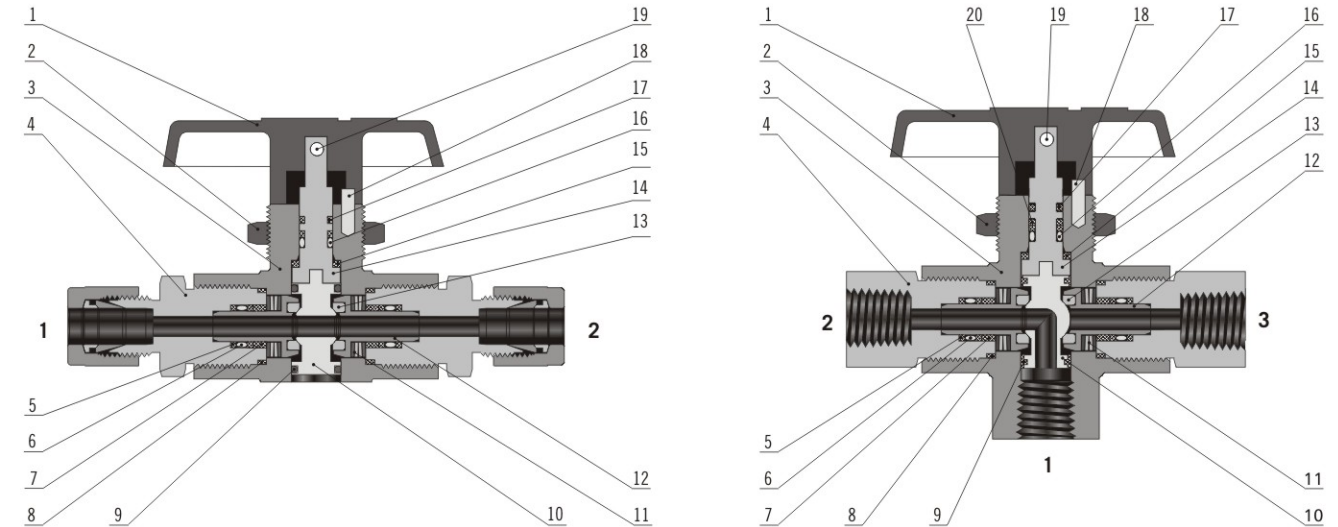
**B3H Series 3-way**  
0.187" (4.75 mm) orifice, 0.75 Cv

Inlet Pressure psig (bar)	Pressure Drop (Δp) psig (bar)	Air Flow std ft <sup>3</sup> /min (std L/min)	Water Flow U.S. gal/min (L/min)
1000 (69)	150 (10.3)	55 (1540)	10 (37.0)
6000 (414)	600 (41.4)	200 (5600)	20 (74.0)
10000 (689)	1000 (68.9)	330 (9240)	25 (92.5)

# Trunnion Ball Valves

## Standard Materials of Construction

**B3 Series**

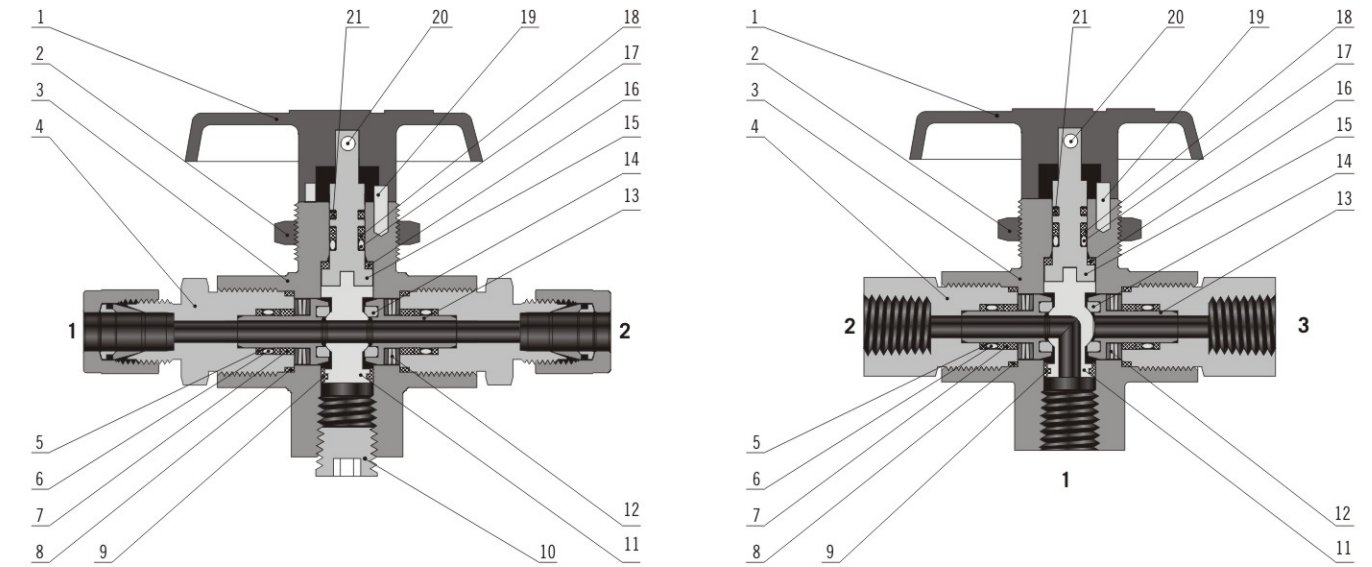


Item	Component	Valve Body Material			
		316 Stainless Steel		Alloy 400	
		2-way	3-way	2-way	3-way
Material Grade/ASTM Specification					
1	Handle	Nylon or aluminium			
2	Panel Nut	316 SS/B783			
3	Body	316 SS/A479		Alloy 400/B164	
4	End Connector	316 SS/A479		Alloy R-405/B164	
5	Seat Retainer Guide	Reinforced PTFE			
6	Seat Retainer O-ring	Fluorocarbon FKM			
7	Seat Carrier Guide	316 SS/A276		Alloy R-405/B164	
8	End Connector Seal	PTFE/D1710			
9	Trunnion Bearing	Fluorocarbon FKM	PEEK	Fluorocarbon FKM	PEEK
10	Ball	316 SS/A276	S21800/A276	Alloy R-405/B164	
11	Seat Spring	Alloy X-750/AMS 5542			
12	Seat Retainer	316 SS/A276		Alloy R-405/B164	
13	Seat	PTFE or PEEK or PCTFE			
14	Stem	316 SS/A276		Alloy R-405/B164	
15	Stem Washer	Reinforced PTFE	PEEK	Reinforced PTFE	PEEK
16	Stem O-ring	—	Fluorocarbon FKM	—	Fluorocarbon FKM
17	Primary Stem Backup Ring	PTFE/D1710			
18	Pin	Stainless Steel			
19	Set Screw	S17400 SS			
20	Secondary Stem Backup Ring	—	PEEK	—	PEEK
	Lubricants	Molybdenum and Tungsten disulfide and Fluorinated-based			

1. Ball trunnions are PTFE coated in B3 series 2-way valve.  
2. Other materials are available upon request, refer to the ordering information.



**B3H Series**

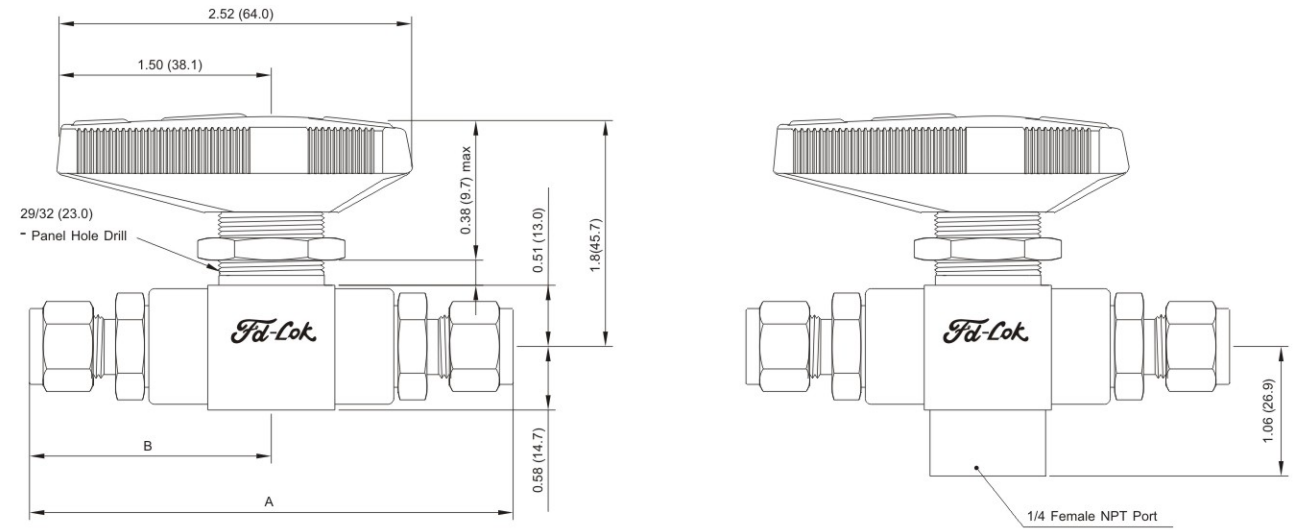


Item	Component	2-way	3-way
		Material Grade/ASTM Specification	
1	Handle	Nylon or aluminium	
2	Panel Nut	316 SS/B783	
3	Body	316 SS/A479	
4	End Connector	316 SS/A479	
5	Seat Retainer Guide	Reinforced PTFE	
6	Seat Retainer O-ring	Fluorocarbon FKM	
7	Seat Carrier Guide	316 SS/A276	
8	End Connector Seal	PTFE/D1710	
9	Trunnion Bearing	Fluorocarbon FKM	
10	Plug	316 SS/A276	
11	Ball	S21800/A276	
12	Seat Spring	Alloy X-750/AMS 5542	
13	Seat Retainer	316 SS/A276	
14	Seat	PEEK	
15	Stem	316 SS/A276	
16	Stem Washer	PEEK	
17	Stem O-ring	Fluorocarbon FKM	
18	Stem Back-up Ring	PTFE/D1710	
19	Pin	304 SS	
20	Set Screw	S17400/A564	
21	Stem Backup Ring	PEEK	
	Lubricants	Molybdenum and Tungsten disulfide and Fluorinated-based	

1. Ball trunnions are Xylan® coated in B3H series 2-way valve.  
 2. Other materials are available upon request, refer to the ordering information.

**Dimensions**

Dimensions in inches (millimeters), are for reference only and are subject to change.



**2-way Valve**

Basic Ordering Number		Connection Size		Cv	Dimension, in. (mm)	
B3 Series	B3H Series	Connection 1	Connection 2		A	B
-B3-F2	-B3H-F2	1/8 Female NPT	1/8 Female NPT	1.2	2.94 (74.7)	1.47 (37.3)
-B3-F4	-B3H-F4	1/4 Female NPT	1/4 Female NPT		3.93 (99.8)	1.97 (50.0)
-B3-F8	-B3H-F8	1/2 Female NPT	1/2 Female NPT		4.25 (108.0)	2.13 (54.1)
-B3-S4	-B3H-S4	1/4" FD-LOK	1/4" FD-LOK		4.14 (105.2)	2.07 (52.6)
-B3-S6	-B3H-S6	3/8" FD-LOK	3/8" FD-LOK		4.39 (111.5)	2.19 (55.6)
-B3-S8	-B3H-S8	1/2" FD-LOK	1/2" FD-LOK		4.60 (116.8)	2.30 (58.4)
-B3-SM6	-B3H-SM6	6 mm FD-LOK	6 mm FD-LOK		4.14 (105.2)	2.07 (52.6)
-B3-SM8	-B3H-SM8	8 mm FD-LOK	8 mm FD-LOK		4.15 (105.4)	2.07 (52.6)
-B3-SM10	-B3H-SM10	10 mm FD-LOK	10 mm FD-LOK		4.41 (112.0)	2.20 (55.9)
-B3-SM12	-B3H-SM12	12 mm FD-LOK	12 mm FD-LOK		4.60 (116.8)	2.30 (58.4)

**3-way Valve**

Basic Ordering Number		Connection Size			Cv	Dimension, in. (mm)	
B3 Series	B3H Series	Connection 1	Connection 2	Connection 3		A	B
-B3-F2-3	-B3H-F2-3	1/4 Female NPT	1/8 Female NPT	1/8 Female NPT	0.75	2.94 (74.7)	1.47 (37.3)
-B3-F4-3	-B3H-F4-3		1/4 Female NPT	1/4 Female NPT		3.93 (99.8)	1.97 (50.0)
-B3-S4-3	-B3H-S4-3		1/4" FD-LOK	1/4" FD-LOK		4.14 (105.2)	2.07 (52.6)
-B3-S6-3	-B3H-S6-3		3/8" FD-LOK	3/8" FD-LOK		4.39 (111.5)	2.19 (55.6)
-B3-S8-3	-B3H-S8-3		1/2" FD-LOK	1/2" FD-LOK		4.60 (116.8)	2.30 (58.4)
-B3-SM6-3	-B3H-SM6-3		6 mm FD-LOK	6 mm FD-LOK		4.14 (105.2)	2.07 (52.6)
-B3-SM8-3	-B3H-SM8-3		8 mm FD-LOK	8 mm FD-LOK		4.15 (105.4)	2.07 (52.6)
-B3-SM10-3	-B3H-SM10-3		10 mm FD-LOK	10 mm FD-LOK		4.41 (112.0)	2.20 (55.9)
-B3-SM12-3	-B3H-SM12-3		12 mm FD-LOK	12 mm FD-LOK		4.60 (116.8)	2.30 (58.4)

1. FD-LOK means FD-LOK double ferrule tube fittings.  
 2. Size and types listed are standard. Other sizes and types are available upon request, refer to the ordering information.  
 3. Dimension are shown with FD-LOK nuts finger-tightened. All dimensions are for reference only and are subject to change. For dimensions not shown above, please contact the authorized representative or FD-LOK.

## Service Option

### Low-temperature Service

Trunnion ball valves for low-temperature service, with a temperature rating of -40°F to 200°F (-40°C to 93°C) are available. Low-temperature valves have low-temperature Buna C O-rings. All other materials and ratings are the same as those of standard valves. To order a valve for low-temperature service, add the suffix L to the end of the part number. Example: SS-B3-S4-P-L

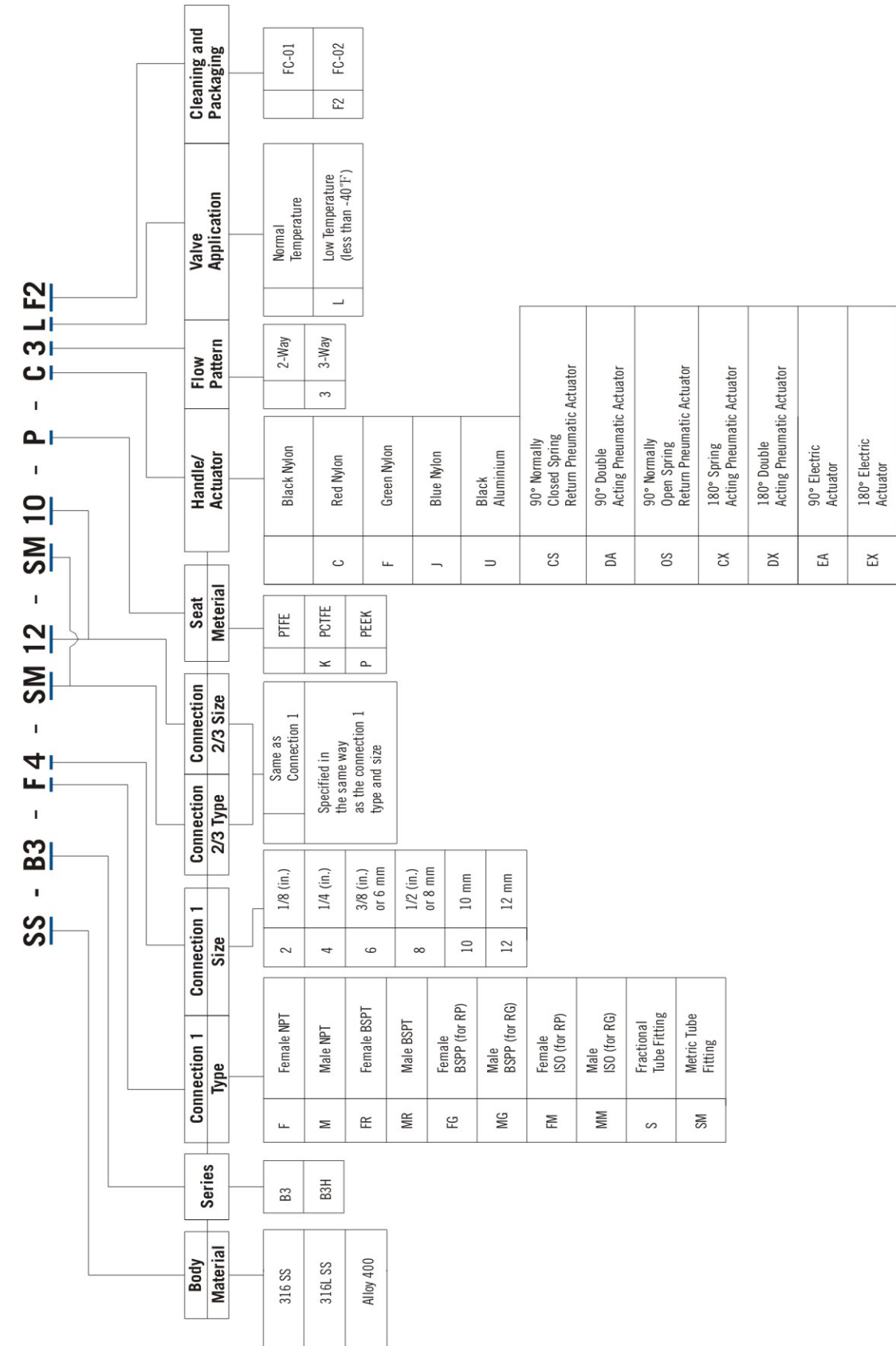
### B3 Series Pressure - temperature Ratings

Material	316 SS		Alloy 400	
Seat Material	PCTFE PEEK	PTFE	PCTFE PEEK	PTFE
Temperature, °F(°C)	Working Pressure, psig (bar)			
-40 to 100 (-40 to 37)	6000 (414)	1500 (103)	5000 (345)	1500 (103)
100 to 200 (37 to 93)	See Pressure vs. Temperature			

### B3H Series Pressure - temperature Ratings

Material	316 SS				
End Connection	F2, F4 S4, SM6	SM10	S6 SM8	S8	SM12
Temperature, °F(°C)	Working Pressure, psig (bar)				
-40 to 100 (-40 to 37)	10000 (690)	8400 (578)	7500 (516)	6700 (461)	6600 (454)
100 to 200 (37 to 93)	See Pressure vs. Temperature				

## Ordering Information



1. For information about pneumatic and electric actuator, contact the authorized representative or FD-LOK.  
 2. For oxygen or virulent medium service, contact the authorized representative or FD-LOK.  
 3. Cleaning and Packaging  
 FC-01: Standard cleaning and packaging for general industrial procedures.  
 FC-02: Special cleaning and packaging for wetted system components to ensure compliance with product cleanliness requirement as stated in ASTM G93 Level C.

# Bar Stock Ball Valves

## Features

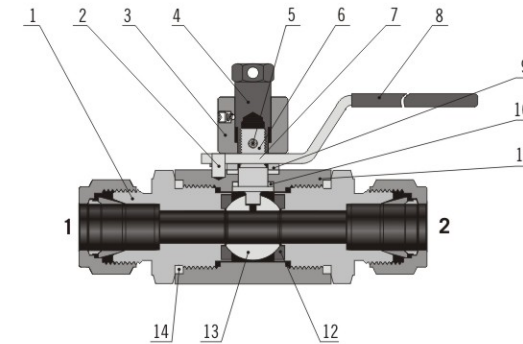
- Working pressure up to 10 000 psig (689 bar)
- Temperature Rating: -50 to 450°F (-46 to 232°C)
- Size from 1/8 in. to 1 in. or 6 mm to 25 mm
- Free floating ball design provides seat wear compensation
- Bi-directional flow for 2-way valves
- Blow out resistant stem with self-sealing function
- 100% factory tested



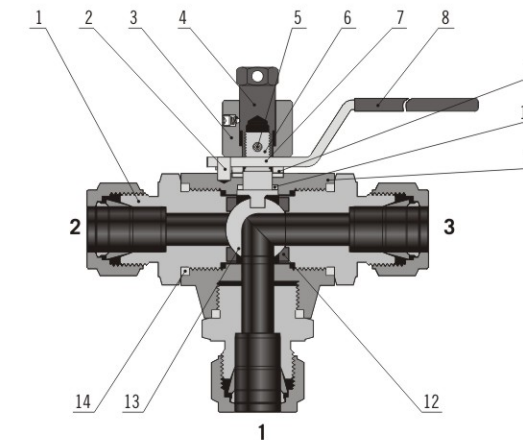
# Bar Stock Ball Valves

## Materials of Construction

### 2-way Valves

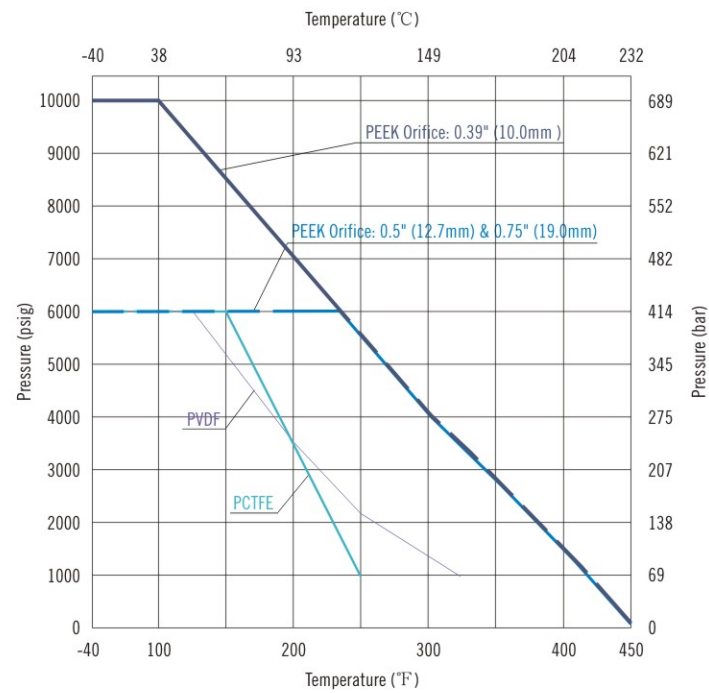


### 3-way Valves

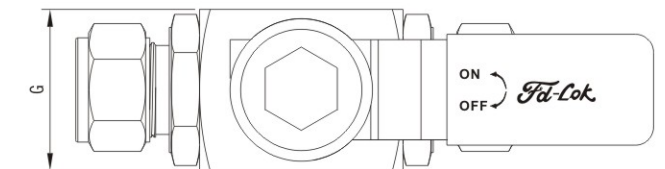


Item	Component	Body Materials		
		316 SS	321 SS	304 SS
1	End connectors	316 SS	321 SS	304 SS
2	Stop pin	Stainless steel		
3	Position lock	316 SS/A276		
4	Gland	316 SS/A276		
5	Set screw	Stainless steel		
6	Stem	316 SS/A276		
7	Handle	Stainless steel		
8	Handle sleeve	vinyl		
9	Stem washer	316 SS/A276		
10	Stem packings	PTFE		
11	Body	316 SS	321 SS	304 SS
12	Seats	PTFE/PCTFE/PEEK		
13	Ball	316 SS/A479		
14	End seals	PTFE/Fluorocarbon FKM/Buna-N		

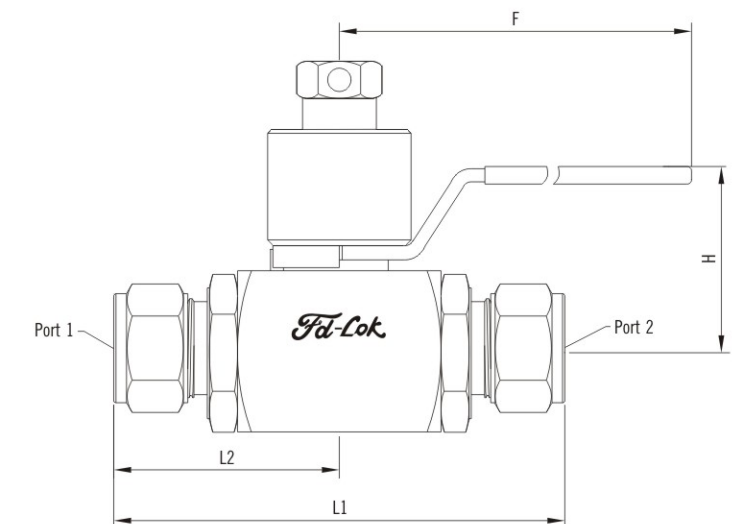
## Pressure vs. Temperature



1. Graphs are for 2-way valves only.
2. Maximum working pressure for 3-way valves:  
6000 psig: connection 1 as inlet, connection 2 and connection 3 as outlet  
3000 psig: connection 2 and connection 3 as inlet, connection 1 as outlet



### 2-way Valves



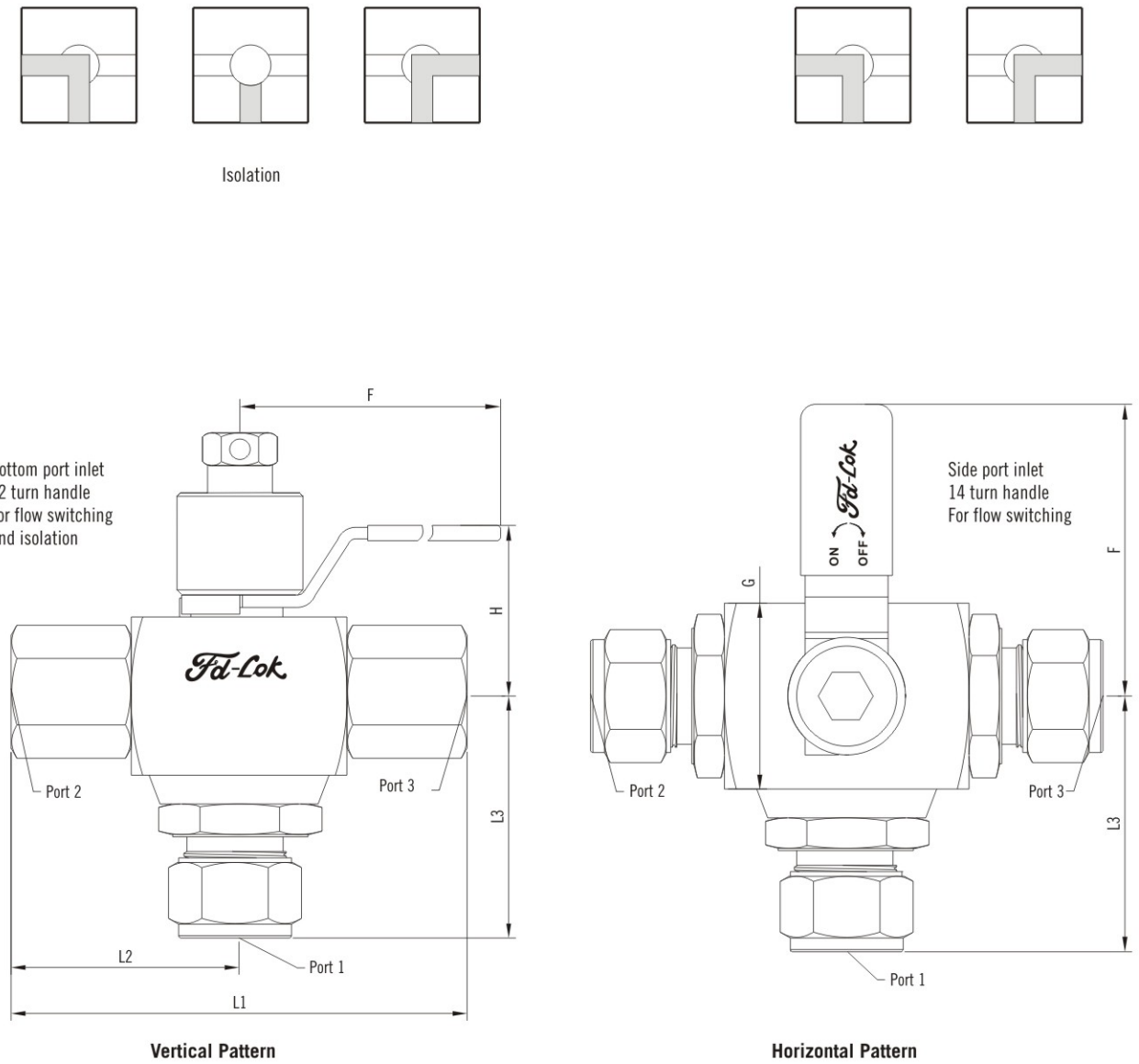


## Dimensions

Basic Model Number	End Connection		Orifice in. (mm)	Cv	Dimensions, in. (mm)								
	Port 1	Port 2			L1	L2	F	H	G				
-B4-SM6-10	6mm FD-LOK	6mm FD-LOK	0.39 (10.0)	1.20	3.54 (90.0)	1.77 (45.0)	5.12 (130.0)	1.73 (44.0)	1.30 (32.0)				
-B4-SM8-10	8mm FD-LOK	8mm FD-LOK		1.20	3.60 (91.6)	1.80 (45.8)							
-B4-SM10-10	10mm FD-LOK	10mm FD-LOK		3.70	3.70 (94.0)	1.85 (47.0)							
-B4-SM12-10	12mm FD-LOK	12mm FD-LOK		7.50	3.94 (100.0)	1.97 (50.0)							
-B4-SM14-10	14mm FD-LOK	14mm FD-LOK		1.20	3.60 (91.6)	1.80 (45.8)							
-B4-S4-10	1/4" FD-LOK	1/4" FD-LOK		3.70	3.72 (94.6)	1.86 (47.3)							
-B4-S6-10	3/8" FD-LOK	3/8" FD-LOK		7.50	3.92 (99.6)	1.96 (49.8)							
-B4-S8-10	1/2" FD-LOK	1/2" FD-LOK			2.52 (64.0)	1.26 (32.0)							
-B4-F4-10	1/4 Female NPT	1/4 Female NPT			2.80 (71.0)	1.40 (35.5)							
-B4-F6-10	3/8 Female NPT	3/8 Female NPT		3.70	3.11 (79.0)	1.56 (39.5)							
-B4-F8-10	1/2 Female NPT	1/2 Female NPT			3.36 (85.4)	1.68 (42.7)							
-B4-M4-10	1/4 Male NPT	1/4 Male NPT		7.50	3.75 (95.2)	1.88 (47.6)							
-B4-M6-10	3/8 Male NPT	3/8 Male NPT			4.04 (102.6)	2.02 (51.3)							
-B4-M8-10	1/2 Male NPT	1/2 Male NPT		0.5 (12.7)	4.12 (104.6)	2.06 (52.3)				5.71 (145.0)	1.89 (48.0)	1.50 (38.0)	
-B4-SM16-13	16mm FD-LOK	16mm FD-LOK			10.0	4.43 (112.6)							2.22 (56.3)
-B4-SM18-13	18mm FD-LOK	18mm FD-LOK			4.36 (110.6)	2.18 (55.3)							
-B4-SM20-13	20mm FD-LOK	20mm FD-LOK	3.54 (90.0)		1.77 (45.0)								
-B4-SM22-13	22mm FD-LOK	22mm FD-LOK			4.14 (105.2)	2.07 (52.6)							
-B4-S10-13	5/8" FD-LOK	5/8" FD-LOK	0.71 (18.0)		19.0	4.87 (123.8)	2.43 (61.9)	6.30 (160.0)	2.08 (53.0)				1.96 (50.0)
-B4-S12-13	3/4" FD-LOK	3/4" FD-LOK			10.0	4.59 (116.6)	2.29 (58.3)						
-B4-F8-13	1/2 Female NPT	1/2 Female NPT			30.0	5.11 (129.8)	2.66 (64.9)						
-B4-F12-13	3/4 Female NPT	3/4 Female NPT				5.11 (129.8)	2.66 (64.9)						
-B4-M12-13	3/4 Male NPT	3/4 Male NPT			30.0	3.54 (90.0)	1.77 (45.0)						
-B4-SM20-19	20mm FD-LOK	20mm FD-LOK		4.26 (108.2)		2.13 (54.1)							
-B4-SM22-19	22mm FD-LOK	22mm FD-LOK		19.0	4.54 (115.2)	2.27 (57.6)							
-B4-SM25-19	25mm FD-LOK	25mm FD-LOK			4.91 (124.8)	2.45 (62.4)							
-B4-S12-19	3/4" FD-LOK	3/4" FD-LOK	30.0	5.11 (129.8)	2.66 (64.9)								
-B4-S16-19	1" FD-LOK	1" FD-LOK		3.54 (90.0)	1.77 (45.0)								
-B4-F12-19	3/4 Female NPT	3/4 Female NPT	19.0	4.26 (108.2)	2.13 (54.1)								
-B4-F16-19	1 Female NPT	1 Female NPT		4.54 (115.2)	2.27 (57.6)								
-B4-M12-19	3/4 Male NPT	3/4 Male NPT	30.0	4.91 (124.8)	2.45 (62.4)								
-B4-M16-19	1 Male NPT	1 Male NPT		5.11 (129.8)	2.66 (64.9)								

Remarks:  
a. FD-LOK means FD-LOK double ferrule tube fittings.  
b. Dimensions shown with FD-LOK nuts finger-tight. All dimensions are for reference only, subject to change. For dimensions not shown above, consult the factory please.  
c. The sizes and types listed are standard. Other sizes and types are available upon request.  
d. Stem packing required periodically check and adjust during the valve service life to prevent seat leakage.  
e. Valves that have not been cycled for a period of time may have a higher initial actuation torque.

## 3-way Valves





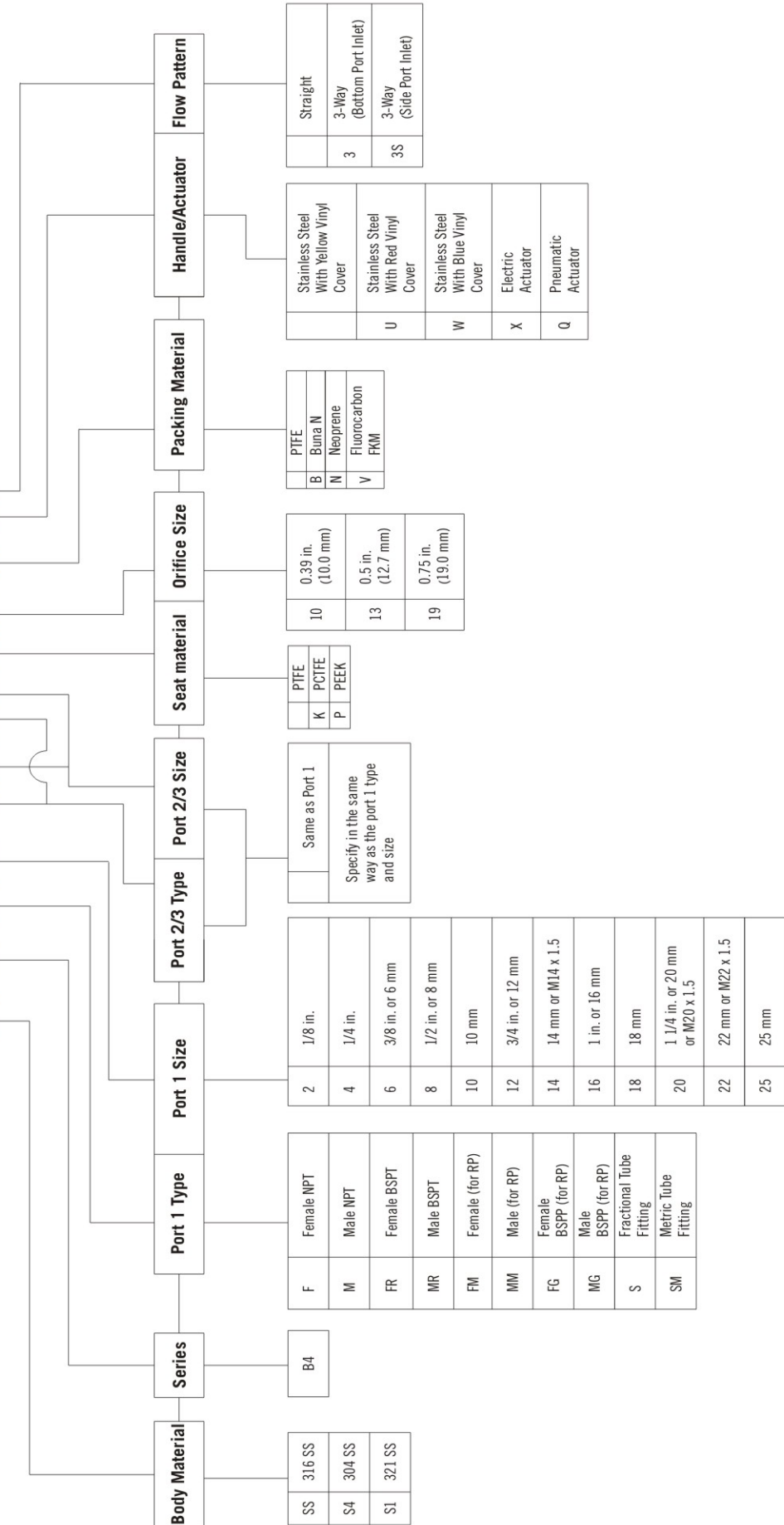
Dimensions

Basic Model Number	End Connection		Orifice in. (mm)	Cv	Dimensions, in. (mm)											
	Port 1	Port 2/3			L1	L2	L3	F	H	G						
-B4-SM6-10-3	6mm FD-LOK	6mm FD-LOK	0.39 (10.0)	1.20	3.54 (90.0)	1.77 (45.0)	2.00 (50.8)	5.12 (130.0)	1.73 (44.0)	1.30 (32.0)						
-B4-SM8-10-3	8mm FD-LOK	8mm FD-LOK		1.20	3.60 (91.6)	1.80 (45.8)	2.02 (51.3)									
-B4-SM10-10-3	10mm FD-LOK	10mm FD-LOK		3.70	3.70 (94.0)	1.85 (47.0)	2.07 (52.5)									
-B4-SM12-10-3	12mm FD-LOK	12mm FD-LOK		7.50	3.94 (100.0)	1.97 (50.0)	2.18 (55.5)									
-B4-SM14-10-3	14mm FD-LOK	14mm FD-LOK		1.20	3.60 (91.6)	1.80 (45.8)	2.02 (51.3)									
-B4-S4-10-3	1/4" FD-LOK	1/4" FD-LOK		3.70	3.72 (94.6)	1.86 (47.3)	2.09 (53.1)									
-B4-S6-10-3	3/8" FD-LOK	3/8" FD-LOK		7.50	3.92 (99.6)	1.96 (49.8)	2.13 (54.0)									
-B4-S8-10-3	1/2" FD-LOK	1/2" FD-LOK		2.52 (64.0)	1.26 (32.0)	1.44 (36.5)	3.11 (79.0)				1.56 (39.5)	1.73 (44.0)				
-B4-F4-10-3	1/4 Female NPT	1/4 Female NPT		2.80 (71.0)	1.40 (35.5)	1.57 (40.0)										
-B4-F6-10-3	3/8 Female NPT	3/8 Female NPT		3.11 (79.0)	1.56 (39.5)	1.73 (44.0)										
-B4-F8-10-3	1/2 Female NPT	1/2 Female NPT		3.70	3.36 (85.4)	1.68 (42.7)	1.90 (48.2)				7.50	3.75 (95.2)	1.88 (47.6)	2.09 (53.1)		
-B4-M4-10-3	1/4 Male NPT	1/4 Male NPT		3.36 (85.4)	1.68 (42.7)	1.90 (48.2)										
-B4-M6-10-3	3/8 Male NPT	3/8 Male NPT	3.75 (95.2)	1.88 (47.6)	2.09 (53.1)											
-B4-M8-10-3	1/2 Male NPT	1/2 Male NPT	0.5 (12.7)	10.0	4.04 (102.6)	2.02 (51.3)	2.41 (61.3)	5.71 (145.0)	1.89 (48.0)	1.50 (38.0)						
-B4-SM16-13-3	16mm FD-LOK	16mm FD-LOK			4.12 (104.6)	2.06 (52.3)	2.45 (62.3)									
-B4-SM18-13-3	18mm FD-LOK	18mm FD-LOK			4.43 (112.6)	2.22 (56.3)	2.61 (66.3)									
-B4-SM20-13-3	20mm FD-LOK	20mm FD-LOK			4.36 (110.6)	2.18 (55.3)	2.57 (65.3)									
-B4-SM22-13-3	22mm FD-LOK	22mm FD-LOK			3.54 (90.0)	1.77 (45.0)	1.95 (49.5)									
-B4-S10-13-3	5/8" FD-LOK	5/8" FD-LOK					2.16 (55.0)									
-B4-S12-13-3	3/4" FD-LOK	3/4" FD-LOK			4.14 (105.2)	2.07 (52.6)	2.46 (62.6)									
-B4-F8-13-3	1/2 Female NPT	1/2 Female NPT			0.71 (18.0)	19.0	4.87 (123.8)				2.43 (61.9)	2.89 (73.4)	6.30 (160.0)	2.08 (53.0)	1.96 (50.0)	
-B4-F12-13-3	3/4 Female NPT	3/4 Female NPT					30.0				5.11 (129.8)	2.66 (64.9)				3.00 (76.2)
-B4-M12-13-3	3/4 Male NPT	3/4 Male NPT					19.0				4.59 (116.6)	2.29 (58.3)				2.75 (69.8)
-B4-SM20-19-3	20mm FD-LOK	20mm FD-LOK					30.0				5.11 (129.8)	2.66 (64.9)				3.00 (76.2)
-B4-SM22-19-3	22mm FD-LOK	22mm FD-LOK														
-B4-SM25-19-3	25mm FD-LOK	25mm FD-LOK	4.26 (108.2)	2.13 (54.1)			2.40 (60.8)									
-B4-S12-19-3	3/4" FD-LOK	3/4" FD-LOK	19.0	4.54 (115.2)			2.27 (57.6)	2.72 (69.1)								
-B4-S16-19-3	1" FD-LOK	1" FD-LOK	30.0	4.91 (124.8)			2.45 (62.4)	2.90 (73.9)								
-B4-F12-19-3	3/4 Female NPT	3/4 Female NPT	30.0	4.91 (124.8)			2.45 (62.4)	2.90 (73.9)								
-B4-F16-19-3	1 Female NPT	1 Female NPT														
-B4-M12-19-3	3/4 Male NPT	3/4 Male NPT														
-B4-M16-19-3	1 Male NPT	1 Male NPT														

- Remarks:
- a. FD-LOK means FD-LOK double ferrule tube fittings.
  - b. Dimensions shown with FD-LOK nuts finger-tight. All dimensions are for reference only, subject to change. For dimensions not shown above, consult the factory please.
  - c. The sizes and types listed are standard. Other sizes and types are available upon request.
  - d. Stem packing required periodically check and adjust during the valve service life to prevent seat leakage.
  - e. Valves that have not been cycled for a period of time may have a higher initial actuation torque.

Ordering Information

SS - B4 - SM 20 - S 12 - F 8 - P 13 - V - U 3



# 3-piece Ball Valves

## Features

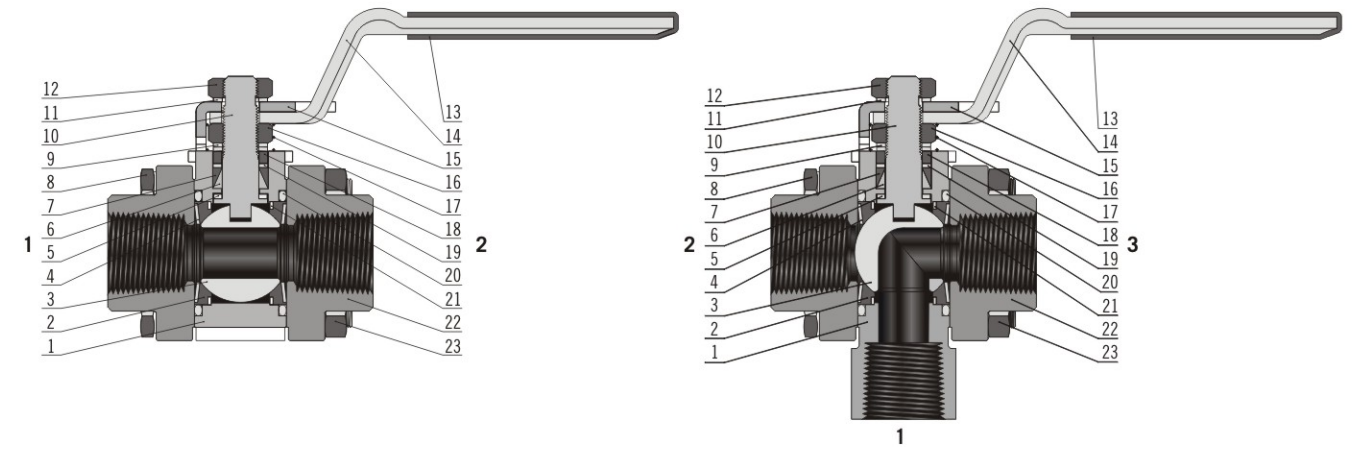
### B5 Series

- Maximum working pressure: 3000 psig (207 bar)
- Working temperature: -20°F to 450°F (-28°C to 232°C)
- End connections:
  - 1/8 to 2 thread
  - 1/8 to 2 pipe butt or socket weld
  - 1/2" to 2" and 12 mm to 50 mm tube butt or socket weld
  - 1/2" to 2" and 12 mm to 38 mm tube fitting
  - 1/2 to 4 flange
- Orifice sizes: 4.8 mm to 50 mm
- Compensating seat design
- Live-loaded V-type stem packing pack for constant sealing
- Blowout proof stem
- Fire-safe design available
- Continuous anti-static protection
- Pneumatic and electric actuation available
- Panel mountable
- Options for handle color
- Pneumatic and electric actuation available
- Leak-tight performance testing for every valve at the maximum working pressure with nitrogen

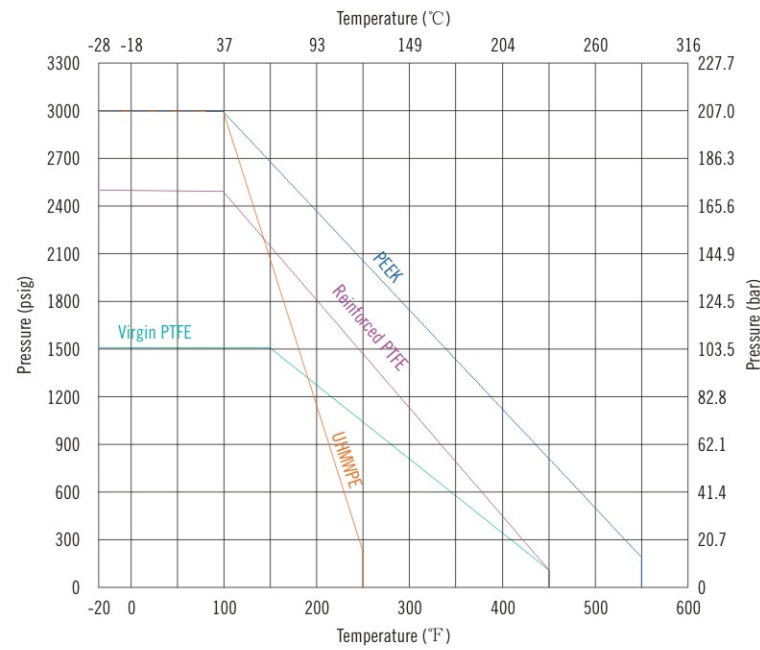


# 3-piece Ball Valves

## Standard Materials of Construction



## Pressure vs. Temperature



Item	Component	Valve Body Material			
		Material Grade/ASME Specification			
1	Body	CF8M/A351	CF3M/A351	CF8/A351	CF3/A351
2	Seat	PTFE/D1710			
3	Ball	316 SS/A276			
4	Coned-disc Spring	Strain-hardened 316 SS/A240			
5	Stem Bearing	PEEK (Polyetheretherketone)			
6	Lower Packing	Reinforced PTFE			
7	Upper Packing	Reinforced PTFE			
8	Body Bolt	Gr. B8M/A193			
9	Stem Spring	Strain-hardened 316 SS/A240			
10	Stem	316 SS/A479			
11	Stem Spring	Strain-hardened 316 SS/A240			
12	Stem Nut	Gr. 8M/A194			
13	Handle Sleeve	Viny			
14	Handle	304 SS/A240			
15	Stop Plate	304 SS/A240			
16	Stem Nut	Gr. 8M/A194			
17	Grounding Spring	302 SS/A313			
18	Gland	PTFE-coated 316 SS/B783			
19	Packing Support	PEEK (Polyetheretherketone)			
20	Flange Seal	Fluorocarbon FKM			
21	Support Ring	316 SS/A240			
22	Flange	CF8M/A351	CF3M/A351	CF8/A351	CF3/A351
23	Body Nut	Gr.8M/A194			
	Lubricants	Silicone-based and PTFE-based			

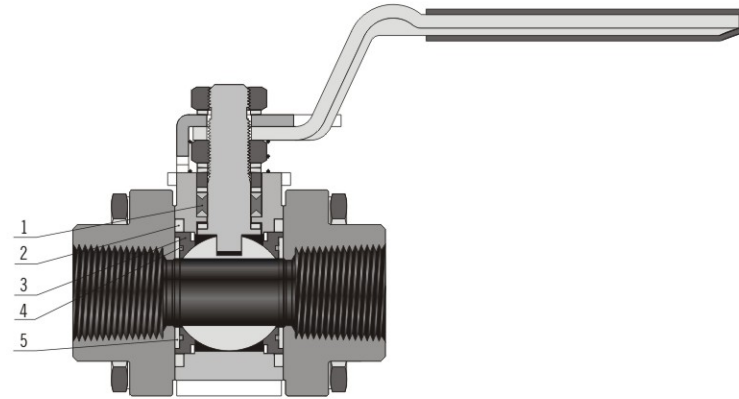
Other materials available upon request.

## 3-piece Ball Valves

### Fire-safe Application

#### Features

- Maximum working pressure: 2200psig (152bar)
- Working temperature: -20°F to 400°F (-28°C to 244°C)
- Live-loaded Graphite stem packing
- High strength metal stem bearing
- Encased 8-bolt construction
- Graphite flange seals and seat seals
- Fire-safe valves are designed, tested to meet the requirement of API 607 4th edition

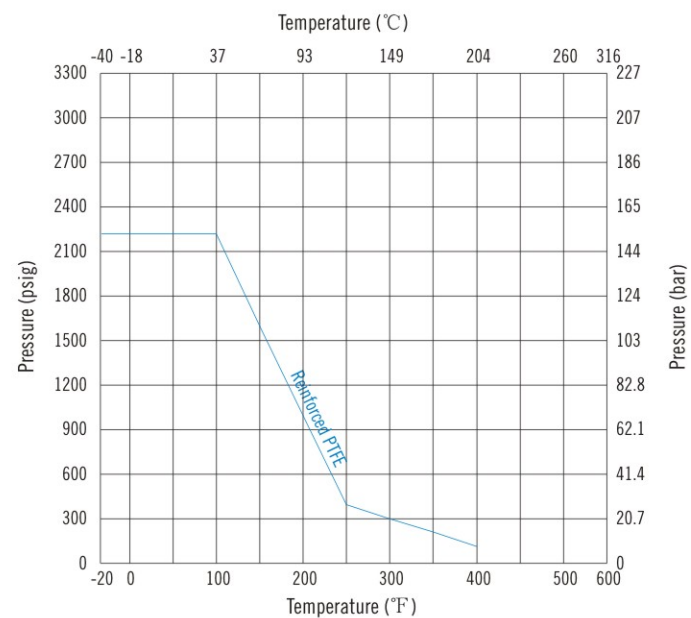


### Standard Materials of Construction

Item	Component	Valve Body Material			
		CF8M/A351	CF3M/A351	CF8/A351	CF3/A351
1	Packing	Graphite			
2	Flange Seal	Graphite with 316 SS wire			
3	Seat	Reinforced PTFE			
4	Seat Ring	Graphite with 316 SS wire			
5	Coned-disc spring	Grafoil-lined 316 SS/A167			

All other components are same as general application.

### Pressure vs. Temperature

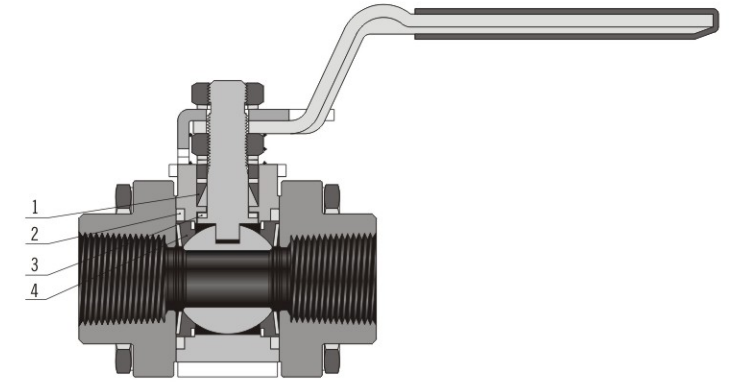


## 3-piece Ball Valves

### Steam Service

#### Features

- Maximum working pressure: 2500psig (172bar)
- Working temperature: -20°F to 600°F (-28°C to 316°C)
- Encased 8-bolt construction
- Graphite flange seals
- PEEK seats and stem seals

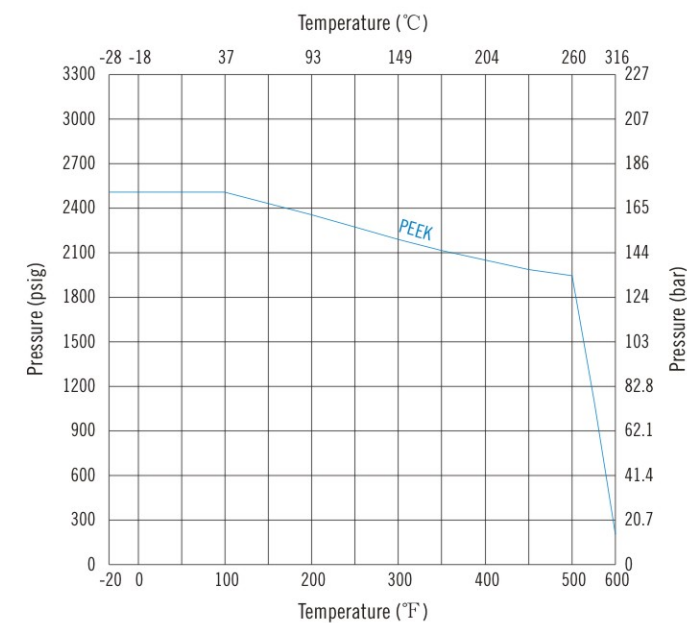


### Materials of Construction

Item	Component	Valve Body Material			
		CF8M/A351	CF3M/A351	CF8/A351	CF3/A351
1	Packing	Molybdenum disulfide-coated PEEK			
2	Flange Seal	Graphite with 316 SS			
3	Stem bearing	Molybdenum disulfide-coated PEEK			
4	Seat	Molybdenum disulfide-coated PEEK			
	Lubricant	PTFE-based			

All other components are same as general application.

### Pressure vs. Temperature

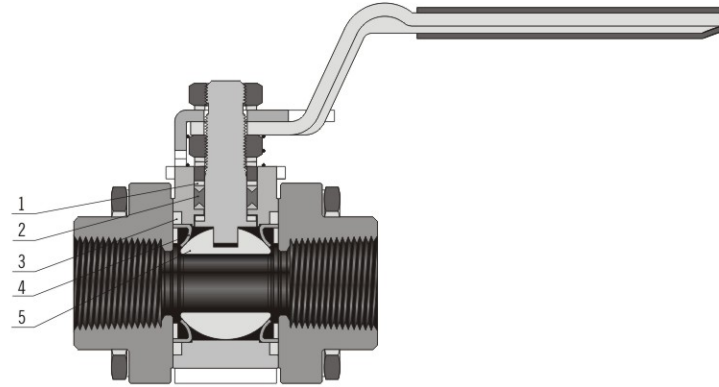




## Thermal Service

### Features

- Maximum working pressure: 1000psig (68.9bar)
- Working temperature: -65°F to 850°F (-54°C to 454°C)
- Spring-loaded metal seats
- Encased 8-bolt Construction

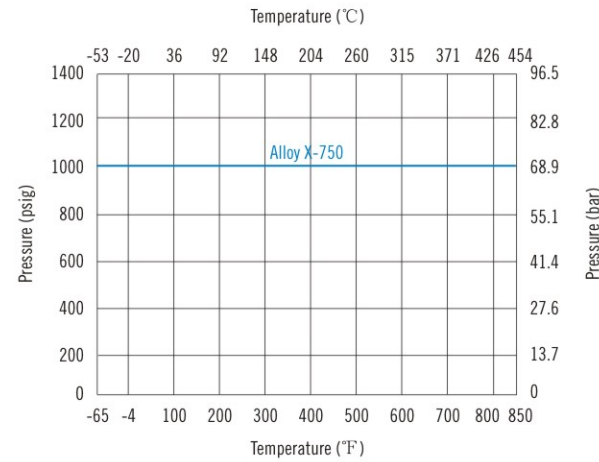


## Materials of Construction

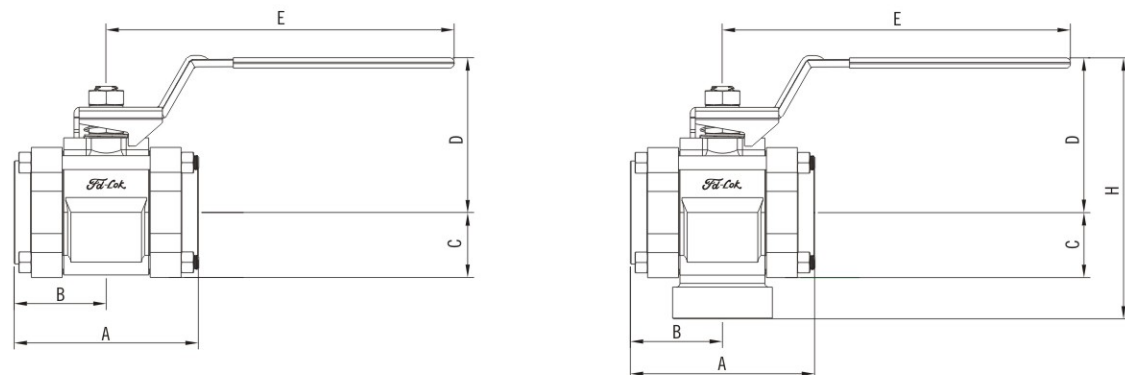
Item	Component	Valve Body Material			
		CF8M/A351	CF3M/A351	CF8/A351	CF3/A351
1	Packing bearing	Alloy X-750 /AMS 5542			
2	Packing	Graphite with 316 SS			
3	Flange seal	Graphite with 316 SS			
4	Seat	Alloy X-750 /AMS 5542			
5	Ball	S17400 SS/A564			
Lubricant		Fluorinated tungsten disulfide			

All other components same as general application.

## Pressure vs. Temperature



## Dimensions



## Dimensions

Basic Ordering Number	Connection Type and Size		Orifice in. (mm)	Cv	Dimension, in. (mm)					
	Connection 1	Connection 2/3			A	B	C	D	E	H
-B5-S4-05	1/4" FD-LOK	1/4" FD-LOK	0.188 (4.8)	1.2	3.17 (80.5)	1.59 (40.4)	0.68 (17.3)	2.37 (60.2)	1.66 (42.2)	3.35 (85.1)
-B5-SM6-05	6 mm FD-LOK	6 mm FD-LOK								
-B5-SM8-05	8 mm FD-LOK	8 mm FD-LOK								
-B5-SW4-05	1/4" SW	1/4" SW								
-B5-MS6-05	3/8" MS	3/8" MS								
-B5-PB4-05	1/4 PB	1/4 PB								
-B5-F2-07	1/8 Female NPT	1/8 Female NPT	0.281 (7.1)	3.8	2.16 (54.9)	1.08 (27.4)	0.68 (17.3)	1.66 (41.2)	2.37 (60.2)	3.12 (79.2)
-B5-FR2-07	1/8 Female BSPT	1/8 Female BSPT								
-B5-FG2-07	1/8 Female BSPP	1/8 Female BSPP								
-B5-F4-07	1/4 Female NPT	1/4 Female NPT								
-B5-FR4-07	1/4 Female BSPT	1/4 Female BSPT								
-B5-FG4-07	1/4 Female BSPP	1/4 Female BSPP								
-B5-S5-07	5/16" FD-LOK	5/16" FD-LOK								
-B5-S6-07	3/8" FD-LOK	3/8" FD-LOK								
-B5-SM10-07	10 mm FD-LOK	10 mm FD-LOK								
-B5-SW6-07	3/8" SW	3/8" SW								
-B5-PB6-07	3/8 PB	3/8 PB								
-B5-S8-10	1/2" FD-LOK	1/2" FD-LOK	0.406 (10.3)	7.5	4.04 (102.6)	2.02 (51.3)	0.89 (22.6)	2.35 (59.7)	4.50 (114.0)	4.48 (114)
-B5-SM12-10	12 mm FD-LOK	12 mm FD-LOK	0.375 (9.5)							
-B5-SW8-10	1/2" SW	1/2" SW	0.411 (10.4)							
-B5-F6-13	3/8 Female NPT	3/8 Female NPT	0.516 (13.1)	12	2.70 (68.6)	1.35 (34.3)	0.89 (22.6)	2.35 (59.7)	4.50 (114.0)	4.19 (106)
-B5-FR6-13	3/8 Female BSPT	3/8 Female BSPT								
-B5-FG6-13	3/8 Female BSPP	3/8 Female BSPP								
-B5-F8-13	1/2 Female NPT	1/2 Female NPT								
-B5-FR8-13	1/2 Female BSPT	1/2 Female BSPT								
-B5-FG8-13	1/2 Female BSPP	1/2 Female BSPP								
-B5-S12-13	3/4" FD-LOK	3/4" FD-LOK								
-B5-SM16-13	16 mm FD-LOK	16 mm FD-LOK								
-B5-SM18-13	18 mm FD-LOK	18 mm FD-LOK								
-B5-SW12-13	3/4" SW	3/4" SW								
-B5-PS8-13	1/2 PS	1/2 PS								
-B5-PB8-13	1/2 PB	1/2 PB								
				15	2.69 (68.3)	1.34 (34.0)				



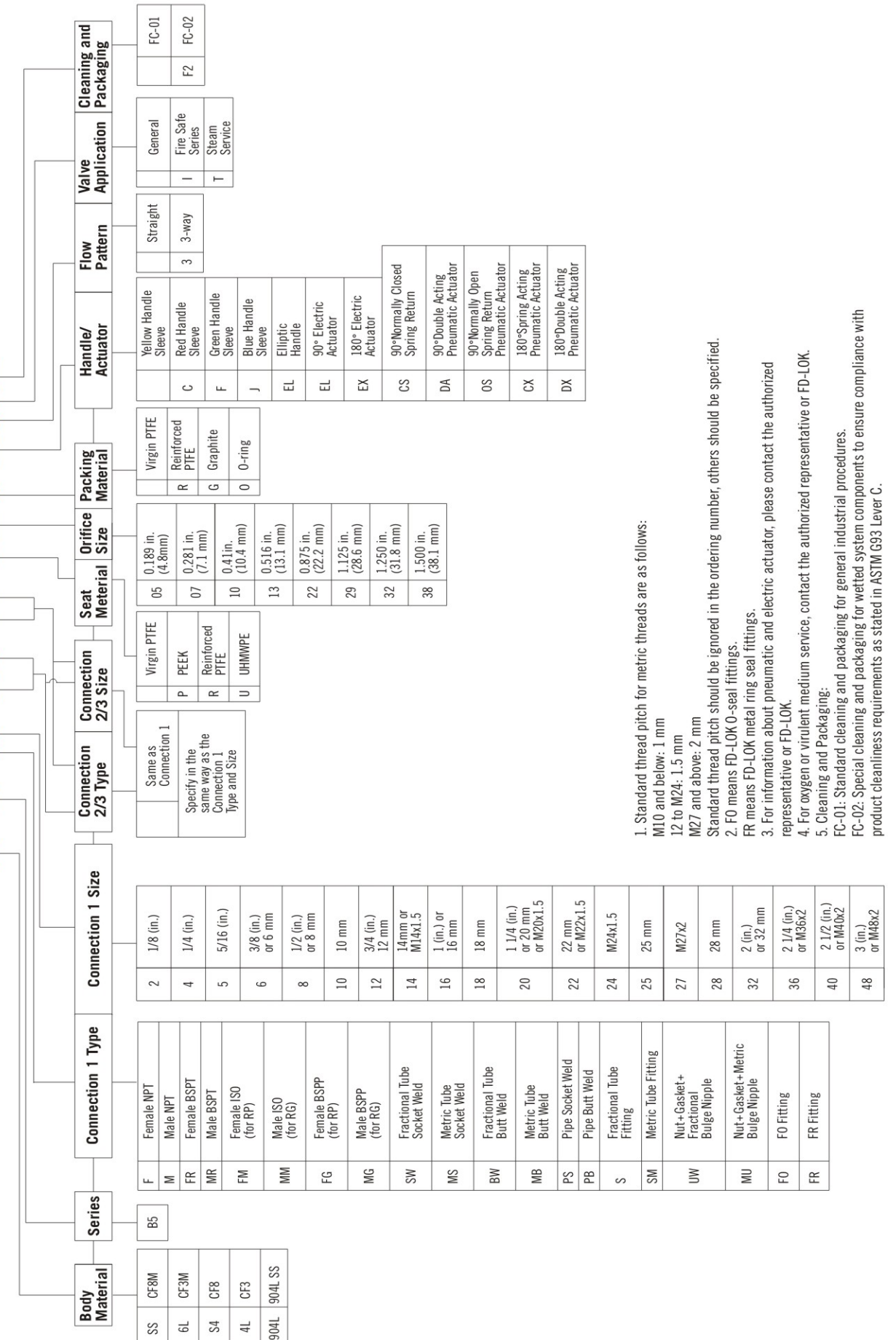
## Dimensions

Basic Ordering Number	Connection Type and Size		Orifice in. (mm)	Cv	Dimension, in. (mm)						
	Connection 1	Connection 2/3			A	B	C	D	E	H	
-B5-PB12-13	3/4 PB	3/4 PB	0.516 (13.1)	13.6	2.69 (68.3)	1.34 (34)	0.89 (22.6)	2.35 (59.7)	4.5 (114)		
-B5-F12-22	3/4 Female NPT	3/4 Female NPT	0.875 (22.2)	31	3.59 (91.2)	1.8 (45.7)				5.45 (138)	
-B5-FR12-22	3/4 Female BSPT	3/4 Female BSPT									
-B5-FG12-22	3/4 Female BSPP	3/4 Female BSPP									
-B5-F16-22	1 Female NPT	1 Female NPT									
-B5-FR16-22	1 Female BSPT	1 Female BSPT		38	4.45 (113)	2.23 (56.6)					
-B5-FG16-22	1 Female BSPP	1 Female BSPP									
-B5-S16-22	1" FD-LOK	1" FD-LOK		40	5.36 (136)	2.68 (68)	1.25 (31.8)	2.94 (74.7)	6 (152)		5.91 (150)
-B5-S20-22	1 1/4" FD-LOK	1 1/4" FD-LOK									
-B5-SM25-22	25 mm FD-LOK	25 mm FD-LOK		40	5.36 (136)	2.68 (68)					
-B5-SM28-22	28 mm FD-LOK	28 mm FD-LOK									
-B5-SW16-22	1" SW	1" SW		38	3.59 (91.2)	1.8 (45.7)					
-B5-MS25-22	25 mm MS	25 mm MS									
-B5-PS12-22	3/4 PS	3/4 PS		36	3.59 (91.2)	1.8 (45.7)					
-B5-PS16-22	1 PS	1 PS									
-B5-PB12-22	3/4 PB	3/4 PB		36	3.46 (87.9)	1.73 (43.9)	1.25 (31.8)				
-B5-PB16-22	1 PB	1 PB									
-B5-SW20-29	1 1/4" SW	1 1/4" SW	80	4.39 (112)	2.19 (55.6)	1.53 (38.9)	4.03 (102)	9.14 (232)			
-B5-PB20-29	1 1/4 PB	1 1/4 PB									
-B5-F20-32	1 1/4 Female NPT	1 1/4 Female NPT	1.25 (31.8)	100	4.39 (112)	2.19 (55.6)	1.53 (38.9)	4.03 (102)	9.14 (232)	6.86 (174)	
-B5-F24-32	1 1/2 Female NPT	1 1/2 Female NPT									
-B5-SW24-32	1 1/2" SW	1 1/2" SW									
-B5-PS20-32	1 1/4 PS	1 1/4 PS									
-B5-PS24-32	1 1/2 PS	1 1/2 PS	100	4.57 (116)	2.28 (57.9)						
-B5-PB24-32	1 1/2 PB	1 1/2 PB									
-B5-F32-38	2 Female NPT	2 Female NPT	1.5 (38.1)	130	4.94 (125.4)	2.47 (62.7)	1.74 (44.2)	4.16 (106)	9.14 (232)	7.21 (183)	
-B5-FR32-38	2 Female BSPT	2 Female BSPT									
-B5-SW32-38	2" SW	2" SW									
-B5-PS32-38	2 PS	2 PS									
-B5-PB32-38	2 PB	2 PB									
											5.09 (129)

- FD-LOK means FD-LOK double ferrule tube fittings, SW means fractional tube socket weld, MS means metric tube socket weld, BW means fractional tube butt weld, MB means metric tube butt weld, PS means pipe socket weld, PB means pipe butt weld.
  - Sizes and types listed are standard. Other sizes and types are available upon request, refer to the ordering information.
  - Dimensions are shown with FD-LOK nuts finger
- For dimensions not shown above, please contact the authorized representative or FD-LOK.

## Ordering Information

### SS - B5 - F 8 - FR 8 - S 8 - P 13 R - OS 3 I F 2



1. Standard thread pitch for metric threads are as follows:  
M10 and below: 1 mm  
M12 to M24: 1.5 mm  
M27 and above: 2 mm

Standard thread pitch should be ignored in the ordering number, others should be specified.  
2. FO means FD-LOK O-seal fittings.  
FR means FD-LOK metal ring seal fittings.

3. For information about pneumatic and electric actuator, please contact the authorized representative or FD-LOK.

4. For oxygen or virulent medium service, contact the authorized representative or FD-LOK.

5. Cleaning and Packaging:

FC-01: Standard cleaning and packaging for general industrial procedures.  
FC-02: Special cleaning and packaging for wetted system components to ensure compliance with product cleanliness requirements as stated in ASTM G93 Lever C.