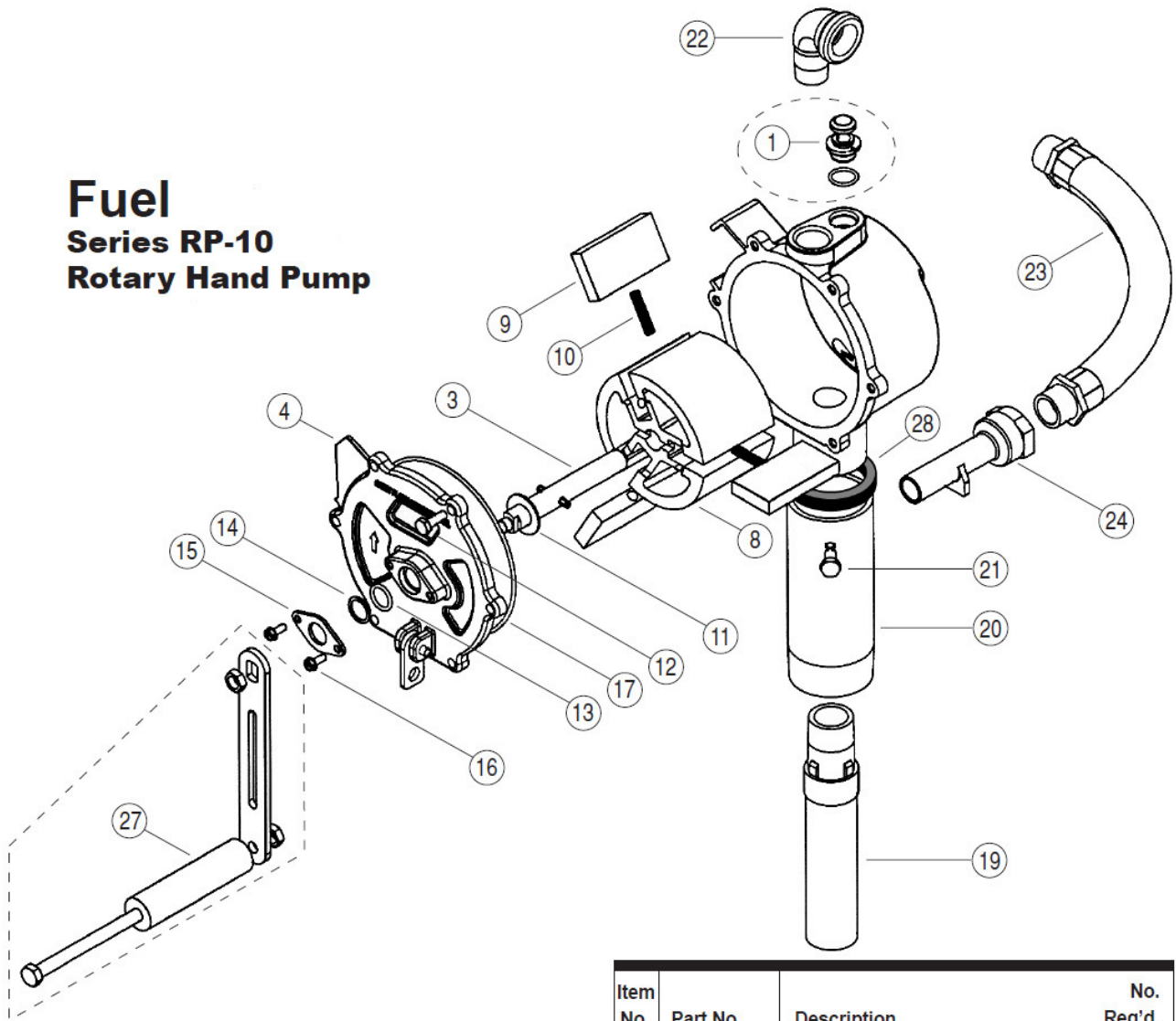


# Fuel Series RP-10 Rotary Hand Pump



## Items Not Shown

- 114036-1 Plastic Nozzle
- 901001-90 Base O-Ring

## Kits and Accessories

- A** 123501-1 Shaft Seal Kit (includes O-Ring, Back-up Ring & Seal)
- B** 123503-1 Overhaul Kit (includes Vanes, Springs & Shaft Seal Kit)
- 123505-3 Hardware Kit
- 115527-2 Suction Pipe Extension, 15 in. or 38.1 cm

Item No.	Part No.	Description	No. Req'd.
1	123504-1	Anti-Siphon Vent Kit .....	1
3	123507-1	Shaft Assy Kit.....	1
4	123008-1	Coverplate.....	1
8	123509-1	Rotor with Springs Kit .....	1
9	123011-1	Vanes or (Kit <b>B</b> ) .....	3
10	123012-1	Spring or (Kit <b>B</b> ).....	3
11	904004-71	Washer.....	1
12	904004-16	Screw, 1/4-20 x 3/4 in. ....	6
13	901003-63	O-Ring or (Kit <b>A</b> & <b>B</b> ) .....	1
14	901002-58	Back-up Ring or (Kit <b>A</b> & <b>B</b> ).....	1
15	123013-1	Retainer .....	1
16	904004-60	Retainer Screws.....	2
17	901003-64	O-Ring or (Kit <b>A</b> ).....	1
19	110100-1	Suction Pipe Assy .....	1
20	123015-1	Riser.....	1
21	904004-59	Set Screws.....	2
22	904004-73	Elbow Fitting .....	1
23	114045-1	Hose Assy .....	1
24	114047-1	Metal Nozzle .....	1
27	123506-1	Crank Assy Kit.....	1
28	12304001	Seal, RP-10 Riser .....	1