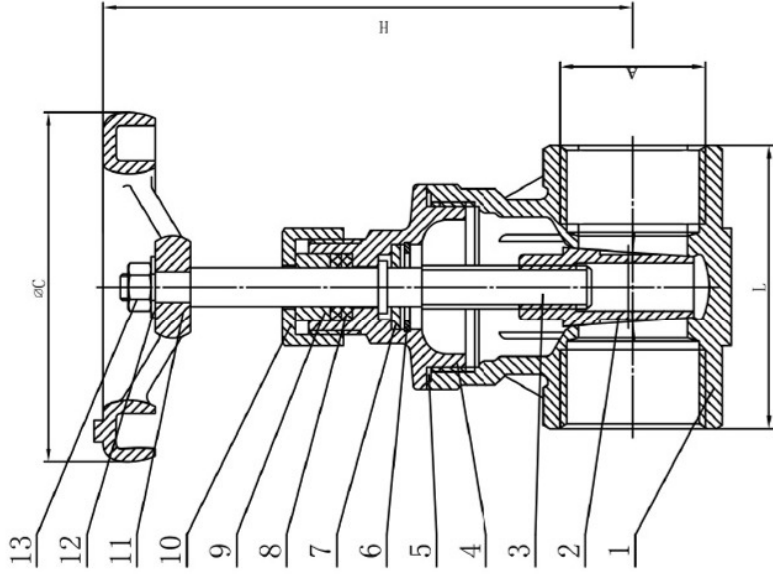
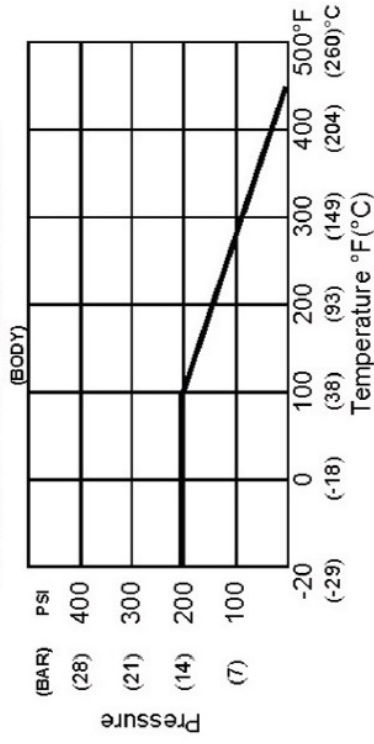


GATE VALVE BSPP



| Main Technical Parameter | | |
|--|---------------------|---------|
| Normal pressure | 200 PSI | |
| Test pressure | Shell test pressure | 3.8 MPa |
| | Tightness test | 2.8 MPa |
| Gas-Tightness test | 0.6 MPa | |
| Max working temperature | -20~180 °C | |
| Applicable medium: water, gas, oil, acid | | |

PRESSURE TEMPERATURE RATINGS



| No. | Parts name | Material | No. | Parts name | Material |
|-----|----------------|----------------|-----|---------------|----------------|
| 1 | Disc | ASTM A276 316 | 9 | Gland | ASTM A276 304 |
| 2 | Body | ASTM A351 CF8M | 10 | Cap Nut | ASTM A351 CF8M |
| 3 | Stem | ASTM A276 316 | 11 | Handwheel | QT400-18 |
| 4 | Cap | ASTM A351 CF8M | 12 | Spring washer | ASTM A193-B8 |
| 5 | Gasket | PTFE | 13 | Handle nut | ASTM A194-B8M |
| 6 | Stop Gasket | ASTM A276 304 | 14 | | |
| 7 | Washer | ASTM A276 304 | 15 | | |
| 8 | V-Ring Packing | PTFE | 16 | | |

Sizes : 3/8" to 3"
 Working pressure : 200 PSI (14 bar)
 Non rising stem
 Body : CF8M 316
 Solid wedge disc
 Threaded ends : ISO 228/1 BSPP
 For chemical and industrial applications
 Inspection test to API 598

| SIZE BSPP | PART No | A | L | H | C | CV FACTOR | Kg |
|-----------|---------|----|-------|-----|-----|-----------|------|
| 3/8 | GV06 | 12 | 55 | 95 | 70 | 16 | 0.30 |
| 1/2 | GV08 | 16 | 55 | 95 | 70 | 19 | 0.42 |
| 3/4 | GV12 | 20 | 60 | 102 | 70 | 37 | 0.56 |
| 1 | GV16 | 26 | 65 | 115 | 80 | 64 | 0.75 |
| 1 1/4 | GV20 | 32 | 75 | 130 | 80 | 103 | 1.00 |
| 1 1/2 | GV24 | 40 | 80 | 145 | 100 | 143 | 1.50 |
| 2 | GV32 | 50 | 95 | 170 | 100 | 360 | 1.95 |
| 2 1/2 | GV40 | 65 | 106.5 | 200 | 126 | 440 | 4.60 |
| 3 | GV48 | 80 | 116.5 | 218 | 126 | 520 | 7.80 |