

# Static Grounding Reels

• Aircraft Refueling

## WARNING

These reels are for static grounding ONLY.  
NOT intended for lightning protection!

### For refueling or hazardous areas.

- These reels bond and/or ground aircraft, fuel trucks, and other equipment.
- Provide smooth operation and require minimum cable pull.
- Declutching arbor and adjustable guide arm with cable guide.
- Optional stainless steel construction of spool, frame, and ratchet system available on HGR Series.
- Standard finish is oven-cured enamel.
- Also available, manual rewind version.



**Model HGR50**  
(Shown with optional "Y" branch)



**Model SSHGR50**  
(Optional unpolished stainless steel HGR50)



**Model MHGR50**



**Model HGR100**



**Model MHGR100**



**Model GR75**



**Model MGR75**

All reels shown with optional pcc cable and clamp.

# Series **GR/HGR**

- Available with 1/8", 7 x 19 galvanized carbon steel cable.
- 100 amp Alligator clamp.
- Stainless steel or plastic-covered cable and "Y" branches are available at an additional charge.
- Cable guide arm of cast aluminum and ZA-12 aluminum zinc alloy.

### Series **GR75**

- Sealed spring is a good economical choice that's compact and lightweight.

### Series **HGR**

- A non-sparking ratchet assembly.
- Reels are repairable and parts are readily available.
- Supplied with 18" long grounding strap with eyelet connectors on both ends.

### Parts Drawings: HGR Series – ISO 10 and MHGR Series – ISO 234

Model Number	Cable Capacity of Reel feet m	Approx. Weight lb. kg		Reel Dimensions*** in. mm									
		Without Cable	With Cable	A	B	C	D	E	F	G	H	X	Y
<b>GR75</b>	<b>75</b>	<b>11</b>	<b>14*</b>	<b>2</b>	<b>2</b>	<b>7</b>	<b>9</b>	<b>9.25</b>	<b>3.5</b>	<b>9.88</b>	<b>5.06</b>	<b>1</b>	<b>7.88</b>
	23	5	6	51	51	178	229	235	89	251	129	25	200
† <b>MGR75</b>	<b>75†</b>	<b>11</b>	<b>13*</b>	<b>2</b>	<b>2</b>	<b>7</b>	<b>9</b>	<b>9.25</b>	<b>5.25</b>	<b>9.88</b>	<b>5.06</b>	<b>1</b>	<b>7.88</b>
	23†	5	6	51	51	178	229	235	133	251	129	25	200
<b>HGR50</b>	<b>75</b>	<b>28</b>	<b>30*</b>	<b>4</b>	<b>1.25</b>	<b>10.75</b>	<b>11.5</b>	<b>14.25</b>	<b>5.5</b>	<b>16.75</b>	<b>8.88</b>	<b>2.38</b>	<b>7.5</b>
	23	13	14	102	32	273	292	362	159	425	226	60	191
† <b>MHGR50</b>	<b>125†</b>	<b>19</b>	<b>23*</b>	<b>4</b>	<b>1.25</b>	<b>10.75</b>	<b>11.5</b>	<b>14.25</b>	<b>6.25</b>	<b>16.75</b>	<b>8.88</b>	<b>2.38</b>	<b>7.5</b>
	38†	9	10	102	32	273	292	362	159	425	226	60	191
<b>HGR100</b>	<b>100</b>	<b>37</b>	<b>41*</b>	<b>4</b>	<b>1.25</b>	<b>13.25</b>	<b>11.5</b>	<b>16.75</b>	<b>5.5</b>	<b>17.75</b>	<b>8.88</b>	<b>2.38</b>	<b>7.5</b>
	30	17	19	102	32	337	292	425	140	451	226	60	191
† <b>MHGR100</b>	<b>175†</b>	<b>25</b>	<b>31*</b>	<b>4</b>	<b>1.25</b>	<b>13.25</b>	<b>11.5</b>	<b>16.75</b>	<b>6.25</b>	<b>17.75</b>	<b>8.88</b>	<b>2.38</b>	<b>7.5</b>
	53†	11	14	102	32	337	292	425	159	451	226	60	191

**Optional GTP Gator® Clamp**  
(GTP-9654)  
Part No. 9951.0032



**Optional Browne Clamp**  
(ALS-10)  
Part No. 9951.0031

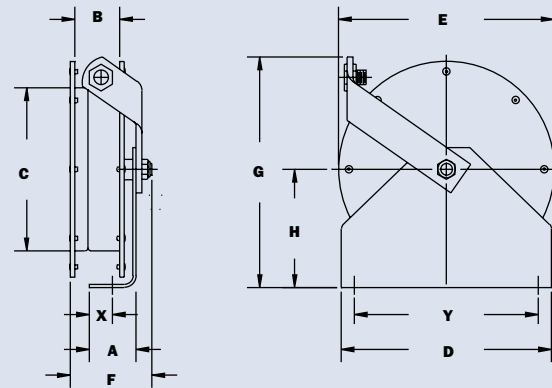


**Optional Grounding Jack**  
per MIL-C-8341D/4  
Part No. 9951.0033

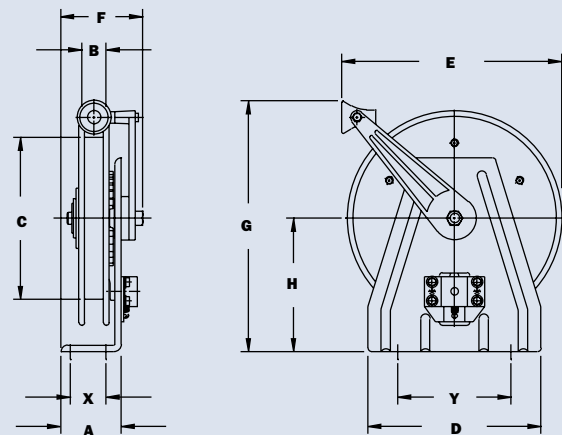


**Notes:**

1. Specifications subject to change.
  2. When ordering, specify model number, gauge, O.D., length, and coating if required.
  3. Specify "Y" branch if required.
  4. **Finish:** Refer to page 2.
- \*Reels can be shipped as a parcel package (via FedEx or UPS Ground).  
\*\*\* X, Y indicate mounting holes. See page 2.  
† Capacities shown are for PCC (plastic coated cable). Capacities may be higher for uncoated cable; consult factory.



Model GR75/MGR75 – GR75 shown



Model HGR50/HGR100/MHGR50 – HGR shown