

# Stainless Steel Swing Check Valve - Flanged ANSI 150

LV 6865

Flanged ANSI 150, CF8M Stainless Steel Body, Cover & Disc

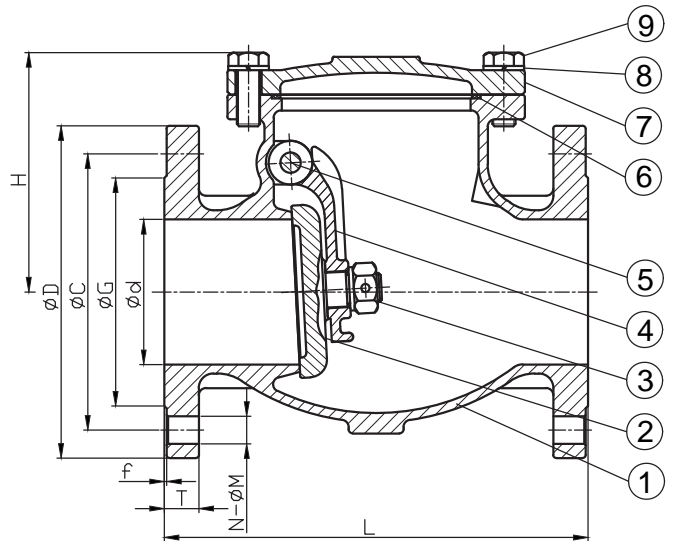


### Pressure / Temperature Specifications

Pressure	Class 150
Temperature	-20°C to 180°C

### Material Specifications

1. Body	CF8M Stainless Steel
2. Disc	CF8M Stainless Steel
3. Nut	AISI 316 Stainless Steel
4. Arm Hinge	CF8M Stainless Steel
5. Hing Pin	AISI 316 Stainless Steel
6. Gasket	PTFE
7. Cap	CF8M Stainless Steel
8. Spring Washers	AISI 304 Stainless Steel
9. Bolt	AISI 304 Stainless Steel
10. Bolt	AISI 304 Stainless Steel
11. Bolt	AISI 304 Stainless Steel
12. Disc Cap	CF8M Stainless Steel



### Valve Dimensions

Size	d	L	H	D	C	G	f	T	Kg
1"	25	135	64	108	79	51	2	16	3.1
1½"	40	165	75	127	98	73	2	16	6.1
2"	50	203	97	152	121	92	2	18	8.5
2½"	65	216	111	178	140	105	2	18	12.2
3"	80	241	120	191	152	127	2	20	16.8
4"	100	292	162	229	191	157	2	20	25.8
6"	150	356	203	279	241	216	2	22	50.0

