

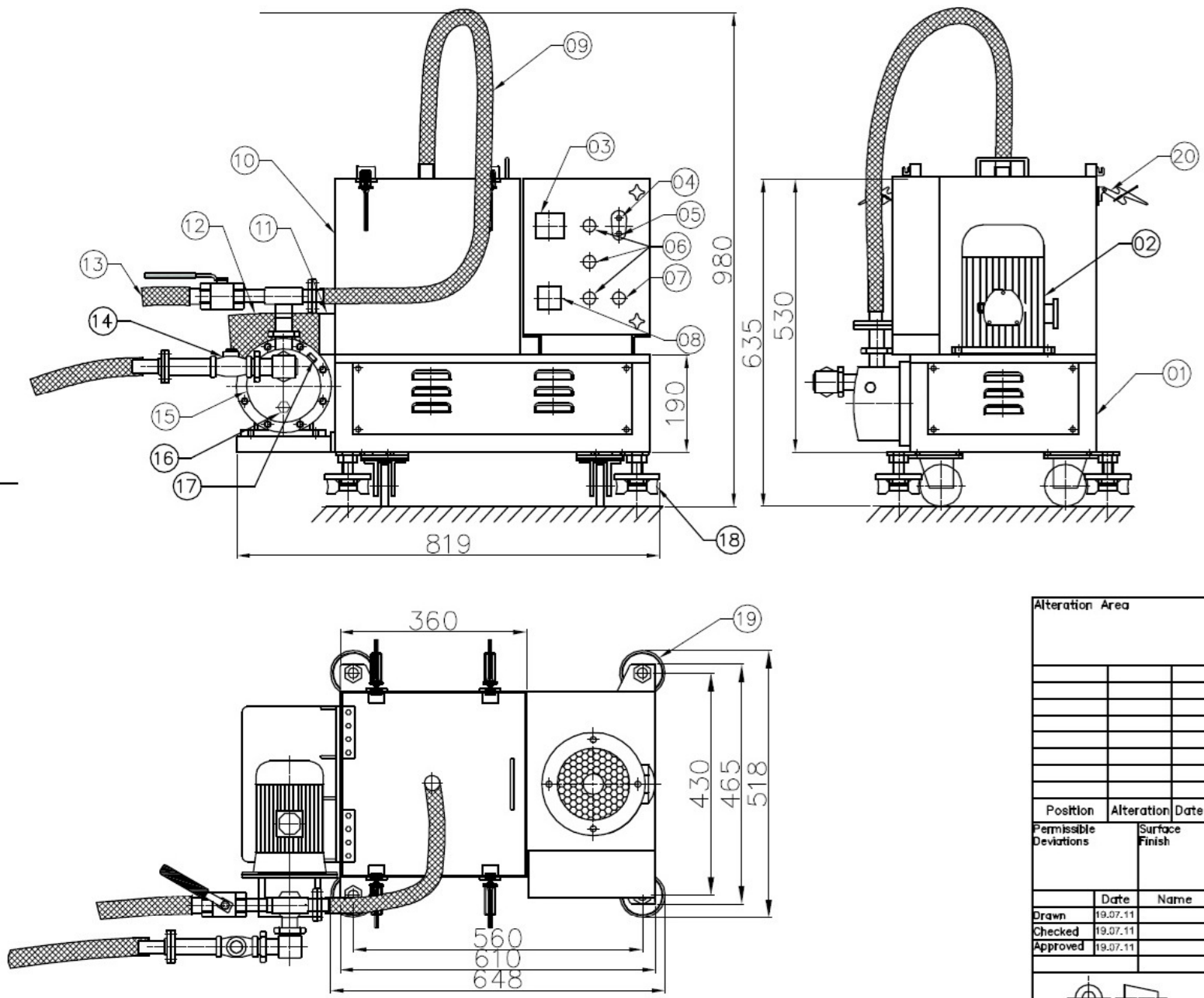
NOTE:
1.ALL DIMENSIONS ARE IN MM
UNLESS OTHERWISE SPECIFIED.

| | | |
|---------|--------------------------|------|
| 20 | COVER CLAMPS | 04 |
| 19 | CASTOR WHEELS | 04 |
| 18 | ANTI-VIBRATION MOUNTINGS | 04 |
| 17 | PRIMING PLUG | 01 |
| 16 | PUMP DRAIN PLUG | 01 |
| 15 | PUMP 70LPM / 0.50HP | 01 |
| 14 | NON RETURN VALVE | 01 |
| 13 | BYPASS HOSE | 01 |
| 12 | DRAIN HOSE | 01 |
| 11 | DRAIN SOCKET 2.5" BSP | 01 |
| 10 | ROTOR HOUSING | 01 |
| 9 | CENTRIFUGE INLET HOSE 1" | 01 |
| 8 | HOUR METER | 01 |
| 7 | MOTOR ON INDICATOR | 01 |
| 6 | R Y B | 03 |
| 5 | OFF SWITCH | 01 |
| 4 | ON SWITCH | 01 |
| 3 | MCB | 01 |
| 2 | DRIVE MOTOR 3 HP | 01 |
| 1 | STRUCTURE | 01 |
| SR. NO. | ITEM | QTY. |

| Position | Alteration | Date | Name |
|----------|------------|------|------|
| | | | |
| | | | |
| | | | |
| | | | |
| | | | |
| | | | |
| | | | |
| | | | |
| | | | |
| | | | |

BILL OF MATERIALS.

| | | | | | |
|-------------------------------|----------------|-------------|-------------------|-----------------|---------|
| Permissible Deviations | Surface Finish | Scale | N.T.S. | Weight: | 130 Kg. |
| Material Row Material Die No. | | | | | |
| Drawn | Date | Name | Description | | |
| Checked | 19.07.11 | | (ASSEMBLY) | | |
| Approved | 19.07.11 | | | | |
| Belongs to | | Substitutes | | Sheet 1 OF 1 | |



Oilybits Ltd