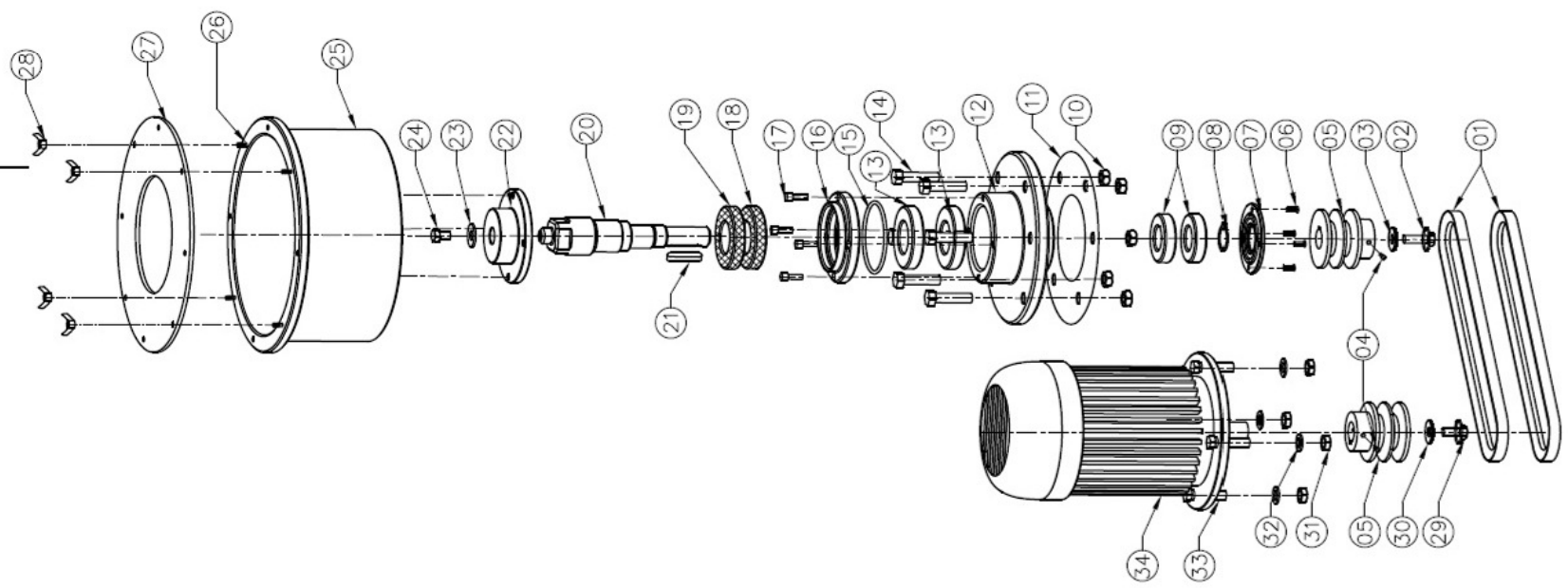


NOTE:  
 1. ALL DIMENSIONS ARE IN MM  
 UNLESS OTHERWISE SPECIFIED.  
 2. DEBURR ALL SHARP CORNERS.



34	DRIVE MOTOR, 3Ph, 3HP, 2880 RPM	01
33	MOTOR FIXING BOLT M10X45	04
32	WASHER-DRIVE MOTOR M10	04
31	NUT-DRIVE MOTOR M10	04
30	LOCK WASHER KM5	01
29	SPECIAL BOLT MBX45	01
28	WING NUT	04
27	ROTOR BOWL COVER	01
26	STUD BOLT 6X30	02
25	ROTOR BOWL	01
24	BOLT M10X30	01
23	PLAIN WASHER	01
22	DRIVE PLATE	01
21	SHAFT KEY 8X8X54	01
20	SHAFT	01
19	OIL SEAL 50X80X8	01
18	OIL SEAL 48X70X10	01
17	ALLEN SCREW : BLOCK-COVER UPPER M6X20	04
16	BLOCK COVER-UPPER	01
15	O' RING 85X93X4φ	01
14	BOLT-BEARING BLOCK M12X60	06
13	BALL BEARING 6208 2RS	02
12	BEARING BLOCK	01
11	GASKET FOR BEARING BLOCK	01
10	NUT-BEARING BLOCK M12	06
9	BALL BEARING 6206 2RS	02
8	CIRCLIP 26mm ID	01
7	BLOCK COVER-LOWER	01
6	C'sk SCREW M4X12 BLOCK-COVER LOWER	04
5	PULLEY φ3".B TYPE	02
4	GRUB SCREW-PULLEY M10X10	04
3	LOCK WASHER KM4	01
2	SPECIAL BOLT M10X25	03
1	V-BELT BX 31	02
SR. NO.	ITEM	QTY.

SCALE N.T.S.

Material Raw Material Die No.

Description

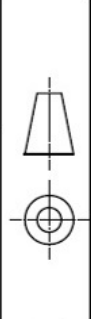
# DRIVE ASSEMBLY

**Oilybits Ltd**

Sheet 1 OF 1

Alteration Area	Permissible Deviations	Surface Finish	Scale	
			N.T.S.	Weight
			Material	
			Raw Material	
			Die No.	
			Description	

Drawn	Date	Name
Checked	13.07.11	
Approved	13.07.11	



Position	Alteration	Date	Name	Belongs to	Substitutes