



BETTY 60-65



BETTY X



BETTYNOX

PERFORMANCE RANGE

- Flow rate up to **50 l/min** (3 m³/h)
- Head up to **55 m**

APPLICATION LIMITS

- Manometric suction lift up to **9 m**
- Ambient temperature up to **+40 °C**
- Max. working pressure **6 bar**
- Continuous service **S1**

PERFORMANCE AND CONSTRUCTION CHARACTERISTICS

| MODEL | PUMP | Q | H |
|------------|----------|-------|--------|
| | | l/min | metres |
| BETTY 60 | PKSm 60 | 5÷40 | 38÷5 |
| BETTY 65 | PKSm 65 | 5÷50 | 50÷8 |
| BETTY 1X | JSWm 1CX | 5÷50 | 32÷13 |
| BETTY 2X | JSWm 1BX | 5÷50 | 36÷15 |
| BETTY 3X | JSWm 1AX | 5÷50 | 42÷19 |
| BETTYNOX 1 | JCRm 1C | 5÷50 | 32÷13 |
| BETTYNOX 2 | JCRm 1B | 5÷50 | 36÷15 |
| BETTYNOX 3 | JCRm 1A | 5÷50 | 42÷19 |

- ➔ The **BETTY** series portable pumps come complete with:
- a handle
 - **Ø 20 mm** hose attachments
 - **1.5 m** long power cable with Schuko plug

CONSTRUCTION AND SAFETY STANDARDS

EN 60335-1
IEC 60335-1
CEI 61-150



CERTIFICATIONS



INSTALLATION AND USE

Suitable for use in gardening, horticultural, cleaning and hobby activities, they are suitable for use with any liquid that is compatible with the materials from which they are made.

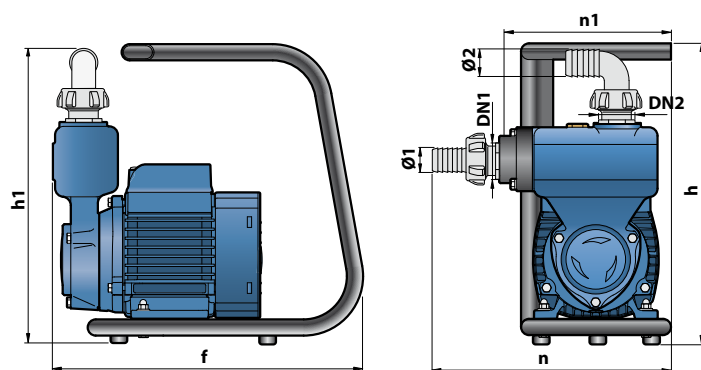
OPTIONALS AVAILABLE ON REQUEST

- Other voltages

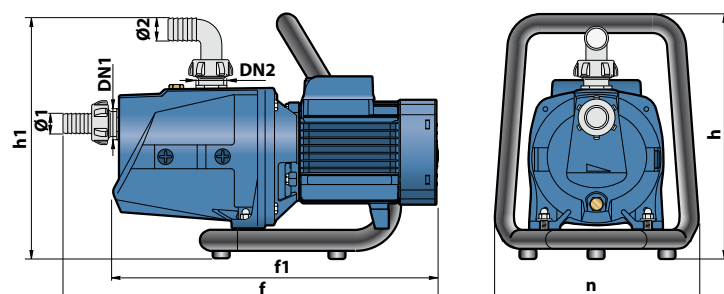
GUARANTEE

2 years subject to terms and conditions

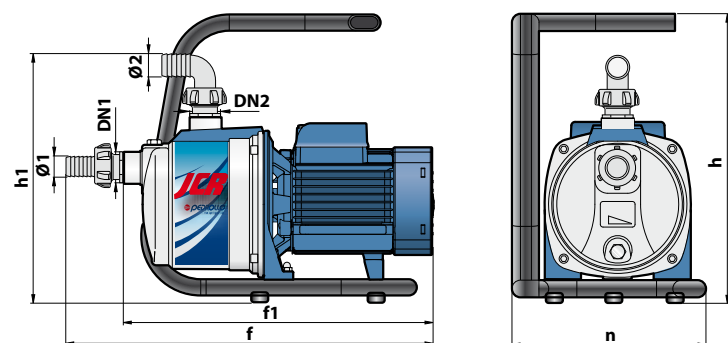
DIMENSIONS AND WEIGHT



| MODEL | PORTS | | DIMENSIONS mm | | | | | | | kg |
|--------------|-------|-----|---------------|----|-----|-----|-----|-----|-----|-----|
| | DN1 | DN2 | Ø1 | Ø2 | f | h | h1 | n | n1 | |
| Single-phase | | | | | | | | | | |
| BETTY 60 | 1" | 1" | 20 | 20 | 270 | 273 | 267 | 220 | 160 | 7.9 |
| BETTY 65 | | | | | | | | | | 9.5 |



| MODEL | PORTS | | DIMENSIONS mm | | | | | | | kg |
|--------------|-------|-----|---------------|----|-----|-----|-----|-----|-----|------|
| | DN1 | DN2 | Ø1 | Ø2 | f | f1 | h | h1 | n | |
| Single-phase | | | | | | | | | | |
| BETTY 1X | | | | | | | | | | 10.0 |
| BETTY 2X | 1" | 1" | 20 | 20 | 433 | 373 | 260 | 255 | 230 | 10.7 |
| BETTY 3X | | | | | | | | | | 10.9 |



| MODEL | PORTS | | DIMENSIONS mm | | | | | | | kg |
|--------------|-------|-----|---------------|----|-----|-----|-----|-----|-----|-----|
| | DN1 | DN2 | Ø1 | Ø2 | f | f1 | h | h1 | n | |
| Single-phase | | | | | | | | | | |
| BETTYNOX 1 | | | | | 405 | 345 | 270 | 260 | 198 | 7.9 |
| BETTYNOX 2 | 1" | 1" | 20 | 20 | | | | | | 8.0 |
| BETTYNOX 3 | | | | | 413 | 353 | | | | 9.2 |

PALLETIZATION

| MODEL | GROUPAGE | | | CONTAINER | | |
|--------------|----------|--------|-------|-----------|--------|-------|
| | n° pumps | H (mm) | kg 1~ | n° pumps | H (mm) | kg 1~ |
| Single-phase | | | | | | |
| BETTY 60 | 30 | 1265 | 254 | 50 | 2015 | 412 |
| BETTY 65 | 30 | 1265 | 302 | 50 | 2015 | 492 |
| BETTY 1X | 30 | 1265 | 317 | 50 | 2015 | 517 |
| BETTY 2X | 30 | 1265 | 338 | 50 | 2015 | 552 |
| BETTY 3X | 30 | 1265 | 344 | 50 | 2015 | 562 |
| BETTYNOX 1 | 30 | 1265 | 254 | 50 | 2015 | 412 |
| BETTYNOX 2 | 30 | 1265 | 257 | 50 | 2015 | 417 |
| BETTYNOX 3 | 30 | 1265 | 293 | 50 | 2015 | 477 |

