



### PERFORMANCE RANGE

- Flow rate up to **10 l/min** (0.6 m<sup>3</sup>/h)
- **60 Hz**: head up to **55 m**
- **50 Hz**: head up to **42 m**

### APPLICATION LIMITS

- Manometric suction lift up to **8 m**
- Liquid temperature between **-10 °C** and **+90 °C**
- Ambient temperature between **-10 °C** and **+45 °C**
- Max. working pressure **10 bar**
- Continuous service **S1**

### CONSTRUCTION AND SAFETY STANDARDS

EN 60335-1	EN 60034-1
IEC 60335-1	IEC 60034-1
CEI 61-150	CEI 2-3



### CERTIFICATIONS

COMPANY WITH MANAGEMENT SYSTEM  
CERTIFIED BY DNV  
ISO 9001: QUALITY  
ISO 14001: ENVIRONMENT AND SAFETY

### INSTALLATION AND USE

Suitable for use with clean water and liquids that are not chemically aggressive towards the materials from which the pump is made. The design of this particularly compact brass pump offers an effective guarantee against the formation of rust and oxidation; as a result they are recommended for use in industrial applications such as cooling and conditioning. The pump should be installed in an enclosed environment, or at least sheltered from inclement weather.

### PATENTS - TRADE MARKS - MODELS

- Motor bracket: patented n° IT1243605

### OPTIONALS AVAILABLE ON REQUEST

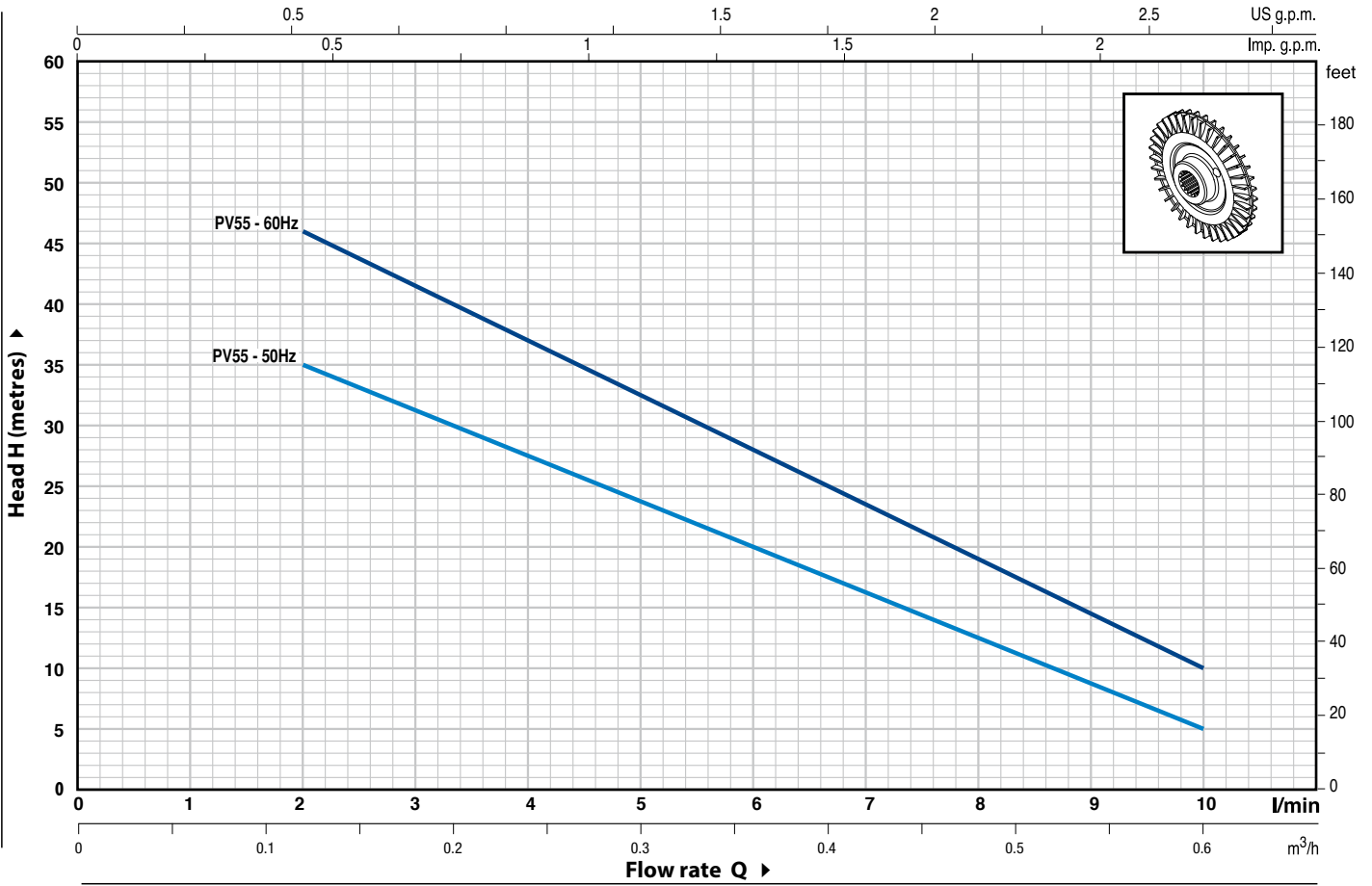
- Special mechanical seal
- EN 10088-3 - 1.4401 (AISI 316) stainless steel motor shaft
- Other voltages

### GUARANTEE

2 years subject to terms and conditions

**CHARACTERISTIC CURVES AND PERFORMANCE DATA**

**60/50 Hz n= 3450/2900 1/min HS= 0 m**



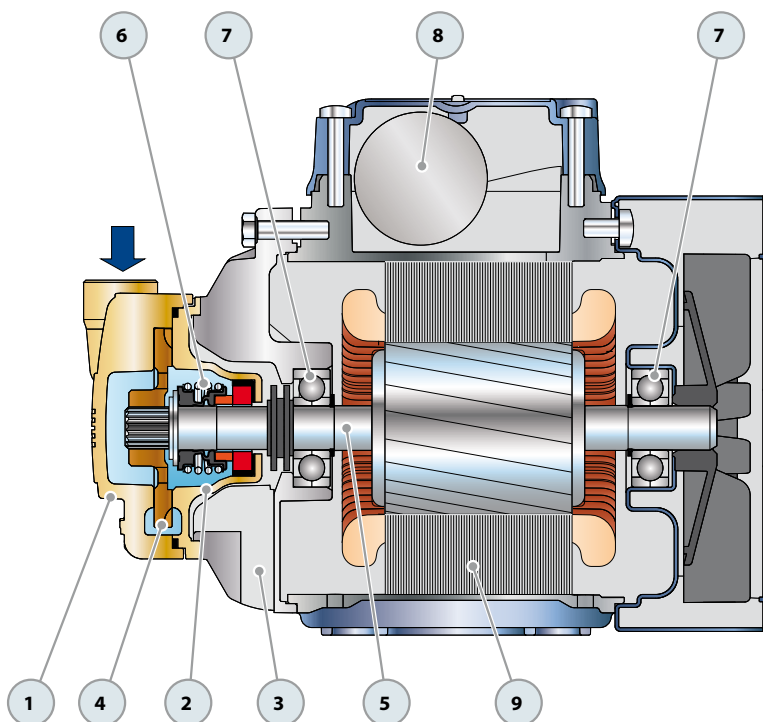
MODEL		POWER		Q	Flow rate										
Single-phase	Three-phase	kW	HP		m³/h	0	0.12	0.18	0.24	0.30	0.36	0.42	0.48	0.54	0.60
PV55	PV55	0.18	0.25	H metres	50 Hz	42	35	31	27.5	24	20.5	16	12.5	9	5
					60 Hz	55	46	41.5	37	32.5	28	23.5	19	14.5	10

Q = Flow rate H = Total manometric head HS = Suction height

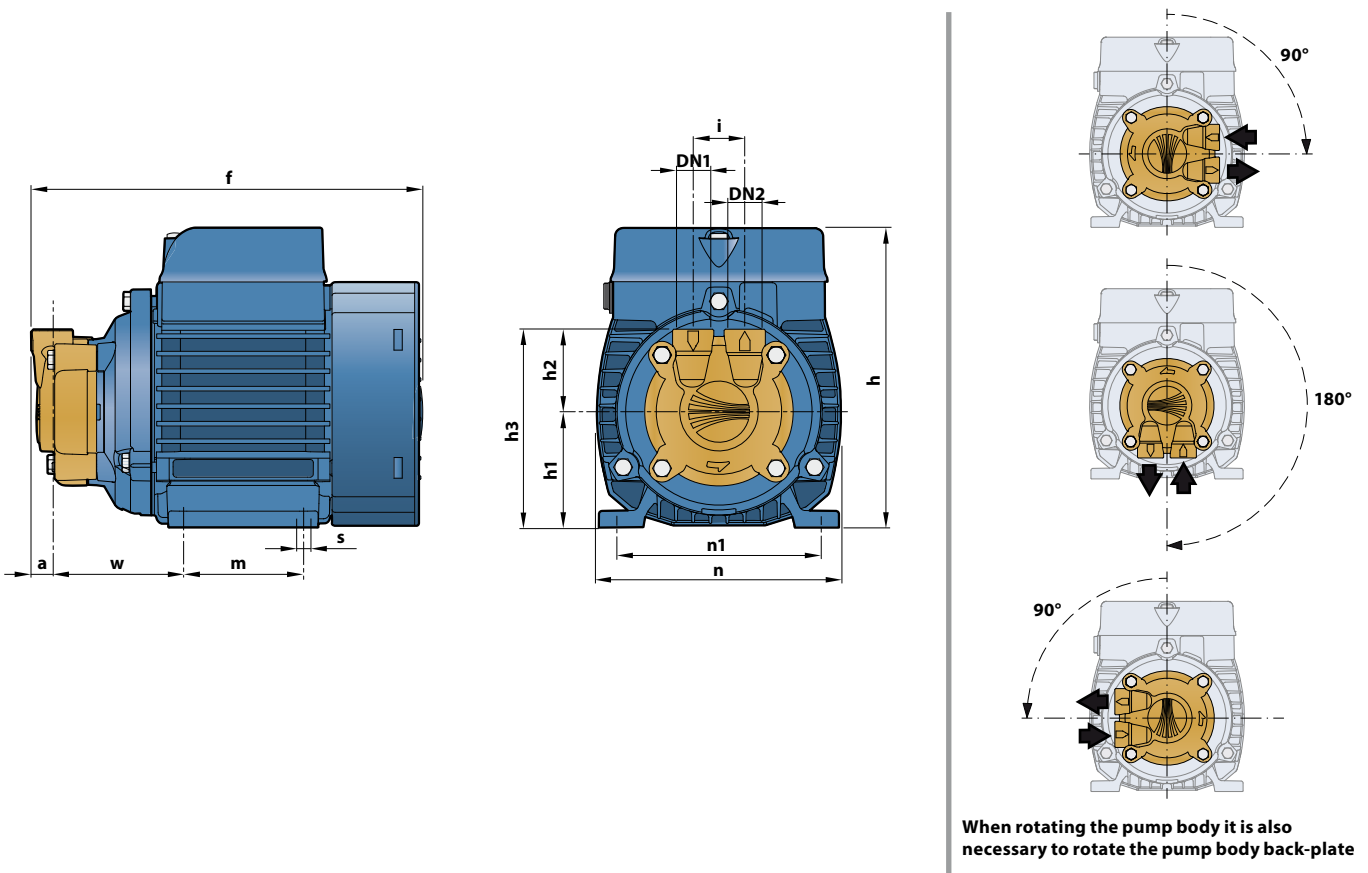
Tolerance of characteristic curves in compliance with EN ISO 9906 Grade 3.

➡ The PV 55 pump is designed to work at 50 Hz and 60 Hz (see the characteristic curves)

POS.	COMPONENT	CONSTRUCTION CHARACTERISTICS				
1	PUMP BODY	Brass, with threaded ports in compliance with ISO 228/1				
2	PUMP BODY BACK-PLATE	Brass				
3	MOTOR BRACKET	Aluminium				
4	IMPELLER	Brass, with peripheral radial vanes				
5	MOTOR SHAFT	Stainless steel EN 10088-3 - 1.4104				
6	MECHANICAL SEAL	<b>Seal</b>	<b>Shaft</b>	<b>Materials</b>		
		<i>Model</i>	<i>Diameter</i>	<i>Stationary ring</i>	<i>Rotational ring</i>	<i>Elastomer</i>
		<b>MG1-12E</b>	<b>Ø 12 mm</b>	Silicon carbide	Graphite	EPDM
7	BEARINGS	<b>6201 ZZ / 6201 ZZ</b>				
8	CAPACITOR	<b>Capacitance</b>				
		<i>230÷240 V (50÷60 Hz)</i>	<i>110 V (50÷60 Hz)</i>			
		<b>10 µF 450 VL</b>	<b>25 µF 250 VL</b>			
9	ELECTRIC MOTOR	<b>PV<sub>m</sub></b> : single-phase 230 V - 50÷60 Hz with thermal overload protector built-in to the winding. <b>PV</b> : three-phase 230/400 V - 50÷60 Hz. <b>⇒ Pump fitted with the three-phase motor option offers IE2 (IEC 60034-30) class high performance</b> – Insulation: F class. – Protection: IP X4.				



## DIMENSIONS AND WEIGHT



MODEL		PORTS		DIMENSIONS mm												kg	
Single-phase	Three-phase	DN1	DN2	a	f	h	h1	h2	h3	i	m	n	n1	w	s	1~	3~
PVm 55	PV 55	1/4"	1/4"	11	188	145	56	40	96	25	55	118	93-100	63	7	<b>4.5</b>	<b>4.5</b>

## ABSORPTION

MODEL	VOLTAGE (single-phase)		
	230 V	240 V	115 V
Single-phase	230 V	240 V	115 V
PVm 55 (60Hz)	<b>2.0 A</b>	<b>1.9 A</b>	<b>4.0 A</b>
PVm 55 (50Hz)	<b>1.6 A</b>	<b>1.5 A</b>	<b>3.2 A</b>

MODEL	VOLTAGE (three-phase)	
	230 V	400 V
Three-phase	230 V	400 V
PV 55 (50÷60Hz)	<b>1.7 A</b>	<b>1.0 A</b>

## PALLETIZATION

MODEL		GROUPAGE				CONTAINER			
Single-phase	Three-phase	n° pumps	H (mm)	kg		n° pumps	H (mm)	kg	
				1~	3~			1~	3~
PVm 55	PV 55	<b>238</b>	1240	1095	1095	<b>306</b>	1563	1401	1401

