

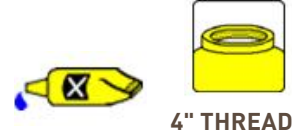


PENTAIR

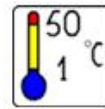
THREADED VESSELS



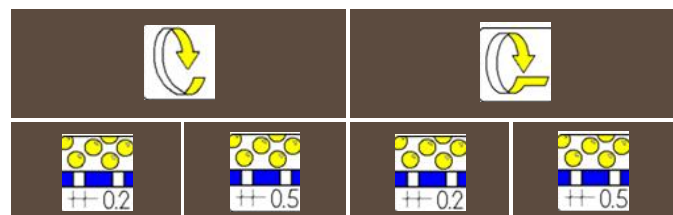
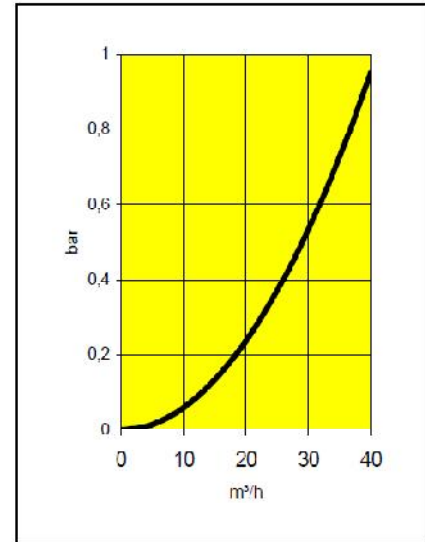
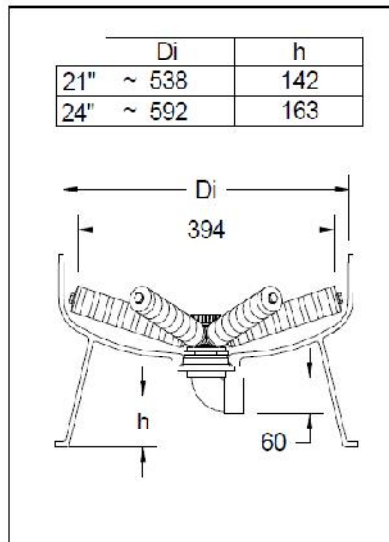
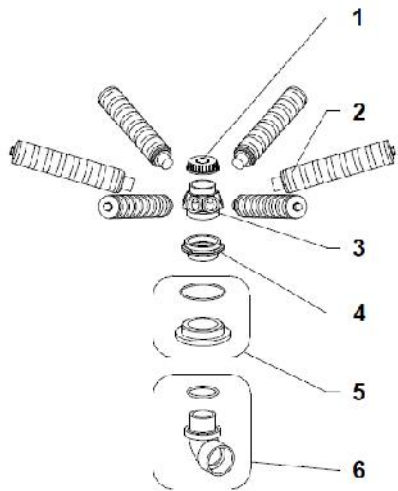
21" - 24"



4" THREAD



60MM



Item	Description	Dimensions	Quantity	Material	Part number			
					AD-H60-00	AD-H60-00	AD-H60-00	AD-H60-00
1	Hubcap	2" BSP	1	PP	AD-H60-00	AD-H60-00	AD-H60-00	AD-H60-00
2	Lateral	175 mm	6	PP	A-TH02-175	A-TH05-175	A-BT02-175	A-BT05-175
3	Hub	2.5"-2"	1	PP	ATD-H60-00	ATD-H60-00	AB-H60-00	AB-H60-00
4	Hub adaptor	2.5"-2"	1	PP	AB-A6F-20	AB-A6F-20	AB-A6F-20	AB-A6F-20
5	Adaptor	4" - 60mm	1	PVC	A-2106-48	A-2106-48	A-2106-48	A-2106-48
6	Elbow	2" - 60mm	1	PVC	A-2700-C	A-2700-C	A-2700-C	A-2700-C
					A-2821-60	A-2821-61	I-2821-60	I-2821-61

