



KIT LUBE



DISPENSERS



PUMPS



METERS



NOZZLE METERS



NOZZLES

AIR/WATER HOSE REEL

FEATURES

- STURDY METALLIC STRUCTURE
- ANTI-FREEZE VERSION
- BENDING PROTECTION

The Piusi CLOSED HOSE REEL for Air/Water comes with a sturdy metallic cabinet that ensures any possible corruption of the inner components. It is ready to be fitted on the wall or into an open cabinet.

PERFORMANCE

max

20BAR

MAX WORKING PRESSURE

12/15M

HOSE LENGTH



HOSE REEL CLOSED FOR AIR/WATER

PACKAGING

| CODE | WEIGHT | | PACKAGING | | | |
|------------------|--------|------|-------------|-------------|------------|---------|
| | KG | LBS | MM | INCH | PCS/PALLET | PCS/BOX |
| WITH HOSE | | | | | | |
| HC20121400A | 6 | 13,2 | 38OX18OX270 | 15X7,1X10,6 | | 1 |
| HC201511200A | 6 | 13,2 | 38OX18OX270 | 15X7,1X10,6 | | 1 |



WASTE OIL EQUIPMENTS



FILTRATION



FLUID MONITORING



HOSE REELS



ACCESSORIES



MERCHANDISE

INDEX



AIR



ANTIFREEZE



AdBlue®



BIODIESEL



DIESEL



FOOD



GASOLINE



GREASE



KEROSENE



OIL



WATER

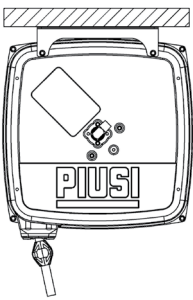


WINDSCREEN

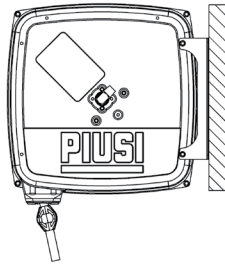
INSTALLATION

Different ways to install PIUSI's hose reels: they can be easily placed wherever you need them without any problem about functionality and safety. PIUSI's products are without a doubt designed to support your work in any condition.

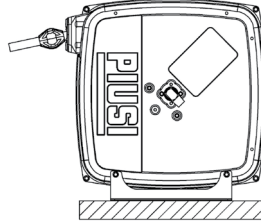
ROOF INSTALLATION



WALL INSTALLATION

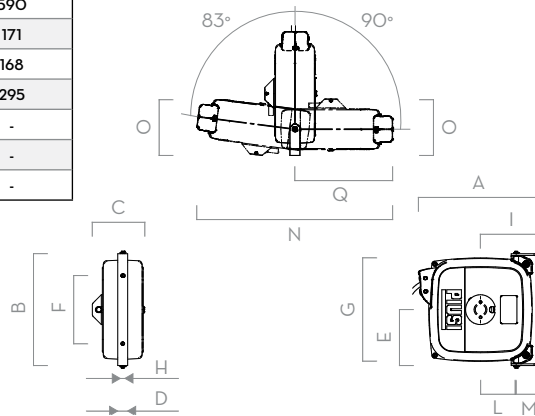


GROUND INSTALLATION



DIMENSIONS

| MODEL | CLOSE HOSE REEL | MODEL | CLOSE HOSE REEL |
|-------|-----------------|-------|-----------------|
| A | 374 | L | 108 |
| B | 337 | M | 79 |
| C | 160 | N | 590 |
| D | 30 | O | 171 |
| E | 168.5 | P | 168 |
| F | 205 | Q | 295 |
| G | 312 | - | - |
| H | 10.5 | - | - |
| I | 187 | - | - |



Measures expressed in millimeters

IN THE BOX

- REEL
- WALL MOUNT BRACKET
- INSTRUCTION MANUAL

DETAILS



REVOLVING BRACKET



CONNECTION HOSE



SWIVEL

MATERIALS

- BODY: CAST IRON
- HUB: SYNTHETED STEEL
- TUBE: RUBBER

TECHNICAL DATA

| CODE | DESCRIPTION | FLUIDS TYPE | HOSE | MAX WORKING PRESSURE | PRESSURE DROP | INLET WITH SWIVEL | OUTLET HOSETAIL | HOSE MAX LENGHT BOUND | HOSE LENGHT |
|------------------|------------------------------|-------------|-------|----------------------|---------------|-------------------|-----------------|-----------------------|-------------|
| | | | BSP | BAR | BAR | BSP | BSP | M | M |
| WITH HOSE | | | | | | | | | |
| HC20121400A | CLOSE REEL 10X14 + 12MT HOSE | | 10X14 | 20 | - | 10 MM | 3/4" MALE | - | 12 |
| HC201511200A | CLOSE REEL 8X12 + 15MT HOSE | | 8X12 | 20 | - | 8 MM | 1/4" MALE | - | 15 |

AIR/WATER HOSE REEL

CLOSED

169