



KIT LUBE



DISPENSERS



PUMPS



METERS



NOZZLE METERS



NOZZLES

# AIR/WATER HOSE REEL

## FEATURES

- STURDY METALLIC STRUCTURE
- ANTI-FREEZE VERSION
- BENDING PROTECTION

The Piusi OPEN HOSE REEL for Air/Water is the perfect solution to manage the dispensing of these kind of liquids/gases. It comes with a sturdy hand protection cover to avoid any possible injury during use.

## PERFORMANCE

max

**20BAR**

MAX WORKING PRESSURE

**15M**

HOSE LENGTH



HOSE REEL OPEN FOR AIR/WATER



## PACKAGING

CODE	WEIGHT		PACKAGING			
	KG	LBS	MM	INCH	PCS/PALLET	PCS/BOX
<b>WITH HOSE</b>						
HA20151200A	17	37,4	550X200X540	21,6X7,9X21,3		1
HA20153800A	17	37,4	550X200X540	21,6X7,9X21,3		1



WASTE OIL EQUIPMENTS



FILTRATION



FLUID MONITORING



HOSE REELS



ACCESSORIES



MERCHANDISE

INDEX



AIR



ANTIFREEZE



AdBlue®



BIODIESEL



DIESEL



FOOD



GASOLINE



GREASE



KEROSENE



OIL



WATER

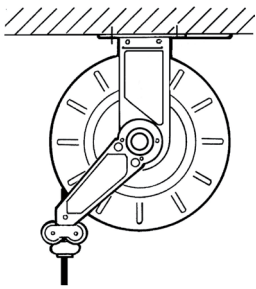


WINDSCREEN

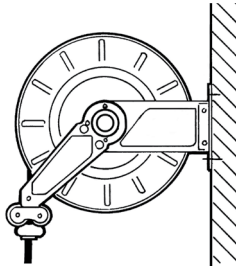
## INSTALLATION

Different ways to install PIUSI's hose reels: they can be easily placed wherever you need them without any problem about functionality and safety. PIUSI's products are without a doubt designed to support your work in any condition.

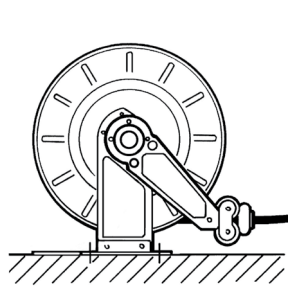
ROOF  
INSTALLATION



WALL  
INSTALLATION



GROUND  
INSTALLATION



## IN THE BOX

- REEL
- WALL MOUNT BRACKET
- INSTRUCTION MANUAL
- HAND PROTECTION

## DETAILS



4 ROLLS HOSE GUIDE



STURDY DESIGN



DIFFERENT INSTALLATIONS

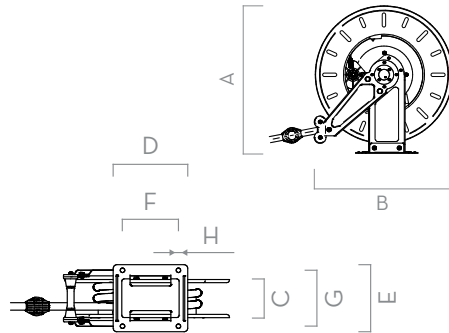


HAND PROTECTION

## DIMENSIONS

MODEL OPEN HOSE REEL SMALL

MODEL	OPEN HOSE REEL SMALL
A	475
B	460
C	102
D	150
E	196
F	150
G	150
H	12



Measures expressed in millimeters

## MATERIALS

- BODY: CAST IRON
- HUB: SYNTHETED STEEL
- TUBE: RUBBER

## TECHNICAL DATA

CODE	DESCRIPTION	FLUIDS TYPE	HOSE (*)	MAX WORKING PRESSURE	PRESSURE DROP	INLET WITH SWIVEL	OUTLET HOSETAIL	HOSE MAX LENGHT BOUND	HOSE LENGHT	
			BSP							BAR
<b>WITH HOSE</b>										
HA20151200A	OPEN HOSE REEL 1/2" + 15MT HOSE SMALL		1/2"	-	-	1/2" MALE	1/2" MALE	-	15	
HA20153800A	OPEN HOSE REEL 3/8" + 15MT HOSE SMALL		3/8"	-	-	3/8" FEMALE	3/8" FEMALE	-	15	

# AIR/WATER HOSE REEL

OPEN

163