



CAR FILLING



DISPENSERS



PUMPS



METERS



NOZZLE METERS



NOZZLES

DELPHIN PRO IBC

FEATURES

- FULLY AUTOMATIC
- 100% COMPATIBLE WITH ALL VEHICLES
- STURDY DESIGN
- EASY TO INSTALL
- FLOW RATE REGULATOR
- SPECIFICALLY DESIGN FOR IBC TANKS

The NEW PIUSI Delphin Pro IBC responds perfectly to the needs of a fixed installation for AdBlue® car refilling. It is designed to be hung both on IBC tanks and wall.

PERFORMANCE

UP TO
11 L/MIN

FLOW RATE

AC V. / Hz
230/50

VOLTAGE
POWER

3M

HOSE LENGTH

AVAILABLE WITH
ON/OFF
BUTTON

SWITCH



DELPHIN PRO IBC



IMBALLAGGIO

CODE	WEIGHT		PACKAGING		
	KG	LBS	MM	INCH	PCS/BOX
FO0100B0A	24	52,9	500X340X590	19,7X13,4X23,2	1
FO0100B2A	24	52,9	500X340X590	19,7X13,4X23,2	1



FILTRATION



FLUID MONITORING



HOSE REELS



ACCESSORIES



MERCHANDISE



AIR



ANTIFREEZE



AdBlue®



BIODIESEL



DIESEL



FOOD



GASOLINE



GREASE



KEROSENE



OIL



WATER



WINDSCREEN

CHARTS



IN THE BOX

- DELPHIN PRO IBC UNIT
- AF2 AND SEC CONNECTOR
- INSTRUCTION MANUAL

DETAILS



UNIVERSAL ISO CONNECTOR



AF2 CONNECTOR

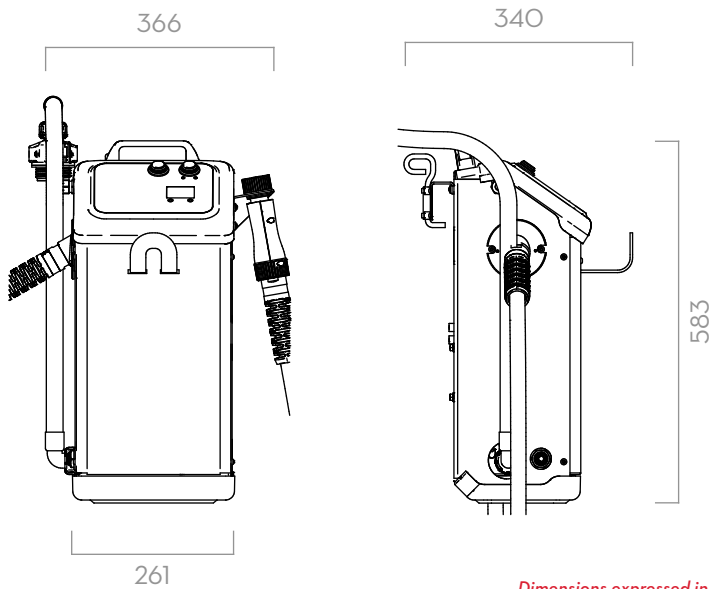


DIGITAL FLOW METER



SEC VERSION AVAILABLE

DIMENSIONS



Dimensions expressed in millimeters

MATERIALS

- PUMP:
- BODY: POLIPROPYLENE
- DIAPHRAGM: POLIPROPYLENE

DATI TECNICI

CODE	DESCRIPTION	FLUIDS TYPE	FLOW-RATE		VOLTAGE			HOSE		ON/OFF
			L/MIN	GPM	AC V./HZ	POWER WATT	AMP. MAX.	LENGHT	Ø	SWITCH
FO0100BOA	DELPHIN PRO IBC		2 - 11	0,5 - 2,9	230/50	400	1,95	3	19	SI
FO0100B2A	DELPHIN PRO IBC		2 - 11	0,5 - 2,9	230/50	400	1,95	6	19	SI

DELPHIN PRO IBC