



KIT LUBE



DISPENSERS



PUMPS



METERS



NOZZLE METERS



NOZZLES

# DEPUROIL

## FEATURES

- IDEAL FOR DIALYSIS OF OIL
- COMPACTNESS
- SILENT
- CLOGGING INDICATOR
- 5 METERS OF CABLE
- SPIRAL TUBES

The Piusi DEPUROIL is an immediate mobile filtering unit, the easiest solution to a single step filtration suitable for any kind of tank. It includes the Piusi Viscomat Vane pump, suitable for low/medium viscosity lubricants.

## PERFORMANCE

up to

**50L**

(up to 13 gal)

TANK CAPACITY

**230V**

AC VOLTAGE

POWER



DEPUROIL

## PACKAGING

CODE	WEIGHT		PACKAGING			
	KG	LBS	MM	INCH	PCS/PALLET	PCS/BOX
00050300A	28	61,7	600X290X300	23,6X11,4X11,8		1
FO050302C	28	61,7	600X290X300	23,6X11,4X11,8		1



WASTE OIL EQUIPMENTS



FILTRATION



FLUID MONITORING



HOSE REELS



ACCESSORIES



MERCHANDISE

INDEX



AIR



ANTIFREEZE



AdBlue®



BIODIESEL



DIESEL



FOOD



GASOLINE



GREASE



KEROSENE



OIL

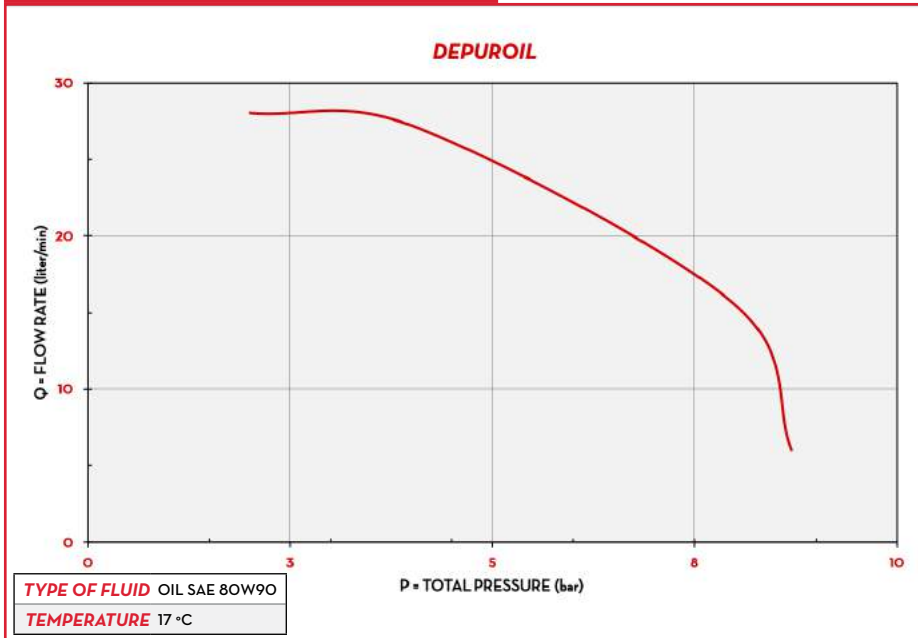


WATER



WINDSCREEN

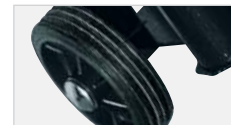
## CHARTS



## IN THE BOX

- DEPUROIL
- FILTER CARTRIDGE
- SUCTION HOSE
- DELIVERY HOSE
- INSTRUCTION MANUAL

## DETAILS

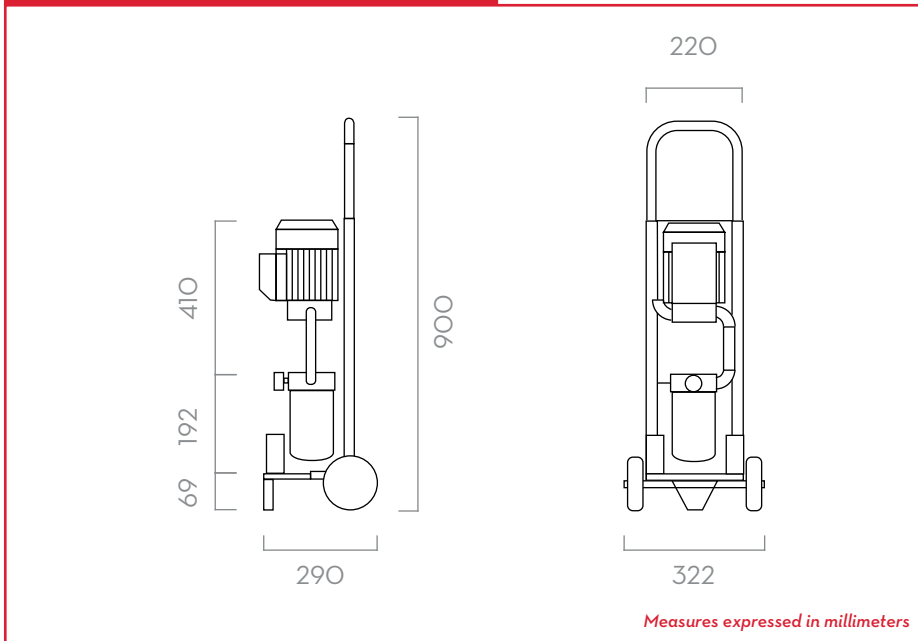


LARGE DIAMETER WHEELS



STURDY STRUCTURE

## DIMENSIONS



## MATERIALS

- BODY: CAST IRON
- ROTOR: SINTERED STEEL
- VAINS: TECHNOPYLIMER
- SHAFT: STEEL
- FILTER: ABSORBENT FILTERING PAPER

## TECHNICAL DATA

CODE	DESCRIPTION	FLUIDS TYPE	FLOW RATE		VOLTAGE			PUMP	HOSE LENGHT		FILTERING CAPACITY
			L/MIN	GPM	AC V/HZ DC VOLT	POWER WATT	AMP. MAX.		TYPE	DELIVERY /FT	
00050300A	DEPUROIL M 230/50		20-25	5,28-6,6	230/50	1350	6,2	VISCOMAT 70	2 / 6,5	2 / 6,5	10
FO050302C	DEPUROIL 110/50-120/660		25	6,6	110/50-120/60	820/850	10-9	VISCOMAT 70	2 / 6,5	2 / 6,5	10
FO0503100	DEPUROIL 60		50	13	230/50	1350	6,2	VISCOMAT 90	2	2	10

# DEPUROIL