



KIT LUBE



DISPENSERS



PUMPS



METERS



NOZZLE METERS



NOZZLES

EASY NEXT/2

FEATURES

- HIGH RATIO PRESSURE
- LOW PRESSURE DROP
- STURDY AND DURABLE
- BUILT-IN LEVER LOCK
- READY TO USE
- EASY TO CALIBRATE
- ELECTRONIC RESET FUNCTION
- LOW BATTERY CONSUMPTION
- IP65 PROTECTION
- RUBBER PROTECTION
- ADJUSTABLE UMA CAMSHAFT
- SWIVEL

PERFORMANCE

up to

60 L/MIN

(up to 15 gpm)

FLOW RATE

± 0,5%

ACCURACY

0,2 %

REPEATABILITY

70BAR

PRESSURE



The Piusi Easy NEXT/2 is the answer to all the needs of a high flow rate oil dispense and measure. It is composed by the Pistol-one nozzle and the oval gear meter NEXT/2.



EASY NEXT/2 WITH FLEXIBLE SPOUT



with rigid spout

without spout

PACKAGING

CODE	WEIGHT		PACKAGING			N. BOXES/ EUROPALLET	
	KG	LBS	MM	PCS/PALLET	PCS/BOX		
FOO974000	2,3	5,1	115X135X160		1	100	120
FOO974010	2,9	6,4	115X135X160		1	100	120
FOO974020	3	6,6	115X135X160		1	100	120



WASTE OIL EQUIPMENTS



FILTRATION



FLUID MONITORING



HOSE REELS



ACCESSORIES



MERCHANDISE

INDEX



AIR



ANTIFREEZE



AdBlue®



BIODIESEL



DIESEL



FOOD



GASOLINE



GREASE



KEROSENE



OIL



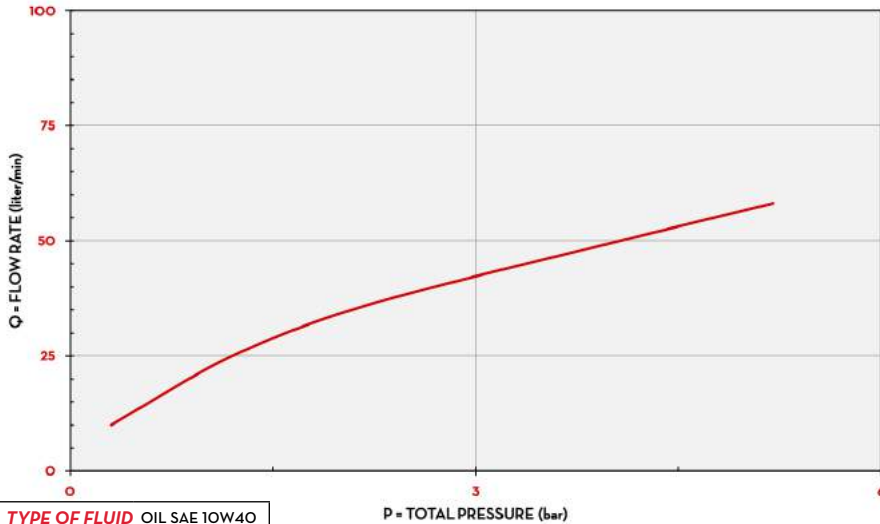
WATER



WINDSCREEN

CHARTS

EASY NEXT/2



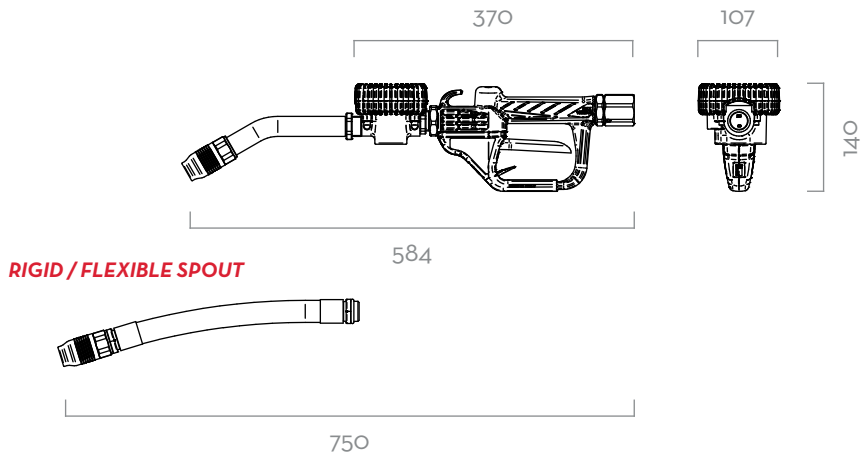
TYPE OF FLUID OIL SAE 10W40

TEMPERATURE 23 °C

P = TOTAL PRESSURE (bar)

DIMENSIONS

EASY NEXT/2 NOZZLE METER SIDE



RIGID / FLEXIBLE SPOUT

Measures expressed in millimeters

IN THE BOX

- PISTOL-ONE NOZZLE
- NEXT/2 METER
- INSTRUCTION MANUAL

DETAILS



RESET/CALIBRATE BUTTON



SELECTED MATERIAL



MULTIFUNCTIONAL DISPLAY



METER WITH OVAL GEARS

MATERIALS

- NOZZLE BODY: ALLUMINIUM
- VALVE: NBR, NICKEL PLATED STEEL, BRASS
- METER BODY: ALLUMINIUM
- GEARS: TECHNOPOLYMER

TECHNICAL DATA

CODE	DESCRIPTION	FLUIDS TYPE	SPOUT TYPE	SEMI AUTOMATIC NO DRIP VALVE	FLOW-RATE		WORKING PRESSURE		BATTERY INCLUDED AAA NO. 2 2 X 1,5 V	INLET	OUTLET
					L/MIN	GPM	BAR	PSI			
FO0974000	NEXT/2 NOZZLE W/O SPOUT BSP	○	-	-	6 - 60	1,5 - 15	70	994	2	3/4" BSP	-
FO0974010	NEXT/2 NOZZLE W/RIGID SPOUT BSP	○	RIGID	YES	6 - 60	1,5 - 15	70	994	2	3/4" BSP	RIGID EXT.
FO0974020	NEXT/2 NOZZLE W/FLEX SPOUT BSP	○	FLEXIBLE	YES	6 - 60	1,5 - 15	70	994	2	3/4" BSP	FLEX EXT.

EASY NEXT/2