



KIT LUBE



DISPENSERS



PUMPS



METERS



NOZZLE METERS



NOZZLES

GREASE LEVER GUN

FEATURES

- **READY / EASY TO USE**
- **MOBILE**
- **HEAVY DUTY**
- **SUITABLE FOR ANY OPERATING CONDITION**

The Piusi Grease Lever Gun is a manual greasing equipment suitable for dispensing grease in limited quantities.

PERFORMANCE

up to

1000 CC

CAPACITY

suitable for

GREASE

FLUIDS



LEVER GREASE GUN



PACKAGING

CODE	WEIGHT		PACKAGING			
	KG	LBS	MM	INCH	PCS/PALLET	PCS/BOX
GREASE LEVER GUN						
FOO35200A	1,1		365X140X65			1
FOO35201A	1,7		480X140X65			1
FOO35202A	1,9		540X140X65			1



WASTE OIL EQUIPMENTS



FILTRATION



FLUID MONITORING



HOSE REELS



ACCESSORIES



MERCHANDISE

INDEX



AIR



ANTIFREEZE



AdBlue®



BIODIESEL



DIESEL



FOOD



GASOLINE



GREASE



KEROSENE



OIL

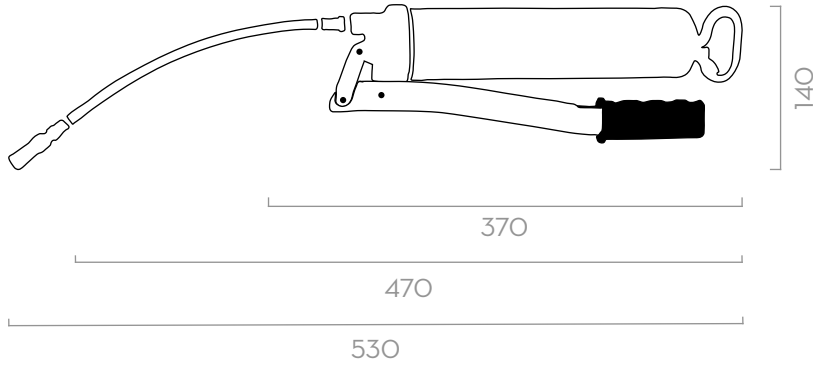


WATER



WINDSCREEN

DIMENSIONS



Measures expressed in millimeters

IN THE BOX

- GREASE LEVER GUN
- DELIVERY SPOUT

DETAILS



MATERIALS

- BODY: STEEL
- LEVER: GALVANIZED STEEL

TECHNICAL DATA

CODE	DESCRIPTION	FLUIDS TYPE	CAPACITY
			CC/OZ
GREASE LEVER GUN			
FO035200A	LEVER GREASE GUN 500		500 / 16
FO035201A	LEVER GREASE GUN 800		800 / 28
FO035202A	LEVER GREASE GUN 1000		1000 / 35

GREASE LEVER GUN