



CAR FILLING



DISPENSERS



PUMPS



METERS



NOZZLE METERS



NOZZLES

# PIUSI HAND PUMP IBC

## FEATURES

- IBC ERGONOMIC BRACKET
- HEAVY DUTY LEVER
- HIGH EFFICIENCY
- SELECTED MATERIALS

The Piusi HAND PUMP SIDE is a rotary vane pump suitable for transferring AdBlue®. It maintains all the main features of the Piusi Hand Pump while its ergonomic bracket guarantees a perfect IBC handling.

## PERFORMANCE

UP TO

**38 L**

PER 100 REV

A



PIUSI HAND PUMP IBC



## PACKAGING

CODE	WEIGHT		PACKAGING		
	KG	LBS	MM	INCH	PCS/BOX
<b>WITHOUT FILTER</b>					
FO0332BOA	2,1	4,6	350X170X5,5	13,8X6,7X5,5	1
<b>WITH FILTER</b>					
FO0332B1A	3,2	7	300X300X180	18,8X11,8X7,1	1



FILTRATION



FLUID MONITORING



HOSE REELS



ACCESSORIES



MERCHANDISE



AIR



ANTIFREEZE



AdBlue®



BIODIESEL



DIESEL



FOOD



GASOLINE



GREASE



KEROSENE



OIL



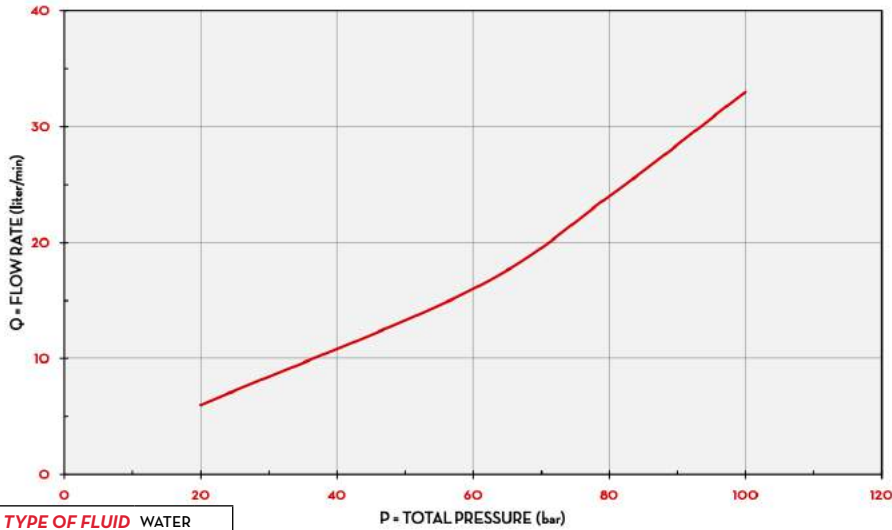
WATER



WINDSCREEN

**CHARTS**

**PIUSI HAND PUMP IBC**



TYPE OF FLUID WATER  
TEMPERATURE 20 °C

**IN THE BOX**

- PIUSI HAND PUMP
- IBC MOUNT BRACKET
- DELIVERY HOSE
- 3D FILTER (ON REQUEST)
- INSTRUCTION MANUAL

**DETAILS**



STAINLESS STEEL SPOUT

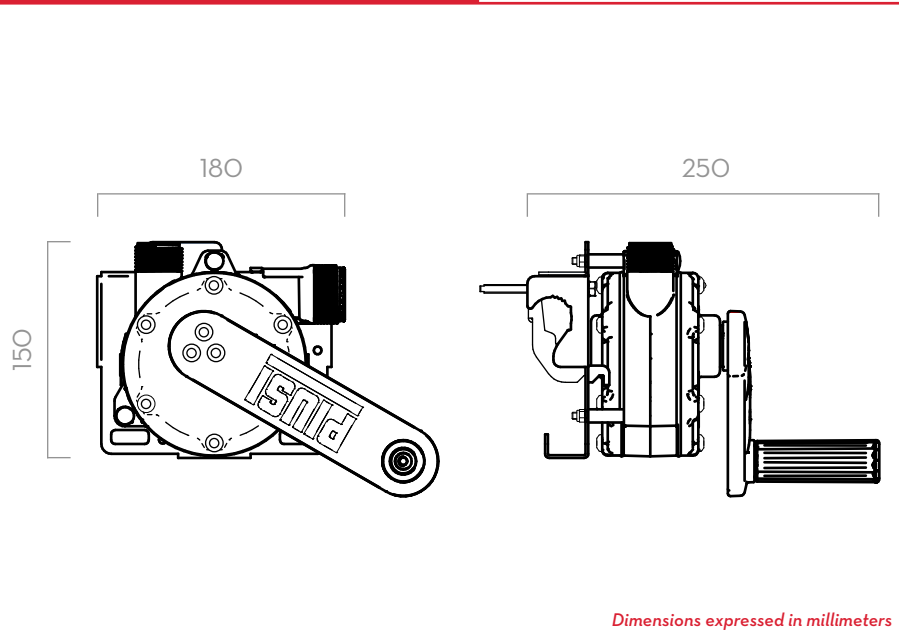


STURDY LEVER



IBC BRACKET

**DIMENSIONS**



Dimensions expressed in millimeters

**MATERIALS**

- BODY: STAINLESS STEEL, TECHNOPOLYMER
- ROTOR: TECHNOPOLYMER
- VANES: TECHNOPOLYMER

**TECHNICAL DATA**

CODE	DESCRIPTION	FLUIDS TYPE	CAPACITY PER 100 REVOLUTIONS		IBC BRACKET	SUCTION HOSE	DELIVERY HOSE LENGHT	3D FILTER
			L	USG				
<b>WITHOUT FILTER</b>								
FO0332BOA	PIUSI HAND PUMP SIDE VERSION		38	10	YES	1	2,5	NO
<b>WITH FILTER</b>								
FO0332B1A	PIUSI HAND PUMP SIDE VERSION + 3D FILTER		38	10	YES	1	2,5	YES

IBC NOT INCLUDED

**PIUSI HAND PUMP IBC**