



FUEL MANAGEMENT SYSTEMS



DISPENSERS



KITS



PUMPS



METERS



NOZZLES

K150 ATEX



FEATURES

- HEAVY DUTY CONDITIONS
- HIGH FLOW RATE
- BURSTING PRESSURE 28 BAR
- EASY READING
- 4 FLOW DIRECTIONS

K150 ATEX is expressly engineered to meet the market requirements of a meter suitable for flow rates superior than 120 l/min and that can be used both for fluids such as diesel and biodiesel, as well as in potentially explosives atmosphere; with gasoline for example. K150 is easy to calibrate and ready to use; its aluminium cover and sturdy body make this meter suitable for a wide arrange of application while guaranteeing the same precision and quality that have always featured PIUSI equipment. The mechanical display allows to read quickly the quantity dispensed. It can be installed everywhere thanks to the (optional) 1,5" flange kit. K150 is certified CE, ATEX/UL and tested in PIUSI laboratories for over 4 milion litres to guarantee the maximum reliability.

PERFORMANCE

| | |
|--|---|
| UP TO 25-150 L/MIN FLOW RATE | 3,5 BAR MAX OPERATING PRESSURE |
| ± 1% ACCURACY | 0,3% REPEATABILITY |



K150

OUR PRODUCTS COMPLIES WITH THE FOLLOWING MARKING ATEX

| | | | | | |
|--------------------|----------------------|--|-------------------------------|-------------------------|--------------------------------|
| II GROUP | 2 CATEGORY | G TYPE OF EXPLOSIVE ATMOSPHERE | c PROTECTION METHOD | IIB GAS GLASS | T6 TEMPERATURE CLASS |
|--------------------|----------------------|--|-------------------------------|-------------------------|--------------------------------|

PACKAGING

| CODE | WEIGHT | | PACKAGING | | | BOXES/EUOPALLET | |
|----------|--------|------|-------------|----------------|---------|-----------------|-----|
| | KG | LBS | MM | INCH | PCS/BOX | | |
| FO055A00 | 2,38 | 5,25 | 185X185X170 | 7,28X7,28X6,69 | 1 | 192 | 240 |
| FO055B00 | 2,38 | 5,25 | 185X185X170 | 7,28X7,28X6,69 | 1 | 192 | 240 |
| FO055C00 | 2,38 | 5,25 | 185X185X170 | 7,28X7,28X6,69 | 1 | 192 | 240 |
| FO055D00 | 2,38 | 5,25 | 185X185X170 | 7,28X7,28X6,69 | 1 | 192 | 240 |



FILTRATION



TANK MONITORING



HOSE REEL



ACCESSORIES



MERCHANDISE



AIR



ANTIFREEZE



AdBlue®



BIODIESEL



DIESEL



FOOD



GASOLINE



GREASE



KEROSENE



OIL

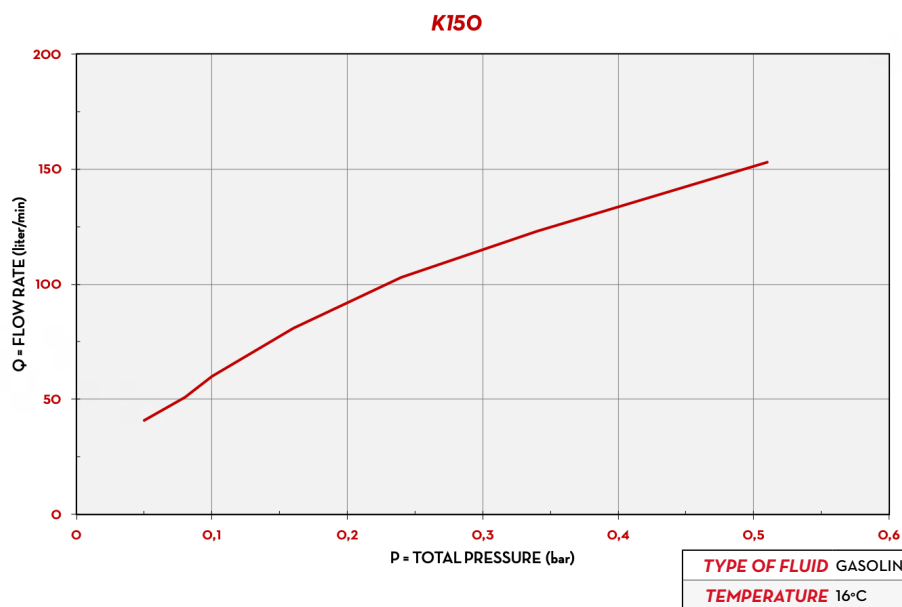


WATER

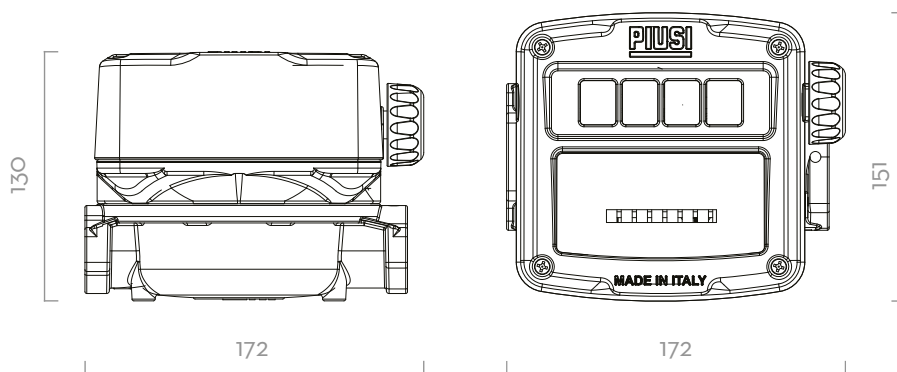


WINDSCREEN

CHART



DIMENSIONS

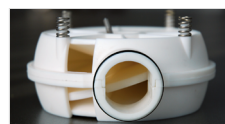


Dimensions expressed in millimeters

IN THE BOX

- K150 ATEX METER
- INSTRUCTION MANUAL

DETAILS



NUTATING DISK



4 FLOW DIRECTIONS



ATEX APPROVED



METALLIC COVER

MATERIALS

- BODY AND COVER: ALUMINIUM
- NUTATING DISK CHAMBER: TECHNOPYLIMER

TECHNICAL DATA

| CODE | DESCRIPTION | FLUIDS TYPE | FLOW RATE | | FLOW DIRECTIONS | PRESSURE | | INLET/OUTLET |
|----------|----------------------------|-------------|-----------|--------|-----------------|----------|-----|--------------|
| | | | L/MIN | GPM | | BAR | PSI | |
| FO055A00 | (EX) K150 METER VER.A ATEX | D G K | 25-150 | 6,6-40 | ◀ | 3,5 | 50 | 1" BSP |
| FO055B00 | (EX) K150 METER VER.B ATEX | D G K | 25-150 | 6,6-40 | ▲ | 3,5 | 50 | 1" BSP |
| FO055C00 | (EX) K150 METER VER.C ATEX | D G K | 25-150 | 6,6-40 | ▼ | 3,5 | 50 | 1" BSP |
| FO055D00 | (EX) K150 METER VER.D ATEX | D G K | 25-150 | 6,6-40 | ▶ | 3,5 | 50 | 1" BSP |

THE PIUSI K150 IS A MECHANICAL METER EXPRESSLY ENGINEERED FOR HEAVY DUTY AND HIGH FLOW RATE APPLICATIONS. IT IS EASY TO CALIBRATE AND READY-TO-USE; ITS ALUMINIUM COVER AND STURDY BODY MAKE THIS METER SUITABLE FOR A WIDE ARRANGE OF APPLICATIONS WHILE GUARANTEEING THE SAME PRECISION AND QUALITY THAT HAVE ALWAYS BEEN A FEATURE OF PIUSI EQUIPMENT.

K150 ATEX