



DISPENSERS



PUMPS



METERS



NOZZLE



FILTRATION

FLUID
MONITORING

K33 / K44

FEATURES

- **READY TO USE**
- **BURSTING PRESSURE 30 BAR**
- **NO BATTERY NEEDED**
- **EASY TO INSTALL AND CALIBRATE**
- **4 FLOW DIRECTION**

The PIUSI K33 and K44 are the bestseller mechanical meters in this market. Reliable, easy to install and to calibrate, they are equipped with a nutating disk that allows them to be installed in all four flow directions. The display is available in both three or four digits, according to the model chosen.

PERFORMANCE

20-120

L/MIN

FLOW-RATE

10 BAR

MAX OPERATING

PRESSURE

± 1%

ACCURACY



K33

K44

PACKAGING

CODE	WEIGHT		PACKAGING			N. BOXES / EUROPALET	
	KG	LBS	MM	INCH	PCS/BOX	✈	🚚
METERS							
000550000	0,6	1,3	180X180X170	-	1	192	240
000551000	0,6	1,3	180X180X170	-	1	192	240
000552000	0,6	1,3	180X180X170	-	1	192	240
000553000	0,6	1,3	180X180X170	-	1	192	240
000560000	0,6	1,3	180X180X170	-	1	192	240
000561000	0,6	1,3	180X180X170	-	1	192	240
000562000	0,6	1,3	180X180X170	-	1	192	240
000563000	0,6	1,3	180X180X170	-	1	192	240
PULSER							
00056500A	0,6	1,3	180X180X170	-	1	192	240



HOSE REELS



ACCESSORIES



MERCHANDISE



AIR



ANTIFREEZE

AdBlue[®]

BIODIESEL



DIESEL



FOOD



GASOLINE



GREASE



KEROSENE



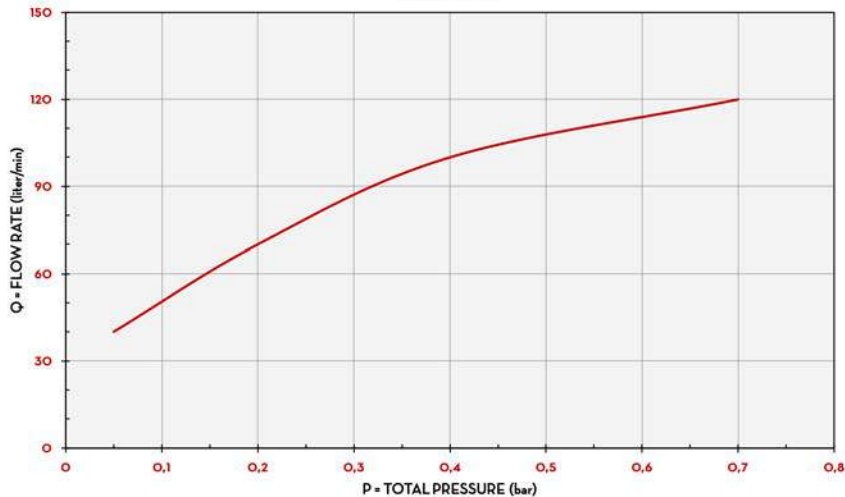
OIL



WATER



WINDSCREEN

CHART**K33 - K44**

TYPE OF FLUID DIESEL

TEMPERATURE 16 °C

IN THE BOX

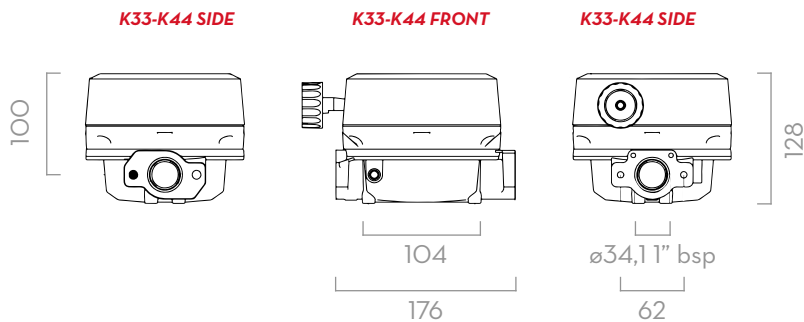
- K33 - K44 METER
- INSTRUCTION MANUAL

DETAILS

NUTATING DISK SYSTEM



4 FLOW DIRECTIONS

DIMENSIONS

Dimensions expressed in millimeters

MATERIALS

- BODY: ALUMINIUM
- NUTATING DISK CHAMBER: TECHNOPYLIMER

TECHNICAL DATA

CODE	DESCRIPTION	FLUIDS TYPE	FLOW DIRECTION	FLOW-RATE		PRESSURE		PULSER P/L (P/GAL)	INLET / OUTLET
				L/MIN	GPM	BAR	PSI		
METERS									
000550000	K33 VER. A	D	←	20 - 120	5 - 32	10	142	-	1" BSP
000551000	K33 VER. B	D	↑	20 - 120	5 - 32	10	142	-	1" BSP
000552000	K33 VER. C	D	↓	20 - 120	5 - 32	10	142	-	1" BSP
000553000	K33 VER. D	D	→	20 - 120	5 - 32	10	142	-	1" BSP
000560000	K44 VER. A	D	←	20 - 120	5 - 32	10	142	-	1" BSP
000561000	K44 VER. B	D	↑	20 - 120	5 - 32	10	142	-	1" BSP
000562000	K44 VER. C	D	↓	20 - 120	5 - 32	10	142	-	1" BSP
000563000	K44 VER. D	D	→	20 - 120	5 - 32	10	142	-	1" BSP
PULSER									
00056500A	K44 PULSER	D	→	20 - 120	5 - 32	10	142	10 (38)	1" BSP

K33 / K44