



KIT LUBE



DISPENSERS



PUMPS



METERS



NOZZLE METERS



NOZZLES

# K400

## FEATURES

- **READY TO USE**
- **EASY TO CALIBRATE**
- **DOUBLE TOTALIZER**
- **ELECTRONIC RESET FUNCTION**
- **HIGH ACCURACY**
- **LOW BATTERY CONSUMPTION**
- **RUBBER PROTECTION**
- **ADJUSTABLE UNIT OF MEASUREMENT**

The Piusi K400 is an electric oval gear meter suitable for monitoring the delivery of oils with a wide range of viscosity. The meter is equipped with a digital display and it is also available in pulser version.

## PERFORMANCE

up to

**30 L/MIN**

(up to 7,8 gpm)

FLOW RATE

**± 0,5 %**

ACCURACY

**2-2000 CST**

VISCOSITY

max

**70BAR**

PRESSURE



K400



K400 PULSER



## PACKAGING

CODE	WEIGHT		PACKAGING			
	KG	LBS	MM	INCH	PCS/PALLET	PCS/BOX
FOO484000	0,5	1,1	298X198X113	11,7X7,8X4,4		12
FOO440200	0,5	1,1	300X160X110	11,8X6,3X4,3		8



WASTE OIL EQUIPMENTS



FILTRATION



FLUID MONITORING



HOSE REELS



ACCESSORIES



MERCHANDISE

INDEX



AIR



ANTIFREEZE



AdBlue®



BIODIESEL



DIESEL



FOOD



GASOLINE



GREASE



KEROSENE



OIL

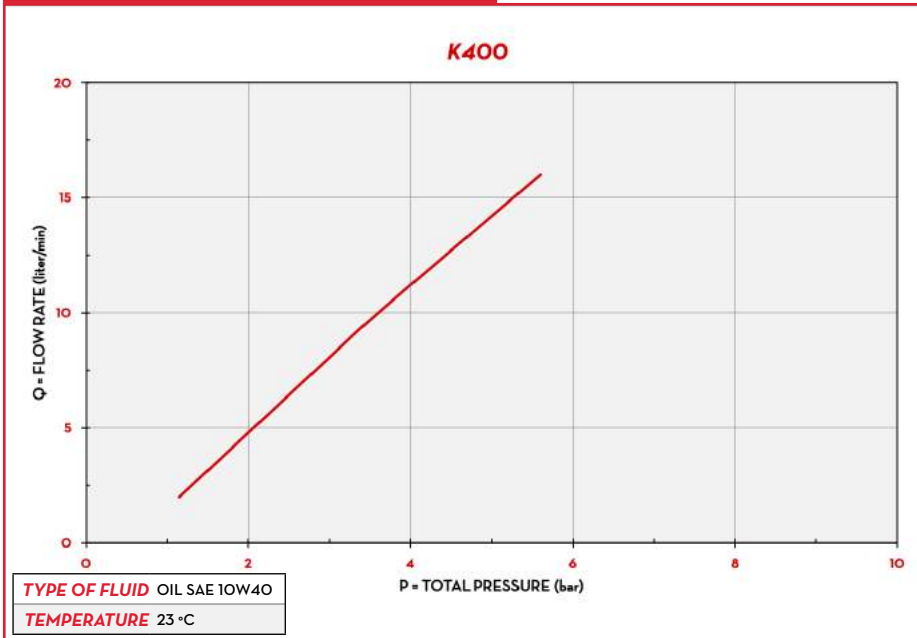


WATER



WINDSCREEN

## CHARTS



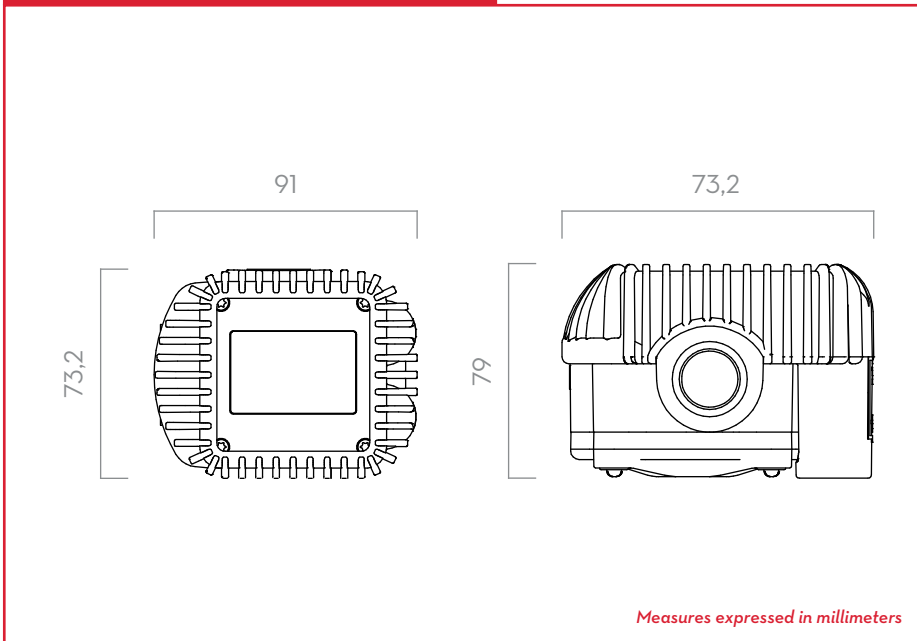
## IN THE BOX

- K400 METER
- INSTRUCTION MANUAL

## DETAILS



## DIMENSIONS



## MATERIALS

- BODY: ALLUMINIUM
- GEARS: TECHNOPOLYMER

## TECHNICAL DATA

CODE	DESCRIPTION	FLUIDS TYPE	FLOW-RATE		WORKING PRESSURE		BATTERIES INCLUDED AAA NO.2 2 X 1.5 V	INLET	OUTLET
			L/MIN	GPM	BAR	PSI			
FOO484000	K400 BSP		1-30	0,26 - 7,8	70	994	YES	1/2" BSP	1/2" BSP
FOO440200	K400 PULSER		1-30	0,26 - 7,8	70	994	NO	1/2" BSP	1/2" BSP

UPON REQUEST AVAILABLE IN NPTF VERSION AND DISPLAY IN GALLON/QUARTER OR PINT

# K400