



KIT LUBE



DISPENSERS



PUMPS



METERS



NOZZLE METERS



NOZZLES

K600 B/3

FEATURES

- EASY-TO-READ BIG DISPLAY
- SWIVEL DISPLAY
- STANDARD BATTERY
- PULSE-OUT VERSION AVAILABLE
- ADJUSTABLE FLANGES
- AA STANDARD BATTERY

The Piusi K600 B/3 is an oval gear meter suitable for monitoring the delivery of low, medium and high viscosity oils. This special version includes a large built-in digital display.

PERFORMANCE

up to
100 L/MIN
(up to 26,4 gpm)
FLOW RATE

± 0,5 %
ACCURACY

0,2%
REPEATABILITY

less than
0,5 BAR
LOSS OF PRESSURE



K600 B/3

K600 B/3 PULSE-OUT

PACKAGING

CODE	WEIGHT		PACKAGING			
	KG	LBS	MM	INCH	PCS/PALLET	PCS/BOX
METERS						
FO0491000	2	4,4	200X120X140	7,9X4,7X5,5		1
FO0491010	2	4,4	200X120X140	7,9X4,7X5,5		1
PULSE OUT METER						
FO0492000	2	4,4	200X120X140	7,9X4,7X5,5		1
FO0492010	2	4,4	200X120X140	7,9X4,7X5,5		1



WASTE OIL EQUIPMENTS



FILTRATION



FLUID MONITORING



HOSE REELS



ACCESSORIES



MERCHANDISE

INDEX



AIR



ANTIFREEZE



AdBlue®



BIODIESEL



DIESEL



FOOD



GASOLINE



GREASE



KEROSENE



OIL

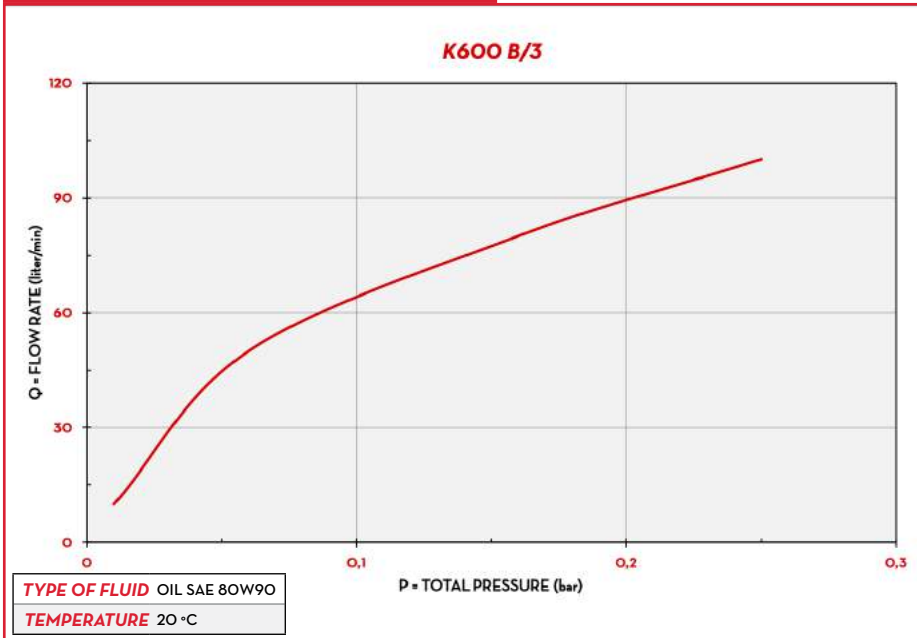


WATER



WINDSCREEN

CHARTS



IN THE BOX

- K600 B/3 METER
- INSTRUCTION MANUAL

DETAILS



RESET BUTTON

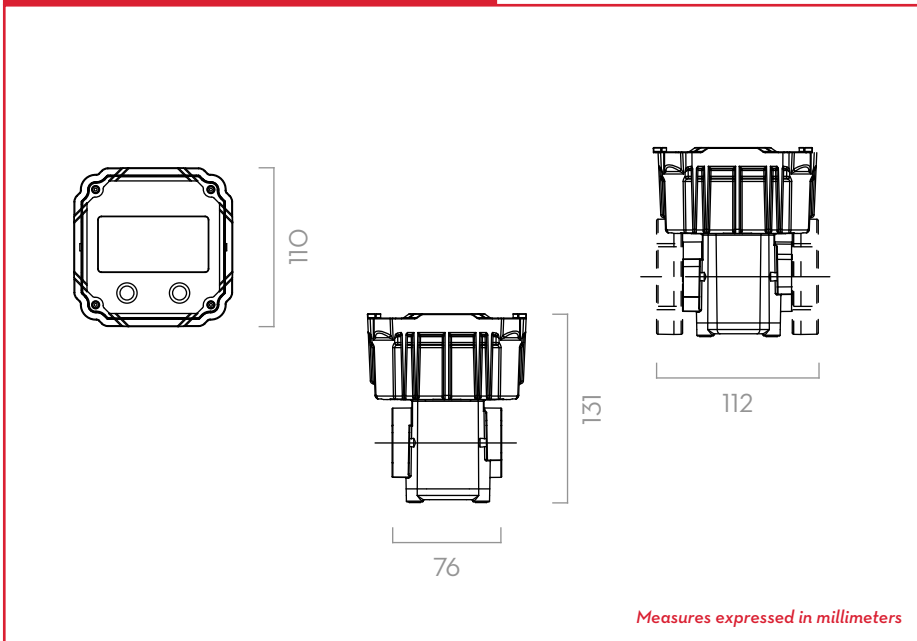


BIG DISPLAY



OVAL GEAR

DIMENSIONS



MATERIALS

- BODY: ALLUMINIUM
- GEARS: TECHNOPOLYMER

TECHNICAL DATA

CODE	DESCRIPTION	FLUIDS TYPE	FLOW-RATE		WORKING PRESSURE		BATTERY INCLUDED NO. 2 X1,5V	FLANGE	INLET OUTLET	INLET FILTER
			L/MIN	GPM	BAR	PSI				
METERS										
FOO491000	K600 B/3	D	10 - 100	2,64 - 26,4	30	426	YES	YES	1" BSP	YES
FOO491010	K600 B/3	O	6 - 60	1,58 - 1,58	70	994	YES	YES	3/4" BSP	YES
PULSE OUT METER										
FOO492000	K600 B/3 WITH PULSE-OUT	D	10 - 100	2,64 - 26,4	30	426	YES	YES	1" BSP	YES
FOO492010	K600 B/3 WITH PULSE-OUT	O	6 - 60	1,58 - 1,58	70	994	YES	YES	3/4" BSP	YES

UPON REQUEST AVAILABLE IN NPTF VERSION AND DISPLAY IN GALLON/QUARTER OR PINT

K600 B/3