



KITS



PUMPS



METERS



METERED NOZZLES



NOZZLES



WASTE OIL EQUIPMENTS

# MA 190

## FEATURES

- IN/OUT SWAPPABLE
- BUILT-IN DIFFUSER
- SUITABLE FOR IMMERSED INSTALLATION
- HEAVY DUTY
- EXPLOSION PROOF (EX ZONE 2)
- EASY TO FIT
- STURDY DESIGN

Designed to guarantee high performance and maximum safety, the PIUSI MA 190 air-operated diaphragm pump for oil is equipped with a sturdy central body, side half-shells and suction and delivery manifolds in aluminum. The top quality diaphragms that represent the core of the system are in NBR and guarantee the transfer of high viscosity oil, even when there can be solid parts in suspension, as can happen with used oil. The system has the advantage of the waterproofing, which is the result of the elimination of any sliding between parts.

### PERFORMANCE

UP TO <b>220 L/MIN</b>	<b>5M</b> MAX CAPACITY
FLOW RATE	SELF PRIMING
MAX <b>7 BAR</b>	MAX <b>Ø 4MM</b>
AIR PRESSURE	PASSING SOLID



MA 190



### PACKAGING

CODE	WEIGHT		PACKAGING			
	KG	LBS	MM	INCH	PCS/PALLET	PCS/BOX
FOO208A20	16	35,3	290X470X460	11,4X18,5X18,1		1



FILTRATION



FLUID MONITORING



TANK MONITORING



HOSE REELS



ACCESSORIES



MERCHANDISE



AIR



ANTIFREEZE



AdBlue®



BIODIESEL



DIESEL



FOOD



GASOLINE



GREASE



KEROSENE



OIL

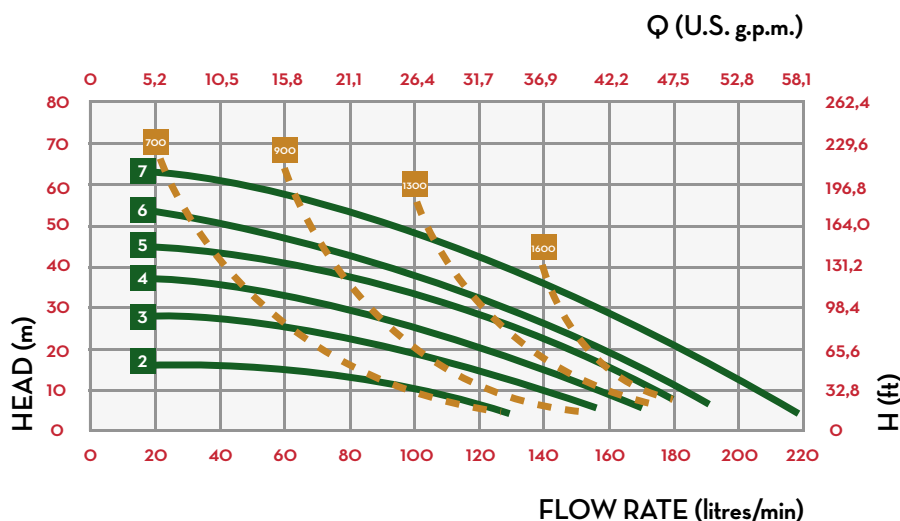


WATER



WINDSCREEN

### CHART



### IN THE BOX

- MA 190 PUMP
- INSTRUCTION MANUAL

### DETAILS



HEAVY DUTY MATERIALS



TECHNOPOLYMER BODY

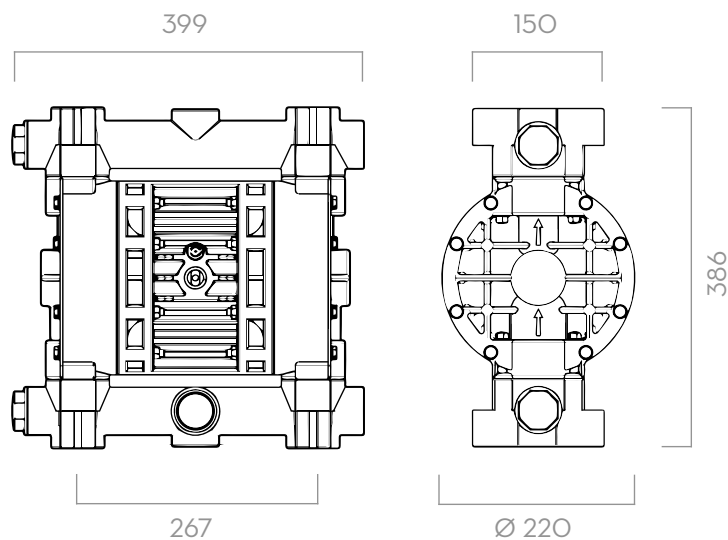


STURDY DESIGN

### MATERIALS

- BODY: TECHNOPOLYMER
- FITTINGS: ALLUMINIUM
- DIAPHRAGMS: TECHNOPOLYMER

### DIMENSIONS



Dimensions expressed in millimeters

### TECHNICAL DATA

CODE	DESCRIPTION	FLUIDS TYPE	PUMP BODY	IN / OUT	FLOW RATE L/MIN	MEMBRANE TYPE	DIAPHRAGM	BALLS	BALL SEATS*	O-RING*	INTAKE / DELIVERY CONNECTION	AIR CONNECTION	MAX SELF-PRIMING CAPACITY	MAX HEAD**	MAX AIR SUPPLY PRESSURE	MAX Ø OF PASSING SOLID
													M	M	BAR	MM
FOO208A20	PIUSI MA 190	O D	ALLUMINIUM	1" 1/4" G	220	SINGLE	NBR	NBR	PPS-V	NBR	G 1" 1/4" F	G 1/2" F	6	70	7	4

(\*) ON REQUEST WE CAN PROVIDE MEMBRANES, BALLS, BALL SEATS AND O-RINGS IN DIFFERENT MATERIALS.  
 (\*\*) THE VALUE DEPENDS ON THE CONFIGURATION OF THE PUMP

# MA 190