



KIT LUBE



DISPENSERS



PUMPS



METERS



NOZZLE METERS



NOZZLES

OIL HOSE REEL

FEATURES

- STURDY METALLIC STRUCTURE
- COMPACT DESIGN
- HEAVY DUTY SPRING
- LONG LASTING STEEL HUB

The Piusi CLOSED HOSE REEL for oil, entirely Made in Italy, is the perfect solution for managing the dispense of any kind of lubricant. Its sturdy closed structure makes this equipment ready to be fitted on a wall or into an open cabinet.

PERFORMANCE

max

60BAR

MAX WORKING PRESSURE

12M

HOSE LENGTH



HOSE REEL CLOSED FOR OIL



PACKAGING

CODE	WEIGHT		PACKAGING			N.BOXES/ EUROPALLET	
	KG	LBS	MM	PCS/PALLET	PCS/BOX		
WITH HOSE							
HC60121200A	19	41,9	550X200X540		1	12	20
WITHOUT HOSE							
HNC60121200	14,5	32,9	550X200X540		1	12	20



WASTE OIL EQUIPMENTS



FILTRATION



FLUID MONITORING



HOSE REELS



ACCESSORIES



MERCHANDISE

INDEX



AIR



ANTIFREEZE



AdBlue®



BIODIESEL



DIESEL



FOOD



GASOLINE



GREASE



KEROSENE



OIL



WATER

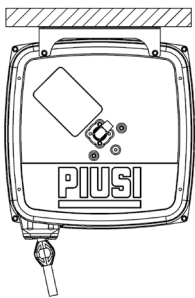


WINDSCREEN

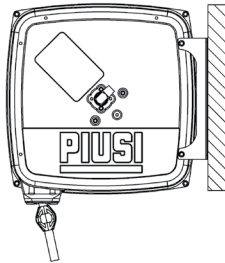
INSTALLATION

Different ways to install PIUSI's hose reels: they can be easily placed wherever you need them without any problem about functionality and safety. PIUSI's products are without a doubt designed to support your work in any condition.

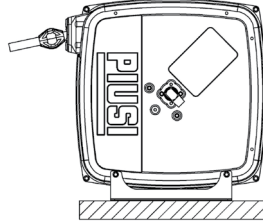
ROOF INSTALLATION



WALL INSTALLATION



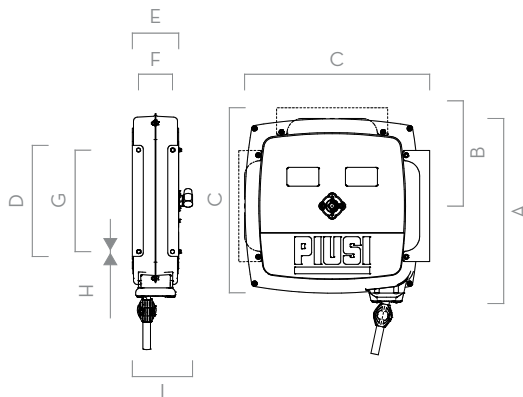
GROUND INSTALLATION



DIMENSIONS

MODEL CLOSE HOSE REEL

MODEL	CLOSE HOSE REEL
A	516
B	259
C	491
D	295
E	123
F	90
G	270
H	10,5
I	160



Measures expressed in millimeters

IN THE BOX

- REEL
- WALL MOUNT BRACKET
- INSTRUCTION MANUAL

DETAILS



4 ROLLS HOSE GUIDE



FIX SUPPORT PLATE



SWIVEL

MATERIALS

- BODY: CAST IRON
- HUB: SYNTHETED STEEL
- TUBE: RUBBER

TECHNICAL DATA

CODE	DESCRIPTION	FLUIDS TYPE	HOSE	MAX WORKING PRESSURE	PRESSURE DROP	INLET WITH SWIVEL	OUTLET HOSETAIL	HOSE MAX LENGHT BOUND	HOSE LENGHT
			BSP	BAR	BAR	BSP	BSP	M	M
WITH HOSE									
HA20151200A	OPEN HOSE REEL 1/2" + 12MT HOSE		1/2"	60	10 @ 30 L/MIN*	1/2" MALE	1/2" MALE	-	12
WITHOUT HOSE									
HNC60121200	CLOSE HOSE REEL 1/2"			60	10 @ 30 L/MIN*	1/2" MALE	1/2" MALE	12	12

(*) PRESSURE DROP FOR OIL 200 CST

OIL HOSE REEL

CLOSED

165