



DISPENSERS



PUMPS



METERS



NOZZLE



FILTRATION



FLUID MONITORING

SELF SERVICE FM

FEATURES

- TICKET PRINTER
- MULTI-USER MANAGEMENT
- WATER CAPTOR FILTER
- TANK LEVEL INDICATOR
- STURDY STRUCTURE
- COMPATIBLE WITH SSM 2018 SOFTWARE
- IP55

The PIUSI SELF SERVICE FM is a dispenser for diesel with integrated OCIO tank level indicator. It is equipped with a high-capacity vane pump, built-in bypass, automatic nozzle, water captor filter and electronic panel able to manage up to 120 users and 255 transactions. It is compatible with SSM2018 software.

PERFORMANCE

UP TO

90 L/MIN

FLOW-RATE

AC

CONTINUOUS DUTY

POWER

± 0,5%

ACCURACY

UP TO

120

USERS



INTEGRATED TICKET PRINTER



SELF SERVICE FM

PACKAGING

CODE	WEIGHT		PACKAGING			N. BOXES / EUROPALLET	
	KG	LBS	MM	INCH	PCS/BOX	✈	🚛
FO07390OC	67	148	1478X488X400	-	1	6*	4
FO07420OC	75	165	1478X488X400	-	1	6*	4
FO0739BOC	57	126	1080X488X400	-	1	6*	4
FO0742BOC	65	143	1080X488X400	-	1	6*	4



HOSE REELS



ACCESSORIES



MERCHANDISE



AIR



ANTIFREEZE



AdBlue®



BIODIESEL



DIESEL



FOOD



GASOLINE



GREASE



KEROSENE



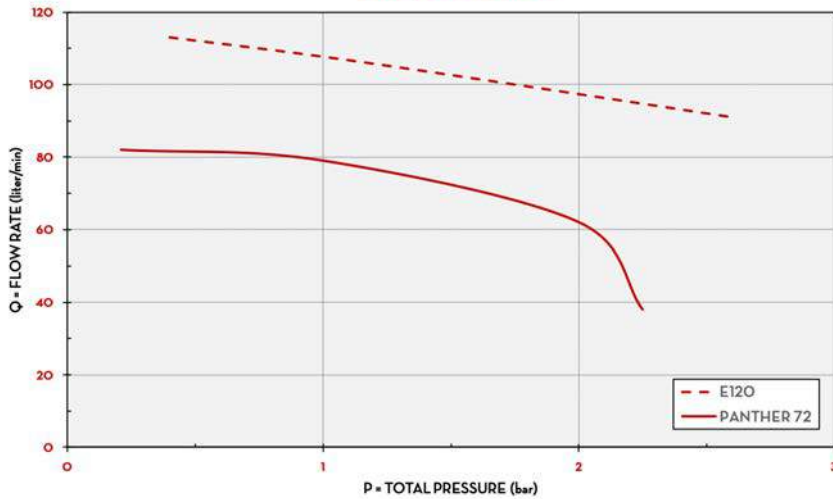
OIL



WATER



WINDSCREEN

CHART**E120 / PANTHER 72**

TYPE OF FLUID DIESEL

TEMPERATURE 13-20 °C

IN THE BOX

- SELF SERVICE FM UNIT
- DELIVERY HOSE
- AUTOMATIC NOZZLE
- INSTRUCTION MANUAL

DETAILS

TANK VERSION AVAILABLE



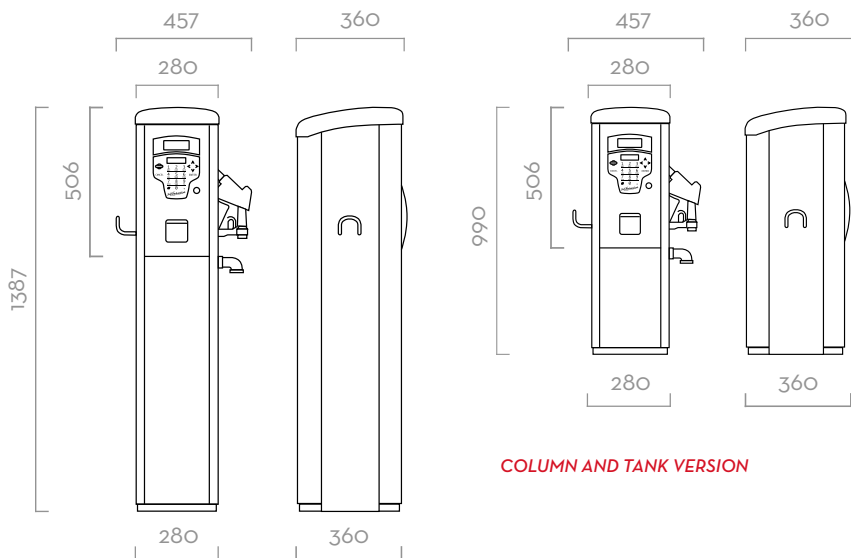
WATER CAPTOR FILTER (pag. 128)



DRIVER KEY (not included)



SSM 2018 (pag. 148)

DIMENSIONS

COLUMN AND TANK VERSION

Dimensions expressed in millimeters

MATERIALS

- **PUMPS:**
E80 / E120 PAG. 68
- **METER:**
K600/3 PAG. 96
- **NOZZLE:**
AUTOMATIC NOZZLE PAG. 118
- **FILTER:**
WATER CAPTOR PAG. 128

TECHNICAL DATA

CODE	DESCRIPTION	FLUIDS TYPE	FLOW-RATE		VOLTAGE			PUMP	METER	NOZZLE	FILTER		INLET	PC
			L/MIN	GPM	AC V/HZ	DC VOLT	POWER WATT				AMP. MAX.	H2O FILTER		
FO073900C	SELF SERVICE 70 FM	D	70	18	230/50	550	3,3	PANTH 72	K600	AUT.	YES	30µ	1" 1/2	YES
FO074200C	SELF SERVICE 100 FM	D	90	24	230/50	1150	5,7	E 120	K600	AUT.	YES	30µ	1" 1/2	YES
FO0739B0C	SELF SERVICE 70 FM TANK	D	70	18	230/50	550	3,3	PANTH 72	K600	AUT.	NO	-	1" 1/2	YES
FO0742B0C	SELF SERVICE 100 FM TANK	D	90	24	230/50	1150	5,7	E 120	K600	AUT.	NO	-	1" 1/2	YES

UPON REQUEST IT IS AVAILABLE WITH DIFFERENT VOLTAGES AND 60 HZ FREQUENCY