



DISPENSERS



PUMPS



METERS



NOZZLE



FILTRATION



FLUID MONITORING

SELF SERVICE K44

FEATURES

- ALL-IN-ONE EQUIPMENT
- WATER CAPTOR FILTER
- COMPACT DESIGN
- IP55

The PIUSI SELF SERVICE K44 is a fuel dispenser unit equipped with a high capacity vane pump, built-in bypass valve and mechanical K44 meter particularly suitable for all the needs of high-flow rate diesel dispensing while guaranteeing that the dispensed product is free of water and impurities thanks to the integrated filter (column version). Available both as column or tank version, it features a front door for easy maintenance.

PERFORMANCE

UP TO

90 L/MIN

FLOW-RATE

AC

CONTINUOUS DUTY

POWER

± 1%

ACCURACY



MECHANICAL METER INTEGRATED



SELF SERVICE K44

PACKAGING

CODE	WEIGHT		PACKAGING			N. BOXES / EUROPALETTE	
	KG	LBS	MM	INCH	PCS/BOX	✕	
COLUMN VERSIONS							
FO073701B	67	148	1478X488X400	-	1	6*	4
FO074001B	75	165	1478X488X400	-	1	6*	4
FO074002A	75	165	1478X488X400	-	1	6*	4
TANK VERSIONS							
FO0737B0B	57	126	1080X488X400	-	1	6*	4
FO0740B0B	65	143	1080X488X400	-	1	6*	4
FO0737B2B	57	126	1080X488X400	-	1	6*	4



HOSE REELS



ACCESSORIES



MERCHANDISE



AIR



ANTIFREEZE



AdBlue®



BIODIESEL



DIESEL



FOOD



GASOLINE



GREASE



KEROSENE



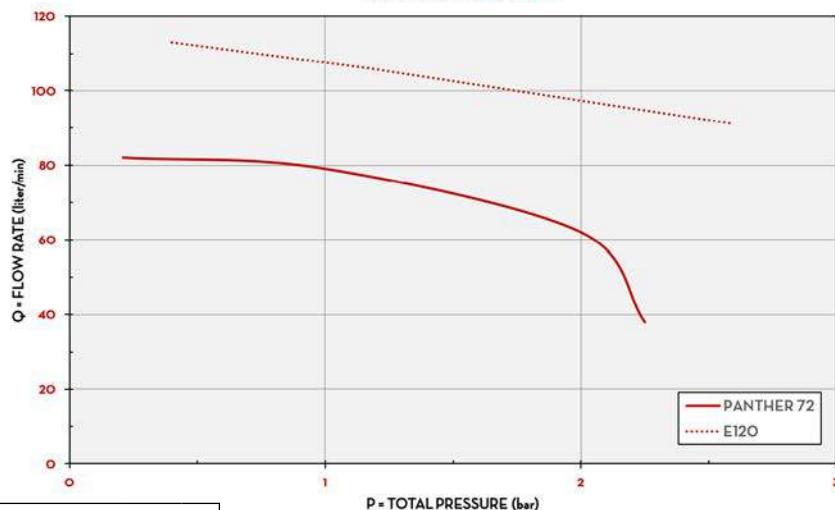
OIL



WATER



WINDSCREEN

CHART**PANTHER 72 / E120**

TYPE OF FLUID DIESEL

TEMPERATURE 20-13 °C

P - TOTAL PRESSURE (bar)

IN THE BOX

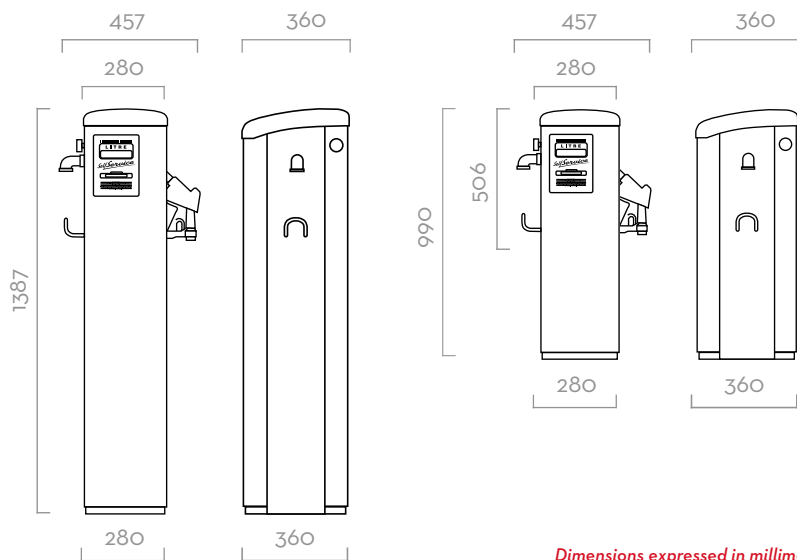
- K44 UNIT
- DELIVERY HOSE
- AUTOMATIC NOZZLE
- INSTRUCTION MANUAL

DETAILS

K44 (pag. 108)



INTEGRATED FILTER (pag. 128)

DIMENSIONS

Dimensions expressed in millimeters

COMPONENTS

- **PUMPS:**
PANTHER 72 / E120 PAG. 64/68
- **METER:**
K600/3 PAG. 96
- **NOZZLE:**
AUTOMATIC NOZZLE PAG. 118
- **FILTER:**
WATER CAPTOR PAG. 128

TECHNICAL DATA

CODE	DESCRIPTION	FLUIDS TYPE	FLOW-RATE		VOLTAGE			PUMP TYPE	METER TYPE	NOZZLE TYPE	FILTER		INLET BSP	PC CONNECTION
			L/MIN	GPM	AC V./HZ DC VOLT	POWER WATT	AMP. MAX.				H2O FILTER	FILTERING CAPACITY		
COLUMN VERSIONS														
FO073701B	SELF SERVICE 70 K44	D	70	18	230/50	550	3,3	PANTH 72	K44	AUT.	YES	30μ	1" 1/2	NO
FO074001B	SELF SERVICE 100 K44	D	90	24	230/50	1150	5,7	E 120	K44	AUT.	YES	30μ	1" 1/2	NO
FO074002A	SELF SERVICE 100 K44 PULSER	D	90	24	230/50	1150	5,7	E 120	K44 P	AUT.	YES	30μ	1" 1/2	NO
TANK VERSIONS														
FO0737BOB	SELF SERVICE 70 K44 TANK	D	70	18	230/50	550	3,3	PANTH 72	K44	AUT.	NO	-	1" 1/2	NO
FO0740BOB	SELF SERVICE 100 K44 TANK	D	90	24	230/50	1150	5,7	E 120	K44	AUT.	NO	-	1" 1/2	NO
FO0737B2B	SELF SERVICE 70 K44 TANK PULSER	D	70	18	230/50	550	3,3	PANTH 72	K44 P	AUT.	NO	-	1" 1/2	NO

UPON REQUEST IT IS AVAILABLE WITH DIFFERENT VOLTAGES AND 60 HZ FREQUENCY

SELF SERVICE K44