



DISPENSERS



PUMPS



METERS



NOZZLE



FILTRATION



FLUID MONITORING

SELF SERVICE MC

FEATURES

- MULTI-USER MANAGEMENT
- WATER CAPTOR FILTER
- ALL-IN-ONE EQUIPMENT
- COMPACT DESIGN
- COMPATIBLE WITH SSM 2018 SOFTWARE
- IP55

The PIUSI SELF SERVICE MC is a complete device suitable to fit all diesel-dispensing needs. With its sturdy structure, this dispenser is equipped with a high capacity vane pump, built-in bypass, automatic nozzle, water captor filter and electronic panel able to manage up to 80 users and 255 transactions.

PERFORMANCE

UP TO

90 L/MIN

FLOW-RATE

AC

CONTINUOUS DUTY

POWER

± 0,5%

ACCURACY

UP TO

80

USERS




ELECTRONIC METER INTEGRATED



SELF SERVICE MC

PACKAGING

CODE	WEIGHT		PACKAGING			N. BOXES / EUROPALLET	
	KG	LBS	MM	INCH	PCS/BOX	✕	
COLUMN VERSIONS							
FO073801D	67	148	1478X488X400	-	1	6*	4
FO074101D	75	165	1478X488X400	-	1	6*	4
FO073806A	75	148	1478X488X400	-	1	6*	4
TANK VERSIONS							
FO0738B0D	57	126	1080X488X400	-	1	6*	4
FO0741B0D	65	143	1080X488X400	-	1	6*	4



HOSE REELS



ACCESSORIES



MERCHANDISE



AIR



ANTIFREEZE



AdBlue®



BIODIESEL



DIESEL



FOOD



GASOLINE



GREASE



KEROSENE



OIL



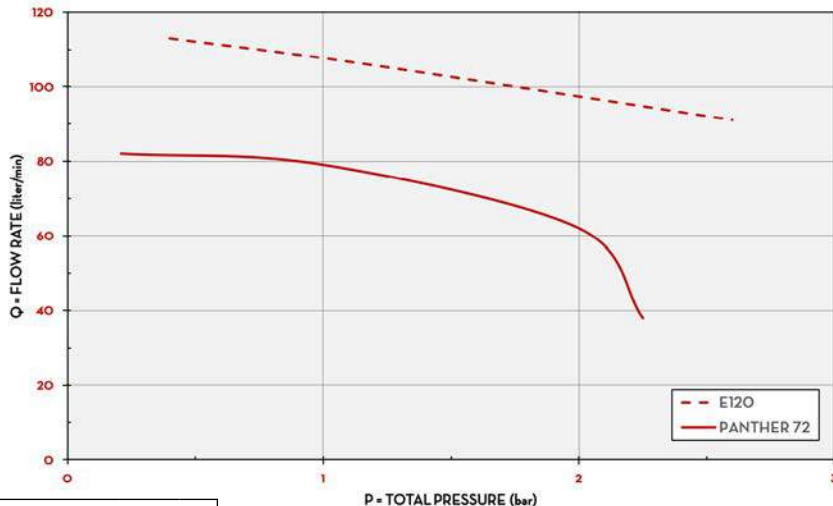
WATER



WINDSCREEN

CHART

E120 / PANTHER 72



TYPE OF FLUID DIESEL

TEMPERATURE 13-20 °C

IN THE BOX

- SELF SERVICE MC UNIT
- DELIVERY HOSE
- AUTOMATIC NOZZLE
- INSTRUCTION MANUAL

DETAILS



TANK VERSION AVAILABLE



WATER CAPTOR FILTER (pag. 128)

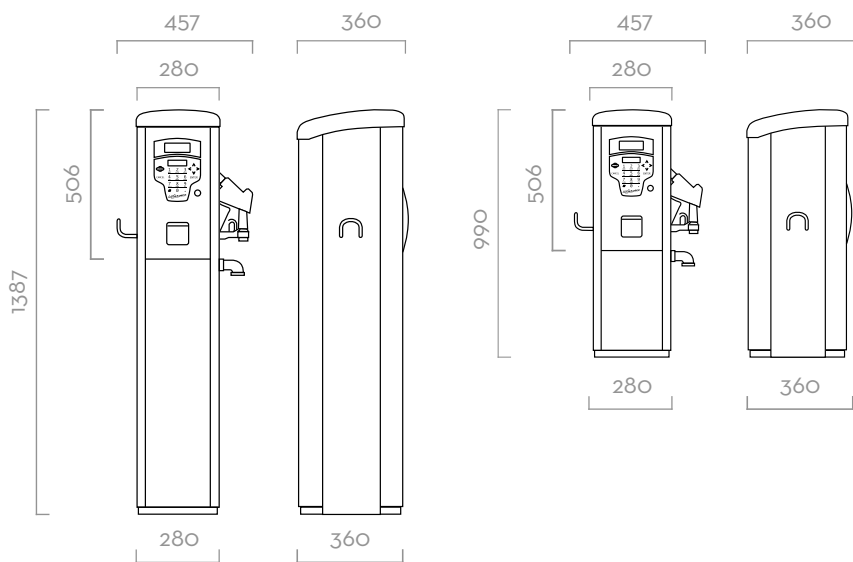


DRIVER KEY (not included)



SSM 2018 (pag. 148)

DIMENSIONS



Dimensions expressed in millimeters

COMPONENTS

- **PUMPS:**
PANTHER 72 / E120 PAG. 64/68
- **METER:**
K600/3 PAG. 96
- **NOZZLE:**
AUTOMATIC NOZZLE PAG. 118
- **FILTER:**
WATER CAPTOR PAG. 128

TECHNICAL DATA

CODE	DESCRIPTION	FLUIDS TYPE	FLOW-RATE		VOLTAGE			PUMP TYPE	METER TYPE	NOZZLE TYPE	FILTER		INLET BSP	PC CONNECTION
			L/MIN	GPM	AC V./HZ DC VOLT	POWER WATT	AMP. MAX.				H2O FILTER	FILTERING CAPACITY		
COLUMN VERSIONS														
FO073801D	SELF SERVICE 70 MC F	D	70	18	230/50	900	4,2	PANTH 72	K600	AUT.	YES	30µ	1" 1/2	YES
FO074101D	SELF SERVICE 100 MC F	D	90	24	230/50	1150	5,7	E 120	K600	AUT.	YES	30µ	1" 1/2	YES
FO073806A	SELF SERVICE 70 MC F PRINTER*	D	70	18	230/50	900	4,2	PANTH 72	K600	AUT.	YES	30µ	1" 1/2	YES
TANK VERSIONS														
FO0738B0D	SELF SERVICE 70 MC TANK	D	70	18	230/50	900	3,3	PANTH 72	K600	AUT.	NO	-	1" 1/2	YES
FO0741B0D	SELF SERVICE 100 MC TANK	D	90	24	230/50	1150	5,7	E 120	K600	AUT.	NO	-	1" 1/2	YES

*WITH 7M HOSE. UPON REQUEST IT IS AVAILABLE WITH DIFFERENT VOLTAGES AND 60 HZ FREQUENCY