



KIT LUBE



DISPENSERS



PUMPS



METERS



NOZZLE METERS



NOZZLES

VISCO FLOWMAT

FEATURES

- ON DEMAND FLOW
- ELECTRONIC PRESSUR SWITCH
- BUILT-IN SECURITY VALVE
- HIGH PRESSURE

The Piusi VISCO-FLOWMAT is an electric gear pump suitable for transferring high viscosity oils. This self-priming pump is equipped with a pressure switch that features an automatic pump switch-off at the end of the delivery.

PERFORMANCE

up to

2000

cSt

VISCOSITY

up to

14 L/MIN

from 9-14 l/min

FLOW RATE

BELOW

70 DB

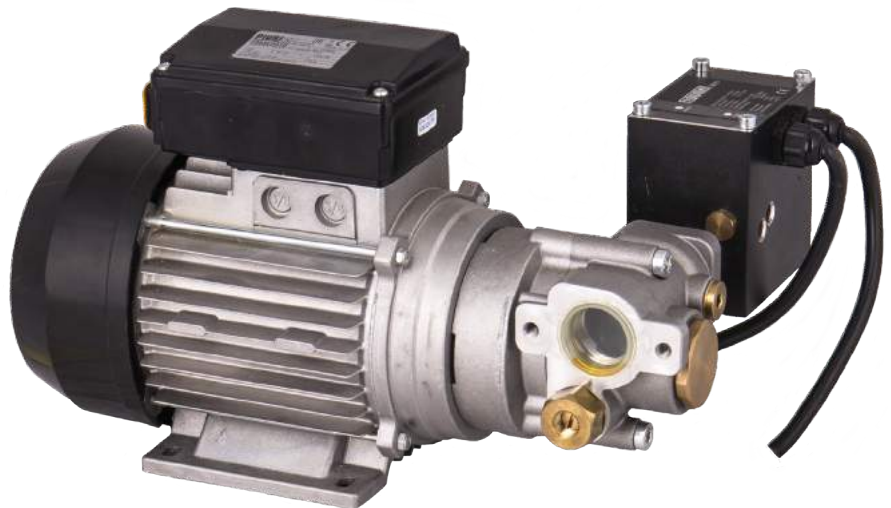
NOISE LEVEL**

up to

25 BAR

from 12-25 bar

PRESSURE



VISCO-FLOWMAT



PACKAGING

CODE	WEIGHT		PACKAGING			
	KG	LBS	MM	INCH	PCS/PALLET	PCS/BOX
FO030200D	12	26,5	360X360X300	14,2X14,2X11,8		1
FO030204D	15	33,1	360X360X300	14,2X14,2X11,8		1
FO030206D	15	33,1	360X360X300	14,2X14,2X11,8		1



WASTE OIL EQUIPMENTS



FILTRATION



FLUID MONITORING



HOSE REELS



ACCESSORIES



MERCHANDISE

INDEX



AIR



ANTIFREEZE



AdBlue®



BIODIESEL



DIESEL



FOOD



GASOLINE



GREASE



KEROSENE



OIL



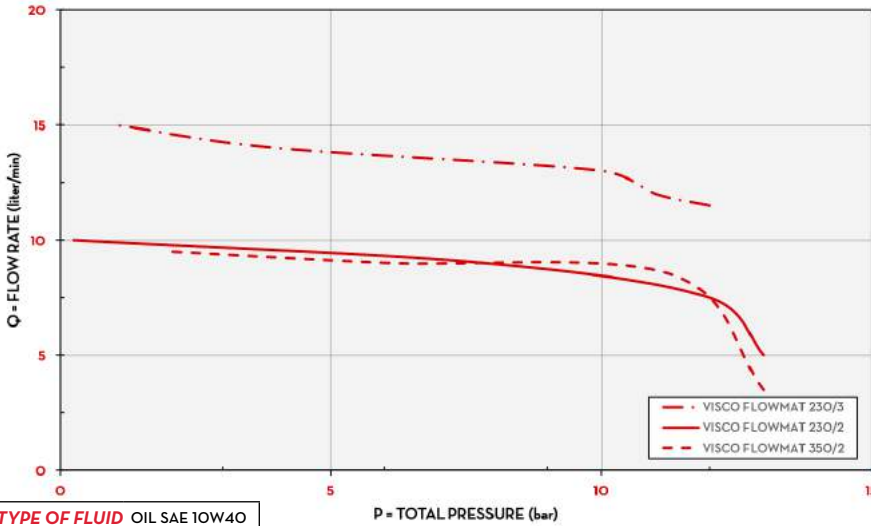
WATER



WINDSCREEN

CHARTS

VISCO FLOWMAT



TYPE OF FLUID OIL SAE 10W40
TEMPERATURE 20 °C

P = TOTAL PRESSURE (bar)

IN THE BOX

- KIT PRIMING DEVICE
- KIT FLOWMAT
- VISCOMAT GEAR PUMP
- INSTRUCTION MANUAL

DETAILS



ADJUSTABLE BYPASS

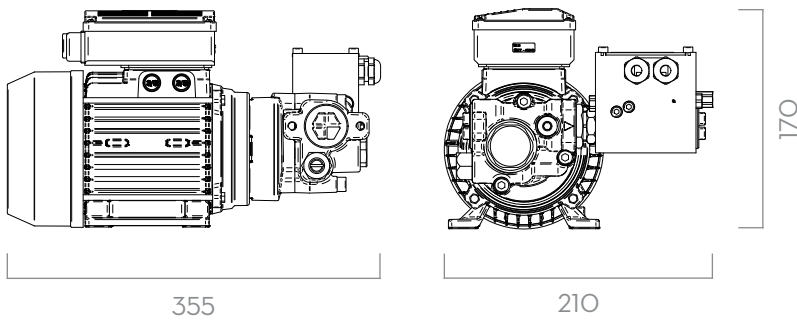


ON/OFF SWITCH



PRESSURE SWITCH

DIMENSIONS



Measures expressed in millimeters

MATERIALS

- BODY: CAST IRON
- GEARS: SINTERED STEEL
- SHAFT: STEEL
- BYPASS: BRASS

TECHNICAL DATA

CODE	DESCRIPTION	FLUIDS TYPE	FLOW-RATE		WORKING PRESSURE		VOLTAGE			RPM	INLET OUTLET BSP	BYPASS VALVE
			L/MIN	GPM	BAR	PSI	MOTOR V./ HZ	POWER WATT	AMP. MAX.			
FO030200D	VISCO FLOWMAT 200/2	⊙	9	2,4	12	170	230/50/60	800	3,8	1450	1" BSP	YES
FO030204D	VISCO FLOWMAT 230/3	⊙	14	3,7	16	227	230/50	1200	6	1450	1" BSP	YES
FO030206D	VISCO FLOWMAT 350/2	⊙	9	2,4	25	355	230/50	1250	6	1450	1" BSP	YES

UPON REQUEST IT IS AVAILABLE WITH DIFFERENT VOLTAGE AND FREQUENCY

VISCO FLOWMAT

ELECTRIC PUMPS

39