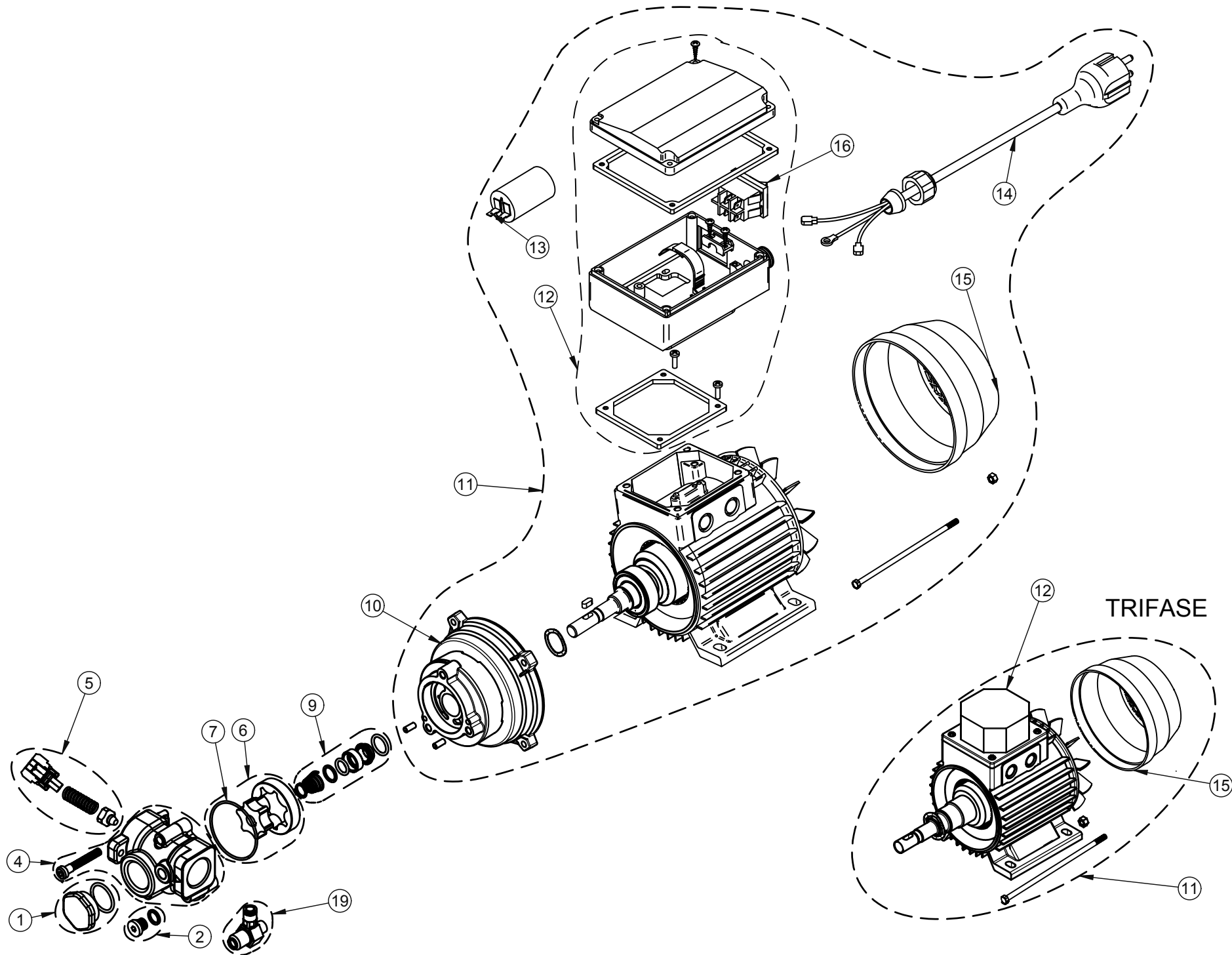




VISCOMAT 230/3 MONOFASE 230V/50Hz  
VISCOMAT 230/3 TRIFASE 400V/50Hz  
VISCOMAT 350/2 MONOFASE 230V/50Hz  
VISCOMAT 350/2 TRIFASE 400V/50Hz  
VISCOMAT 200/2 MONOFASE 230V/50Hz  
VISCOMAT 200/2 TRIFASE 400V/50Hz

LR\_P00022



Spare Parts List cod. 000304030 VISCOMAT 200/2 M 230V/50HZ + FEET

Pos.	Material Code	Description	QT	UM			
0001	R13851000	GROUP PLUG 1G + GASKET	1	PC			
0002	R13852000	KIT PLUG 1/4G + WASHER	1	PC			
0004	R13853000	KIT HEAD GEAR PUMP 350/2 - 200/2	1	PC			
0005	R13855000	GROUP BY-PASS VALVE VISCOMAT 230/3 200/2	1	PC			
0006	R13857000	KIT ROTOR VISCOMAT 350/2 -200/2	1	PC			
0007	R10273000	GASKET O-RING (d.60,05 sp.1,78) 70 SH	1	PC			
0008	R10276000	GASKET O-RING (d.17.12 sp.2.62) NBR 70SH	1	PC			
0009	R13859000	KIT MECHANICAL SEALING	1	PC			
0010	R13865000	KIT ASSEMBLING MEC71 200/2	1	PC			
0011	R13866000	KIT MOTOR VISCOMAT 230/50 -200/2-	1	PC			
0012	R0819500A	KIT TERMINAL BOX 0.5/0.7HP 230/50	1	PC			
0013	R08193000	KIT CONDENSER 16uF MOTOR 0.7 HP	1	PC			
0014	R12909000	SUPPLY CABLE WITH PLUG	1	PC			
0015	R08181000	KIT FAN COVER MOTOR MEC71	1	PC			
0016	R07667000	2POLES SWITCH COMELUX MD 4010 I 3502 B01	1	PC			
0019	R1127400A	KIT PRIMING DEVICE G1/4in	1	PC			

Prices and data are not binding and can be changed without notice