



KIT LUBE



DISPENSER



PUMPS



METERS



NOZZLE METERS



NOZZLES

# VISCOTROLL GEAR

## FEATURES

- ON DEMAND FLOW
- ADJUSTABLE BYPASS
- SUPER SILENT
- READY TO USE
- OVAL GEAR METER
- STURDY DESIGN CART

The Piusi Viscotroll Gear is a mobile oil dispenser suitable to dispense medium/high viscosity lubricants. This versatile mobile cart is available in AC/DC version both powered by Piusi Viscomat pump.

## PERFORMANCE

up to

**9 L/MIN**

(up to 2,4gpm)

FLOW RATE

up to

**2000 cSt**

VISCOSITY

**± 0,5%**

ACCURACY

BELOW

**65 DB**

NOISE LEVEL



VISCOTROLL GEAR AC



VISCOTROLL GEAR DC



## PACKAGING

CODE	WEIGHT		PACKAGING			
	KG	LBS	MM	INCH	PCS/PALLET	PCS/BOX
<b>VISCOTROLL DC 120/1</b>						
FOO263200	57	125,7	1090X690X320	42,9X27,2X12,6		1
FOO263210	58	125,9	1090X690X320	42,9X27,2X12,6		1
<b>VISCOTROLL AC 200</b>						
FOO26300D	34	75	1090X690X300	42,9X27,2X11,8		1
FOO26301D	35	77	1090X690X300	42,9X27,2X11,8		1
FOO26302D	36	79,4	1090X690X300	42,9X27,2X11,8		1
FOO26303D	37	81,6	1090X690X300	42,9X27,2X11,8		1



WASTE OIL EQUIPMENTS



FILTRATION



FLUID MONITORING



HOSE REELS



ACCESSORIES



MERCHANDISE

INDEX



AIR



ANTIFREEZE



AdBlue®



BIODIESEL



DIESEL



FOOD



GASOLINE



GREASE



KEROSENE



OIL

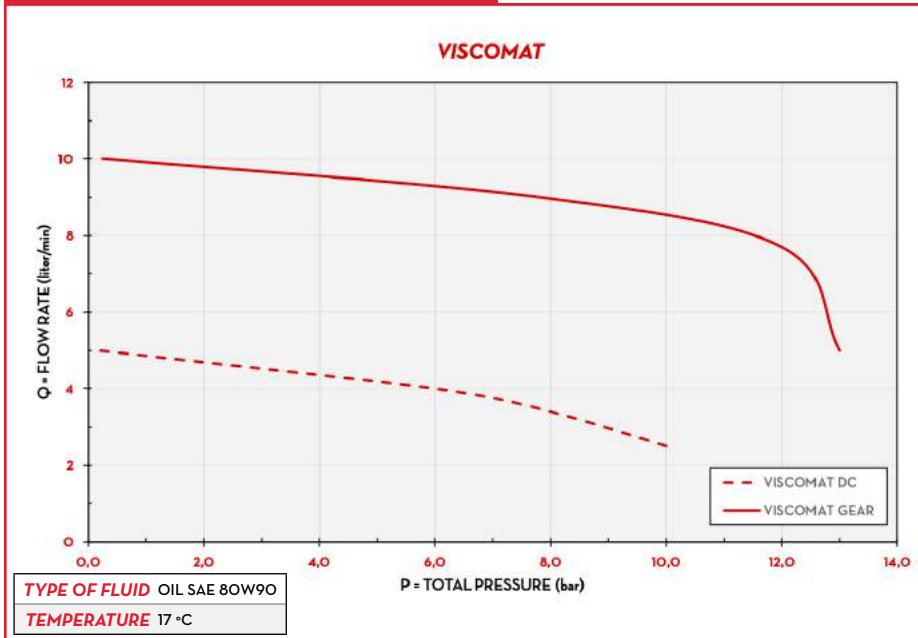


WATER



WINDSCREEN

## CHARTS



## IN THE BOX

- SWIVEL PROTECTION (VISCOTROLL 200 MODELS)
- VISCOMAT PUMP
- INLINE VALVE
- EASYOIL / EASY K400 NOZZLE
- BATTERY CHARGERT
- BATTERY CHARGER (ONLY DC VERSION)
- CART
- KIT FOOT VALVE
- INSTRUCTION MANUAL

## DETAILS



GEAR PUMP

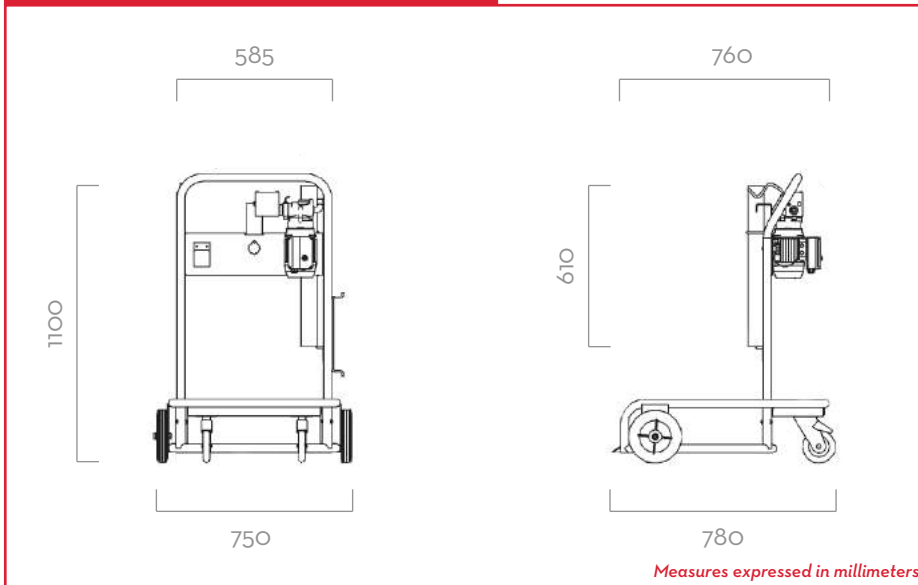


PRESSURE SWITCH



BATTERY CHARGER

## DIMENSIONS



## COMPONENTS / MATERIALS

- **PUMP:**
  - VISCOMAT GEAR PAG. 36
  - VISCOMAT DC PAG. 40
  - VISCO FLOWMAT PAG. 38
- **NOZZLE METERS:**
  - EASY K400 PAG. 90
- **NOZZLE:**
  - EASY OIL PAG. 106

## TECHNICAL DATA

CODE	DESCRIPTION	FLUIDS TYPE	FLOW-RATE		VISCOSITY CST MAX.	VOLTAGE			METER MOD.	PUMP MOD.	NOZZLE TYPE	PRESSURE SWITCH	BATTERY CHARGER VOLT
			L/MIN	GPM		AC V/HZ	DC VOLT	POWER WATT					
<b>VISCOTROLL DC 120/1</b>													
FO0263200	VISCOTROLL 120/1 DC PST.	⊙	6	1,6	2000	12	360	30	-	VISCOMAT 120/1 DC	EASYOIL	YES	230
FO0263210	VISCOTROLL 120/1 DC PST.K 400	⊙	6	1,6	2000	12	360	30	K400	VISCOMAT 120/1 DC	EASY K400	YES	230
<b>VISCOTROLL AC 200</b>													
FO026300D	VISCOTROLL 200/2 AC	⊙	9	2,4	2000	230/50	800	3,8	-	VISCOMAT GEAR 200/2	EASYOIL	YES	-
FO026301D	VISCOTROLL 200/2 AC - K400	⊙	9	2,4	2000	230/50	800	3,8	K400	VISCOMAT GEAR 200/2	EASY K400	YES	-
FO026302D	VISCOTROLL 200/2 AC - PST	⊙	9	2,4	2000	230/50	800	3,8	-	VISCO-FLOWMAT 200/2	EASYOIL	YES	-
FO026303D	VISCOTROLL 200/2 AC - PST - K400	⊙	9	2,4	2000	230/50	800	3,8	K400	VISCO-FLOWMAT 200/2	EASY K400	YES	-

# VISCOTROLL GEAR

MOBILE

25