



KIT LUBE



DISPENSER



PUMPS



METERS



NOZZLE METERS



NOZZLES

VISCOTROLL VANE

FEATURES

- HIGH CAPACITY PUMP
- READY TO USE
- NUTATING DISC FLOW METER (K33 ONLY)
- STURDY DESIGN CART

The Piusi Viscotroll Vane is a mobile oil dispenser suitable to transfer low viscosity lubricants. This versatile mobile cart includes the AC powered Piusi Viscomat pump, and Self 3000 manual nozzle.

PERFORMANCE

up to

25 L/MIN

(up to 7gpm)

FLOW RATE

up to

500 cSt

VISCOSITY

± 1%

ACCURACY

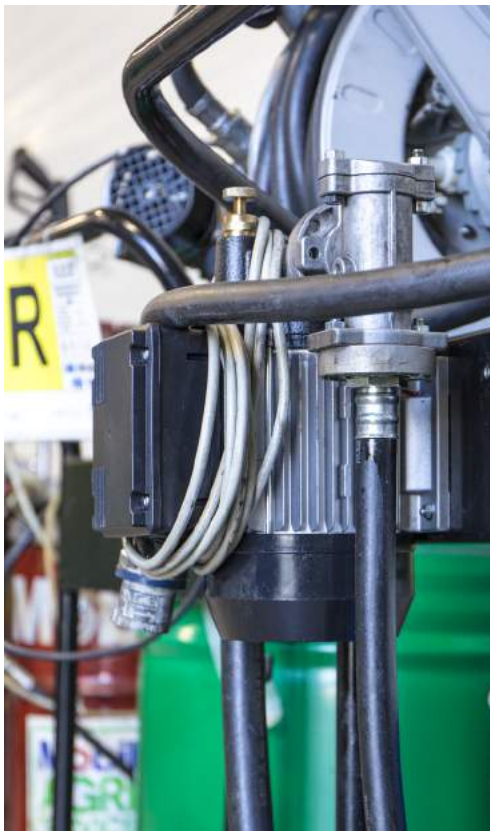
BELOW

70 DB

NOISE LEVEL



VISCOTROLL VANE



PACKAGING

CODE	WEIGHT		PACKAGING			
	KG	LBS	MM	INCH	PCS/PALLET	PCS/BOX
VISCOTROLL						
000263100	34	75	1090X690X300	42,9X27,2X11,8		1
000263110	36	79.4	1090X690X300	42,9X27,2X11,8		1



WASTE OIL EQUIPMENTS



FILTRATION



FLUID MONITORING



HOSE REELS



ACCESSORIES



MERCHANDISE

INDEX



AIR



ANTIFREEZE



AdBlue®



BIODIESEL



DIESEL



FOOD



GASOLINE



GREASE



KEROSENE



OIL

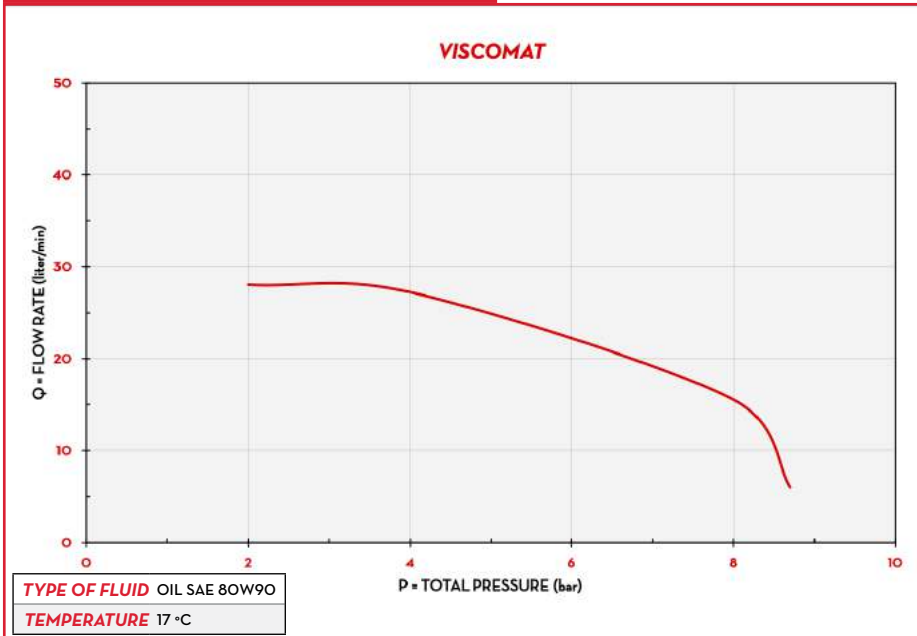


WATER



WINDSCREEN

CHARTS



IN THE BOX

- VISCOMAT PUMP
- KIT FOOT VALVE
- SELF 3000 NOZZLE
- INSTRUCTION MANUAL
- CART

DETAILS



ON/OFF SWITCH

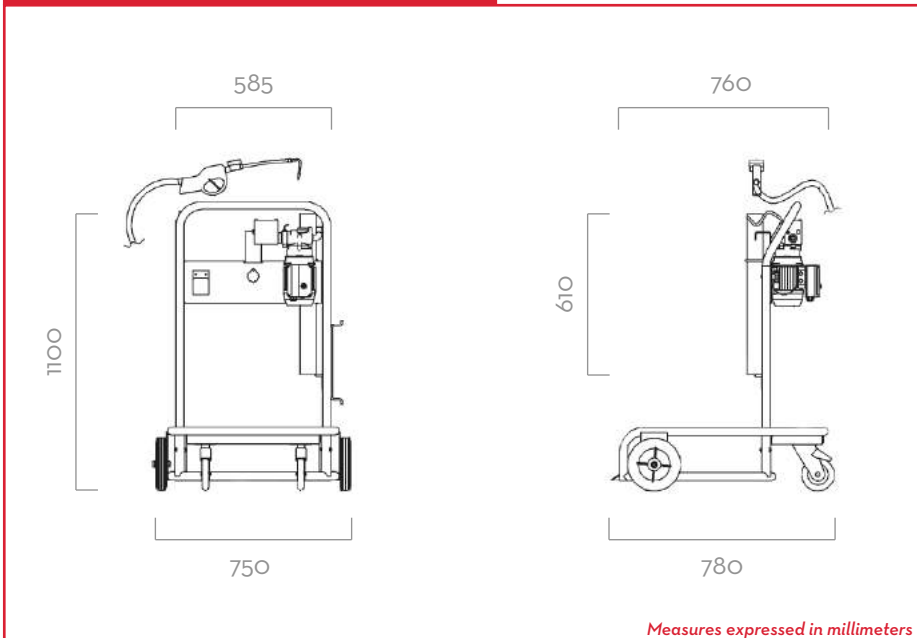


FOOT VALVE



SELF3000 MANUAL NOZZLE

DIMENSIONS



COMPONENTS / MATERIALS

- **PUMP:**
VISCOMAT VANE PAG. 34
- **METERS:**
K33 PAG. 84
- **NOZZLE, SELF 3000:**
BODY: ALLUMINIUM
SEAL: VITON

TECHNICAL DATA

CODE	DESCRIPTION	FLUIDS TYPE	FLOW-RATE		VISCOSITY CST MAX.	VOLTAGE			METER MOD.	PUMP MOD.	NOZZLE TYPE
			L/MIN	GPM		AC V./HZ DC VOLT	POWER WATT	AMP. MAX.			
000263100	VISCOTROLL 70	⊙	25	6,6	500	230/50	750	4,6	-	VISCOMAT 70M	SELF 3000
000263110	VISCOTROLL 70/K33	⊙	25	6,6	500	230/50	750	4,6	K33	VISCOMAT 70M	SELF 3000

UPON REQUEST IT IS AVAILABLE WITH DIFFERENT VOLTAGE AND FREQUENCY

VISCOTROLL VANE

MOBILE

23